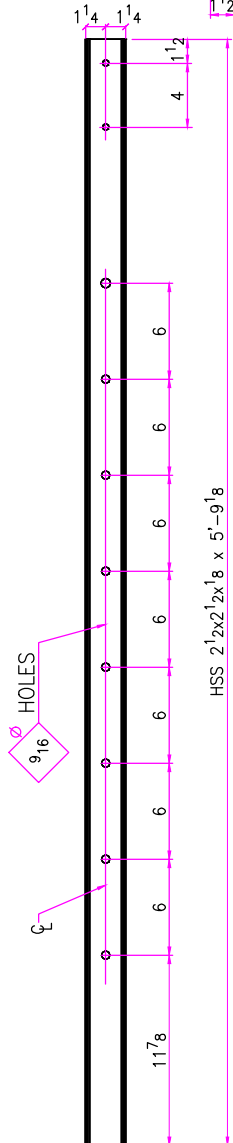
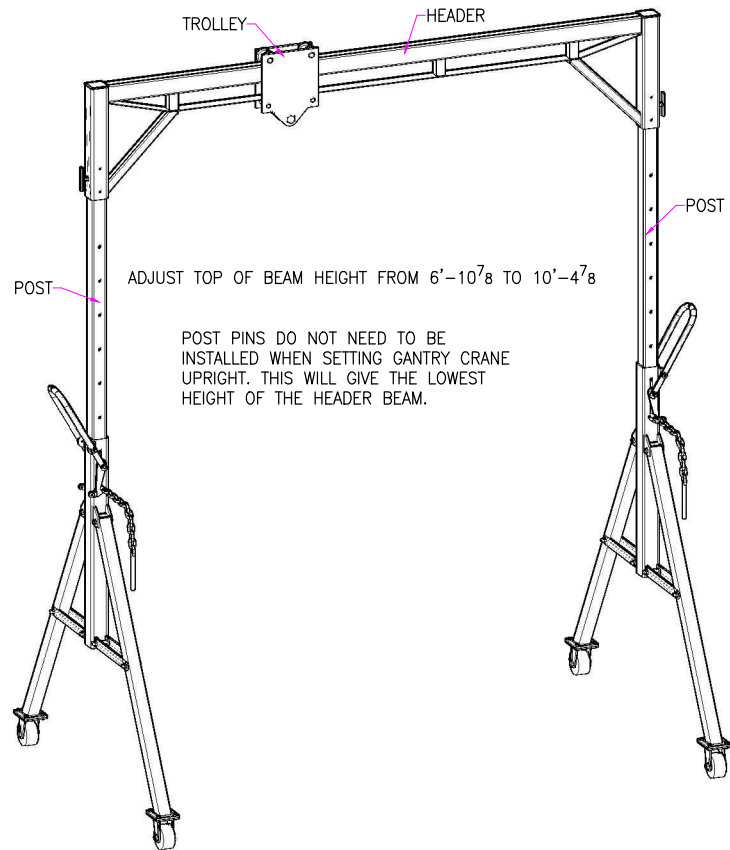


HEADER  
ONE



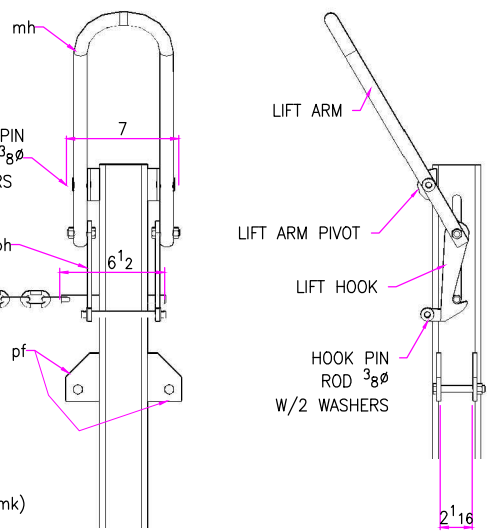
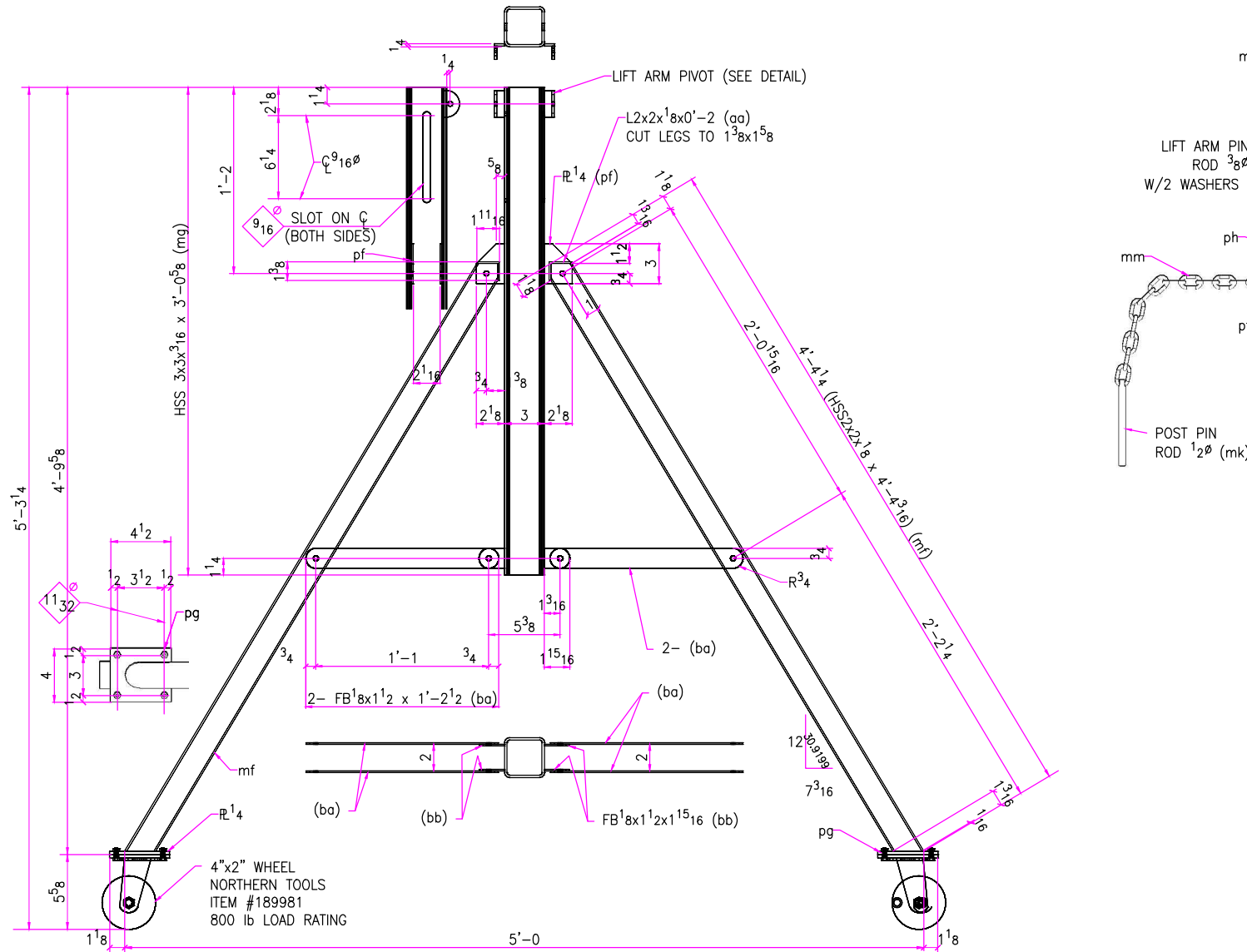
POST  
2

QUANTITY	SHIPPING MARK	DESCRIPTION	FEET	INCHES	ASSEMBLY MARK	REMARKS	TOTAL WEIGHT
ONE		HEADER					
2		HSS 3x3x1/8	1	7 1/2		ma	22.3
2		HSS 1 1/2x1 1/2x1/8	1	6 1/2		mb	6.6
4		HSS 1 1/2x1 1/2x1/8	0	2 1/8		mc	2.1
ONE		HSS 3x2x1/8	8	0		md	31.2
2		R 1 1/8x3	0	3		pa	0.6
ONE		FB 1 1/8 x 2	8	7		pb	7.3
2		FB 1 1/8 x 3/4	0	1 1/2		pc	0.1
4		BOLT 3/8 W/NUT	0	4			
2		BOLT 3/8 W/NUT	0	1			
2		FB 1/4 x 1/2	0	4		bd	0.3
2	POST	HSS 2 1/2x2 1/2x1/8	5	9 1/8			44.0
TOTAL WEIGHT:							114.5

**ASD** AutoSD Steel Detailing  
Meridian, Mississippi

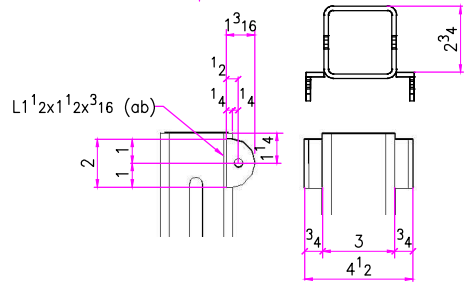
PROJECT	1 1/2 TON GANTRY CRANE				
LOCATION	MERIDIAN, MS				
DETAIL OF	HEADER & POST USING 2 1/2 SQUARE TUBE				
REVISIONS					
HOLES	PAIN	DRAWN	CHECKED	SHEET #	JOB #
13 3/20		CRH		ONE	

UNLESS NOTED



QUANTITY	SHIPPING MARK	DESCRIPTION	FEET	INCHES	ASSEMBLY MARK	REMARKS	TOTAL WEIGHT
4		LEGS & BRACE					
4		HSS 2x2x1/8	4	4 3/16	mf		53.1
2		HSS 3x3x3/16	3	0 5/8	mg		41.9
4		L2x2x1/8	0	2	aa		1.1
8		FB 8x1 1/2	1	2 1/2	ba		6.2
8		FB 8x1 1/2	0	11 5/16	bb		0.8
4		R 1/4x4	0	4 1/2	pg		5.1
4		L 1 1/2x1 1/2x1/16	0	2	ab		1.2
4		BOLT 3/8 W/NUT	0	1 1/2			
12		BOLT 3/8 W/NUT	0	3			
16		BOLT 3/16 W/NUT	0	1			
2		LIFT					
4		FB 1/4x1 5/8	0	6 1/4	ph		2.9
4		FB 1/4x3/4	0	1 3/8	pk		0.3
2		PS 1/2Ø	3	0	mh		5.1
4		ROD 1/2Ø	0	6 1/2	mk		1.4
2		CHAIN 2/0	1	6	mm		
2		ROD 3/8Ø	0	5 1/4			0.3
2		ROD 3/8Ø	0	7			0.4
8		3/8Ø WASHER					
8		COTTER 9/64	0	3/4			
							119.8

LEG  
2



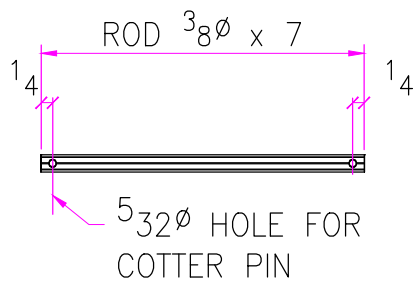
ASD AutoSD Steel Detailing  
Meridian, Mississippi

PROJECT 1 1/2 TON GANTRY CRANE  
LOCATION MERIDIAN, MS  
DETAIL OF LEGS & LIFT USING 1 1/2 SQUARE TUBE

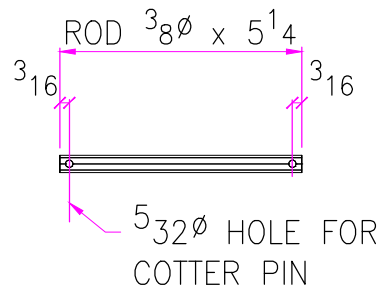
REVISIONS

HIDES	PAINT	DRAWN	CHECKED	SHEET #	JOB #
1332Ø		CRH		2	

UNLESS NOTED

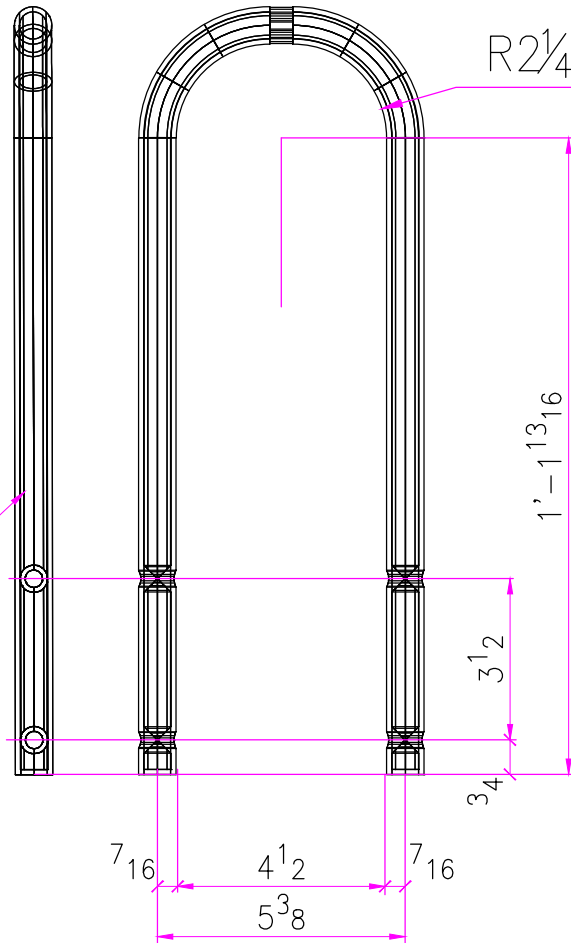


LIFT ARM PIN  
2

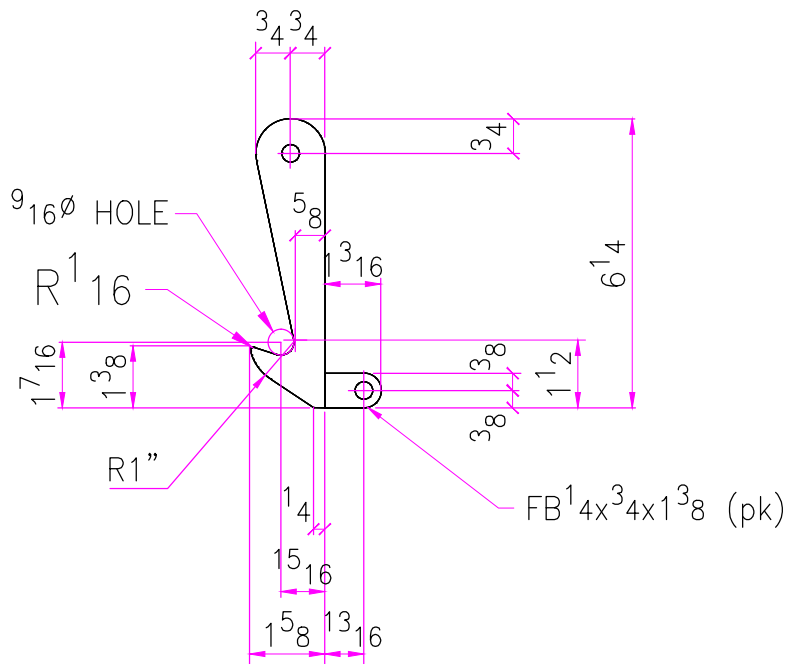
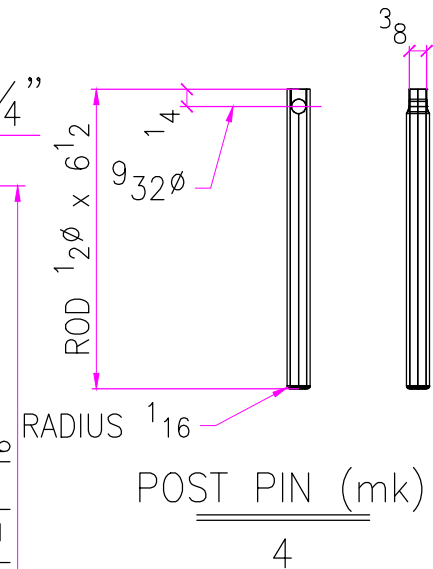


HOOK PIN  
2

PIPE  $1\frac{1}{2}\phi \times 3'-0$

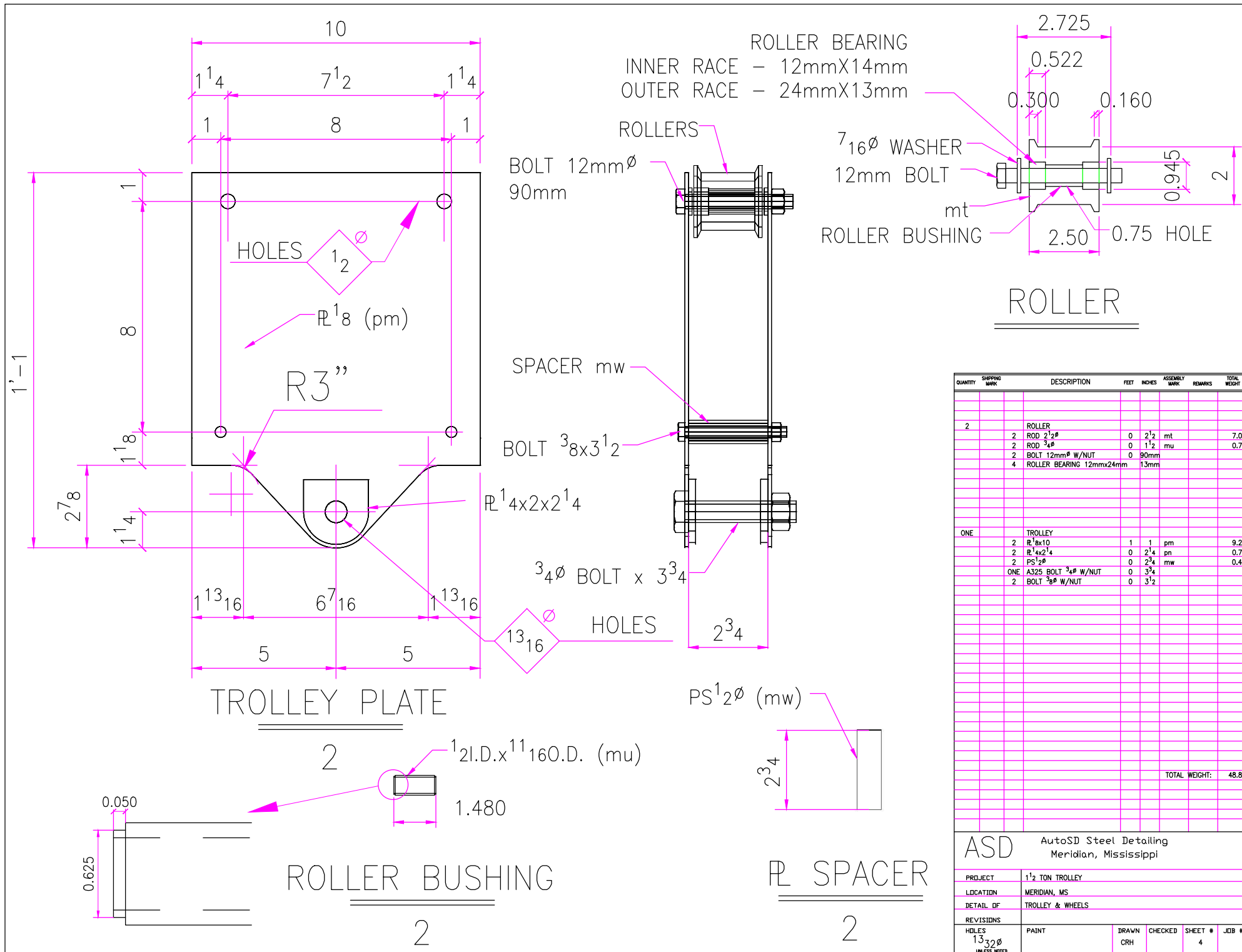


LIFT ARM (mh)  
2



LIFT HOOK  
4

ASD		AutoSD Steel Detailing Meridian, Mississippi			
PROJECT	1 1/2 TON GANTRY CRANE				
LOCATION	MERIDIAN, MS				
DETAIL OF	LIFT DETAILS USING 2 1/2 SQUARE TUBE				
REVISIONS					
HOLE 13/32φ UNLESS NOTED	PAINT	DRAWN CRH	CHECKED	SHEET # 3	JOB #



QUANTITY	SHIPPING MARK	DESCRIPTION	FEET	INCHES	ASSEMBLY MARK	REMARKS	TOTAL WEIGHT
2		ROLLER					
2		ROD 2 1/2 $\emptyset$	0	2 1/2	mt		7.0
2		ROD 3/4 $\emptyset$	0	1 1/2	mu		0.7
2		BOLT 12mm $\emptyset$ W/NUT	0	90mm			
4		ROLLER BEARING 12mmx24mm	0	13mm			
ONE		TROLLEY					
2		R 1/8 x 10	1	1	pm		9.2
2		R 1/4 x 2 1/4	0	2 1/4	pn		0.7
2		PS 1/2 $\emptyset$	0	2 3/4	mw		0.4
ONE		A325 BOLT 3/4 $\emptyset$ W/NUT	0	3 3/4			
2		BOLT 3/8 $\emptyset$ W/NUT	0	3 1/2			
TOTAL WEIGHT:							48.8

ASD AutoSD Steel Detailing  
Meridian, Mississippi

PROJECT	1 1/2 TON TROLLEY				
LOCATION	MERIDIAN, MS				
DETAIL OF	TROLLEY & WHEELS				
REVISIONS					
HOLES	PAINT	DRAWN	CHECKED	SHEET #	JOB #
13 3/2 $\emptyset$		CRH		4	
UNLESS NOTED					