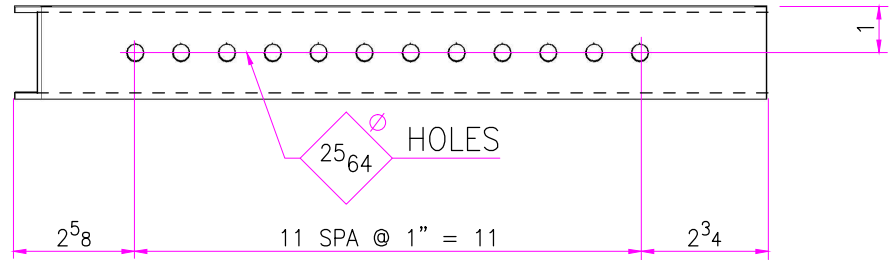
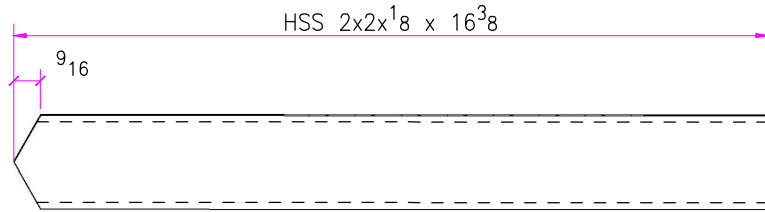
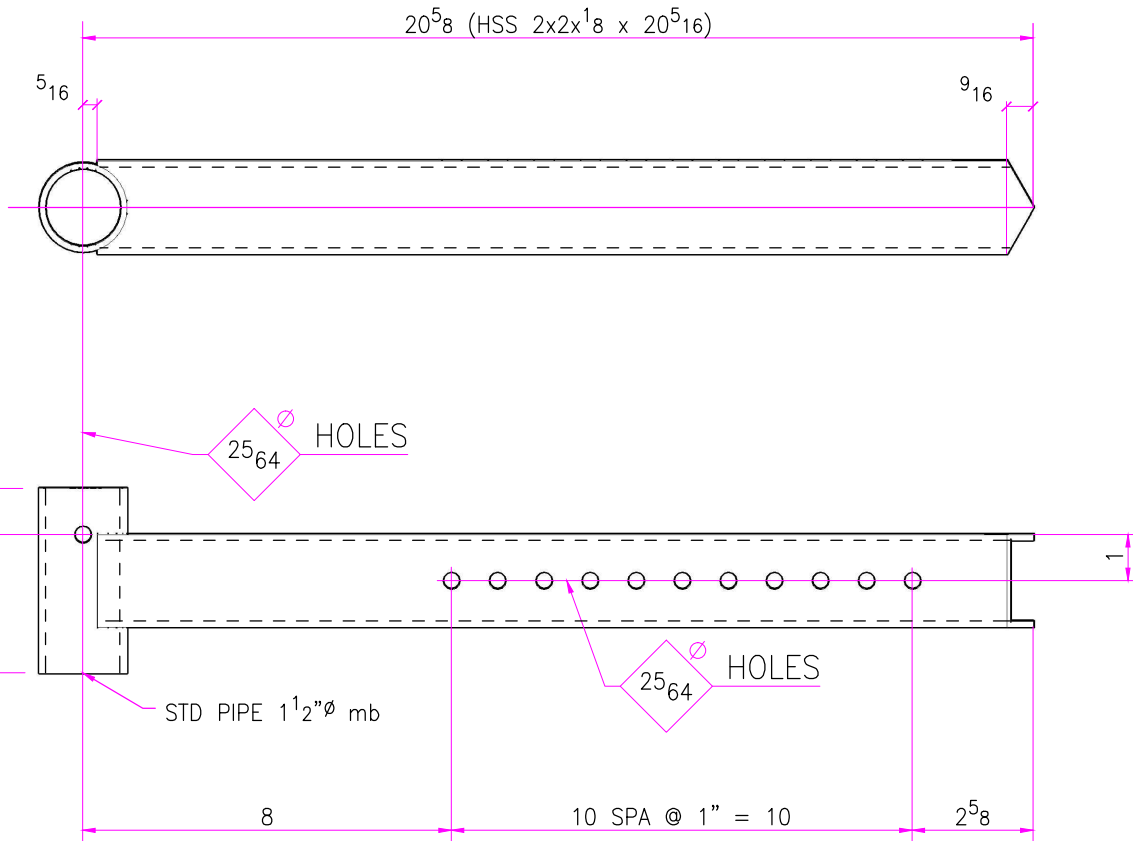


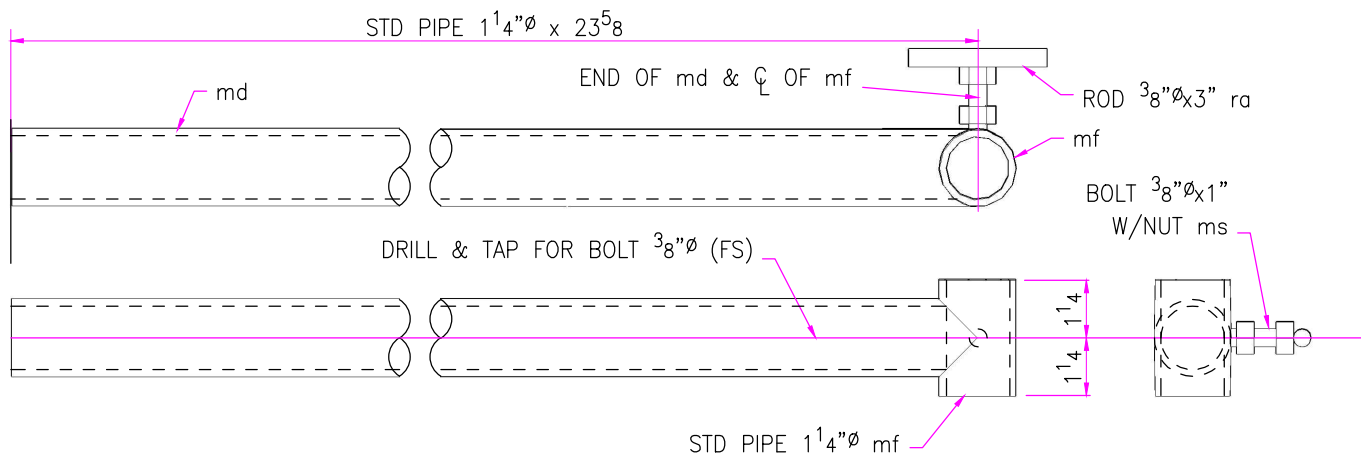
DETAIL OF M2k  
ONE



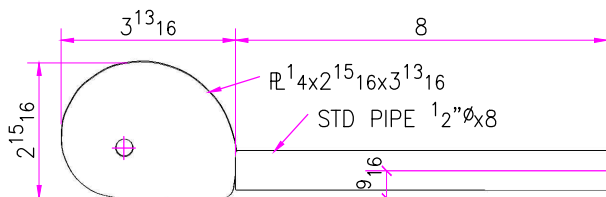
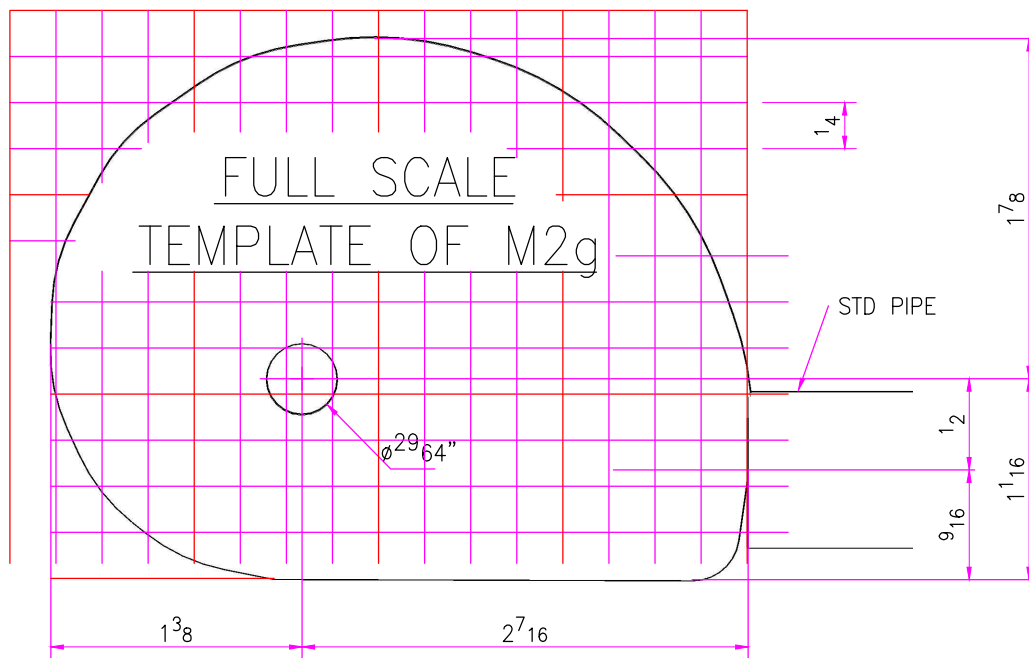
DETAIL OF T1  
2



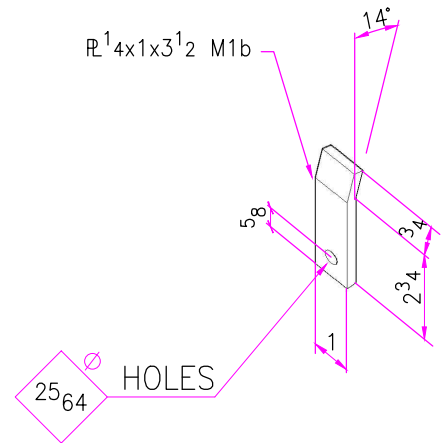
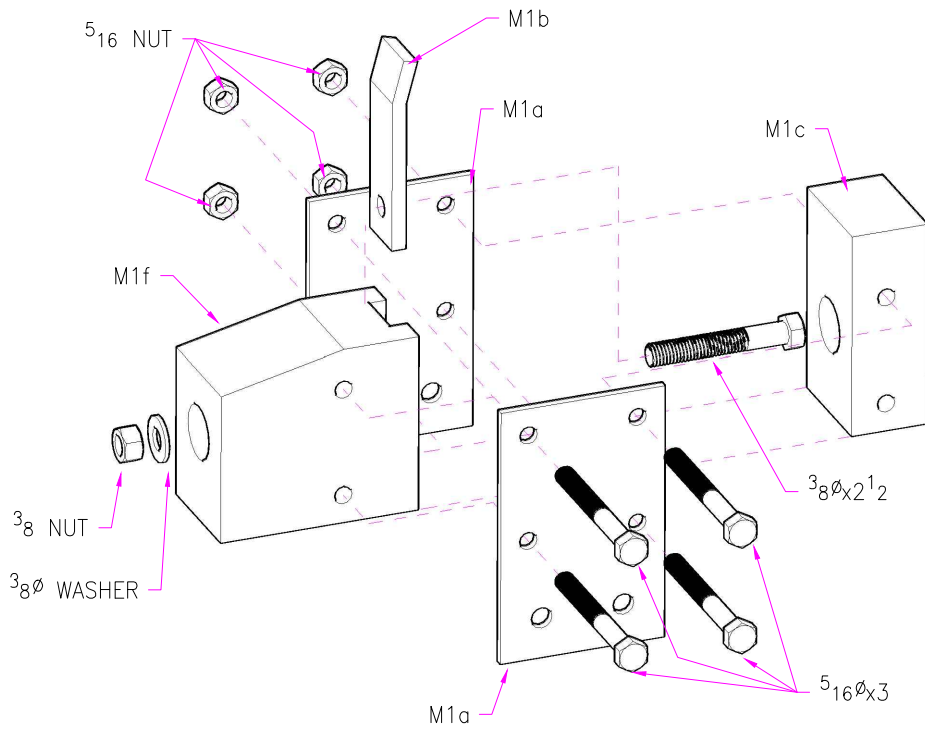
DETAIL OF T2  
ONE



DETAIL OF md  
ONE

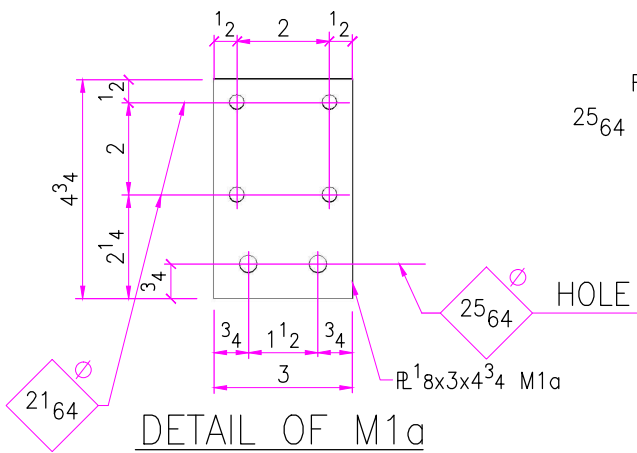


DETAIL OF M2g  
ONE

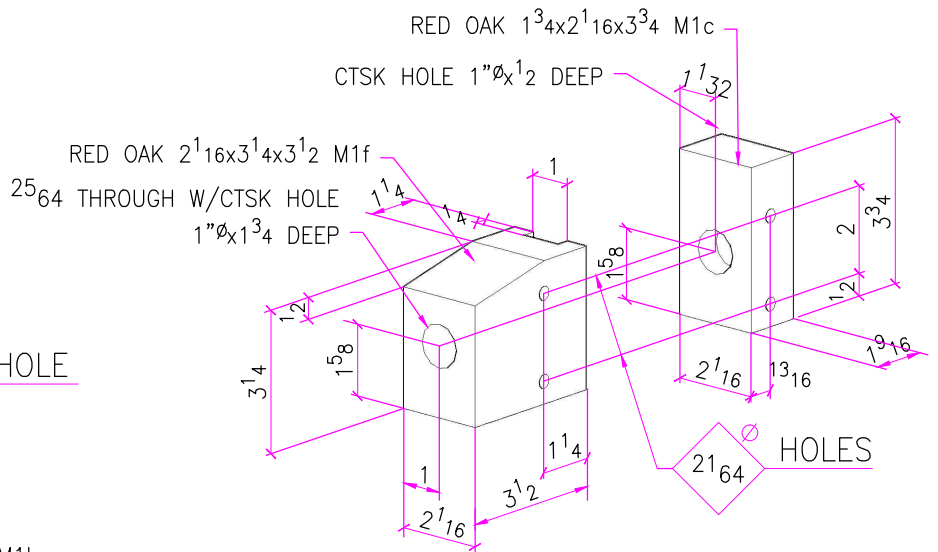


## DETAIL OF M1

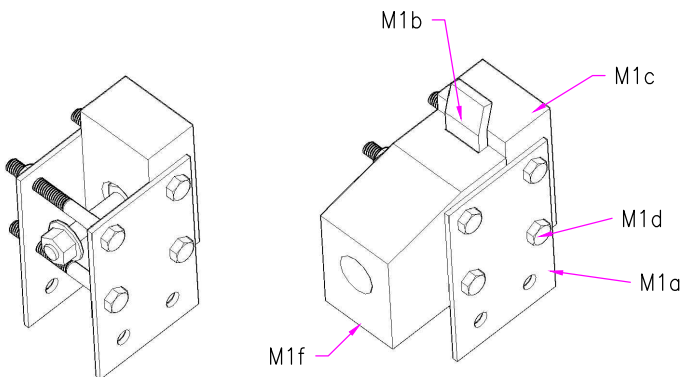
2

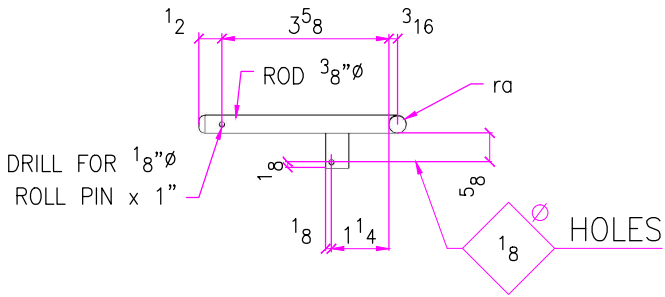


## DETAIL OF M1a

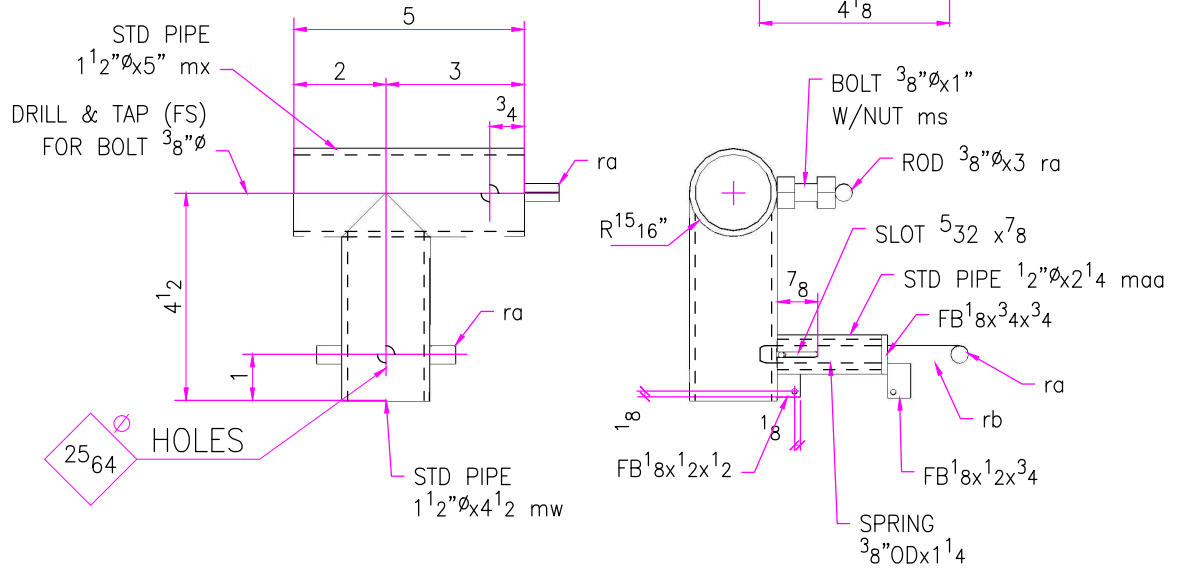
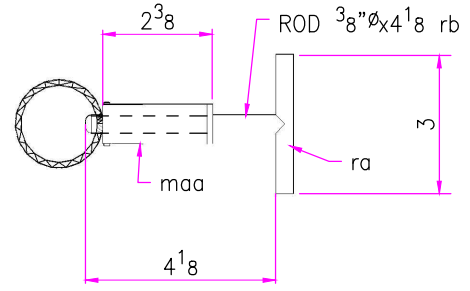


## DETAIL OF M1c & M1f

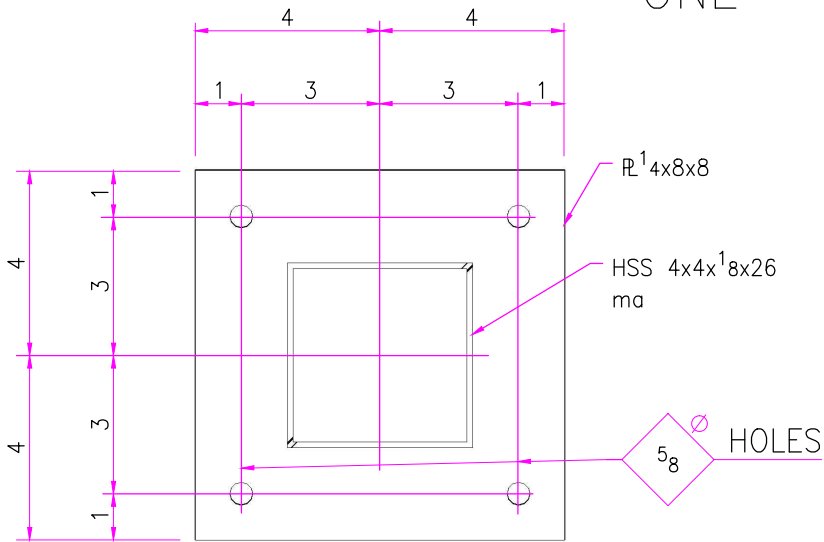




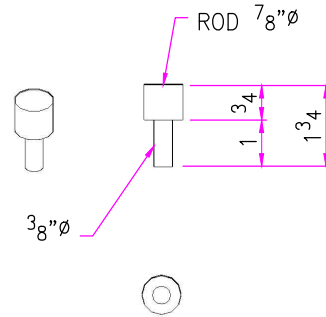
DETAIL OF rb  
ONE



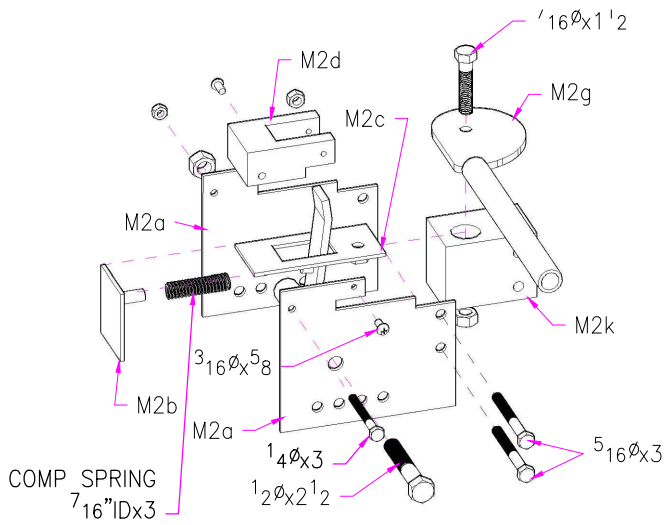
DETAIL OF mw & mx  
ONE



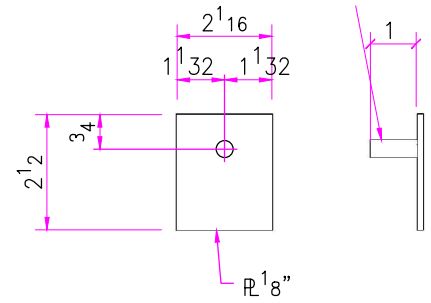
DETAIL OF BP1  
ONE



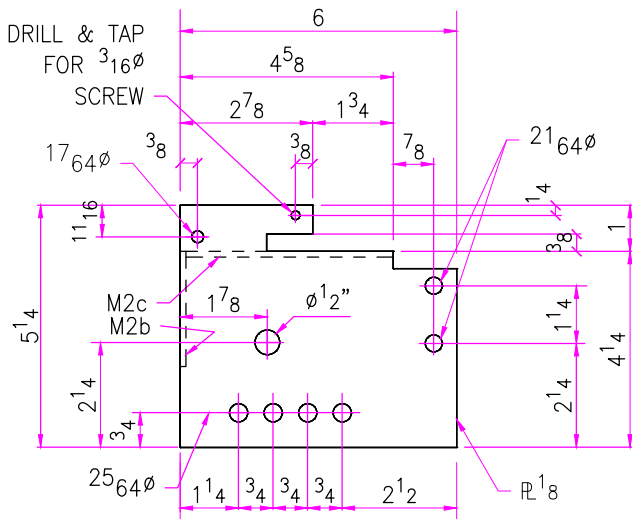
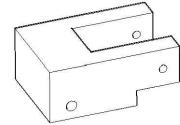
DETAIL OF mu  
ONE



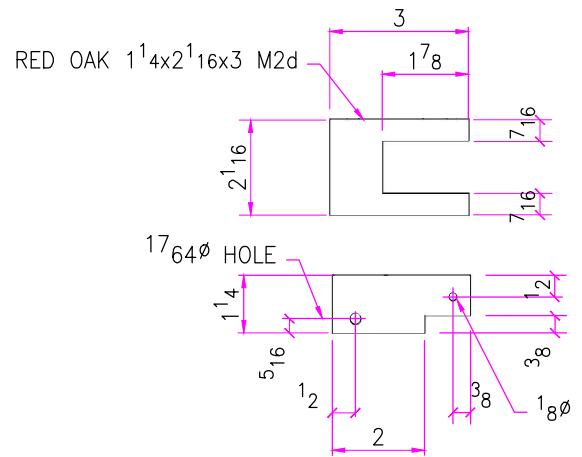
DETAIL OF M2  
ONE



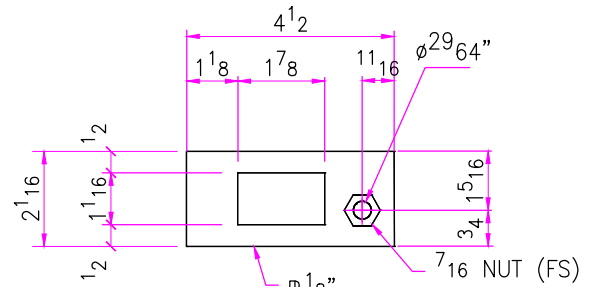
DETAIL OF M2b  
ONE



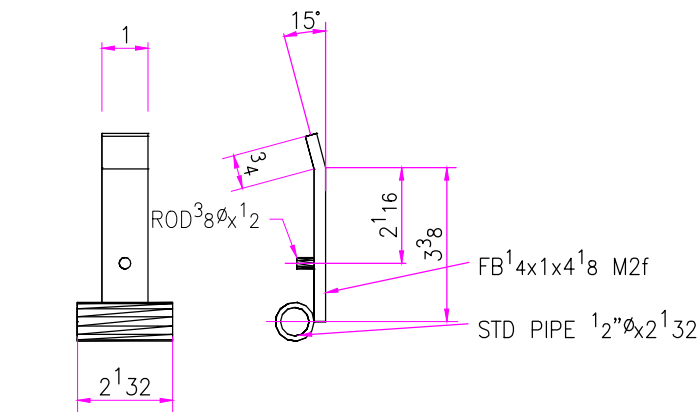
DETAIL OF M2a  
2



DETAIL OF M2d  
ONE

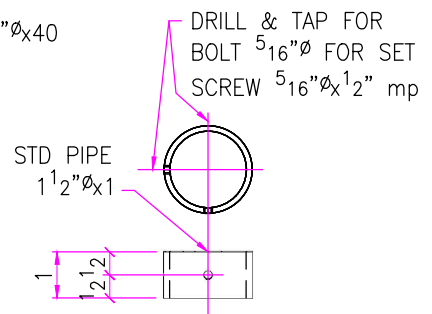
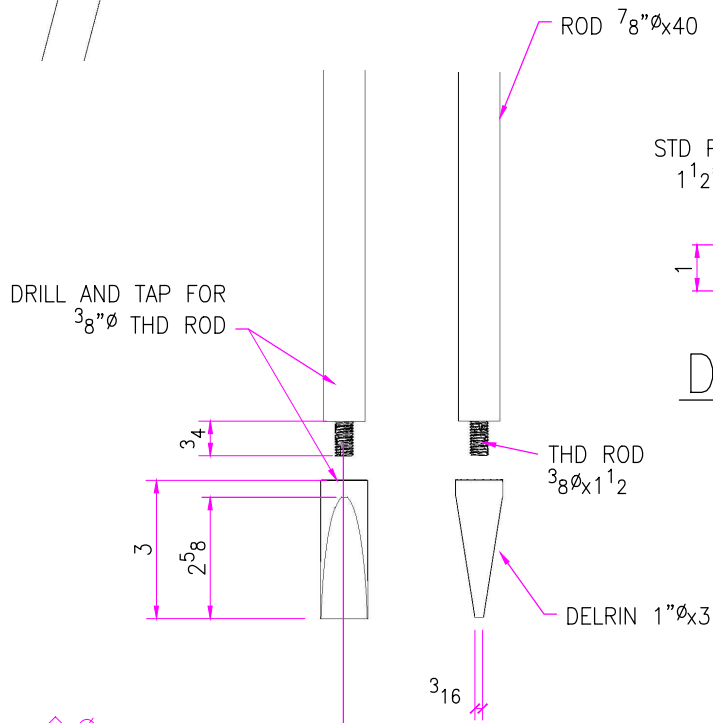
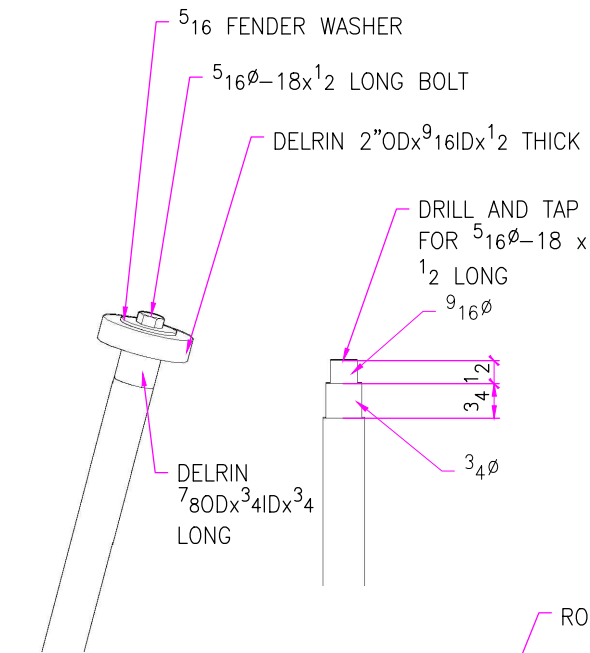
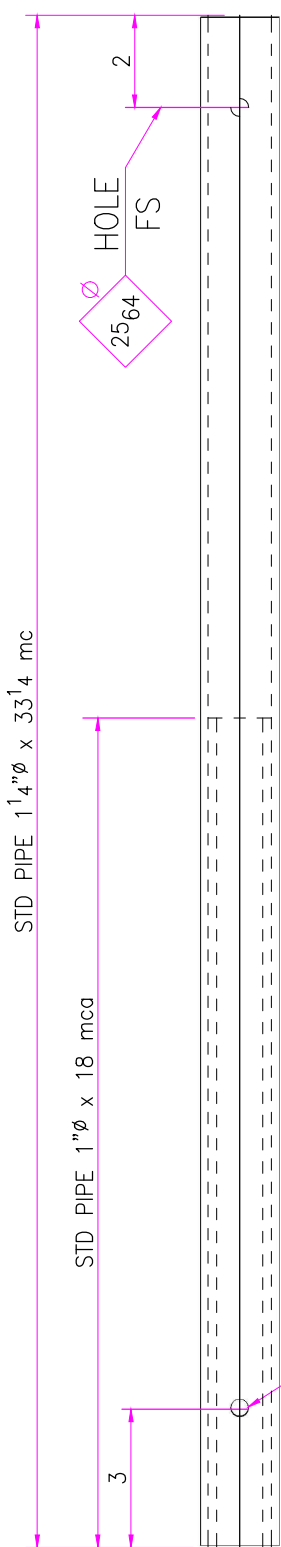


DETAIL OF M2c  
ONE

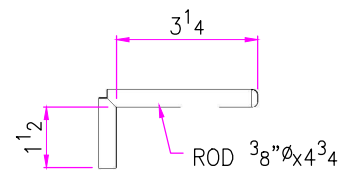


DETAIL OF M2f  
ONE





DETAIL OF mg  
3



DETAIL OF PINS  
3

MOUNT/DEMOUNT BAR  
ONE

DETAIL OF mc  
ONE



