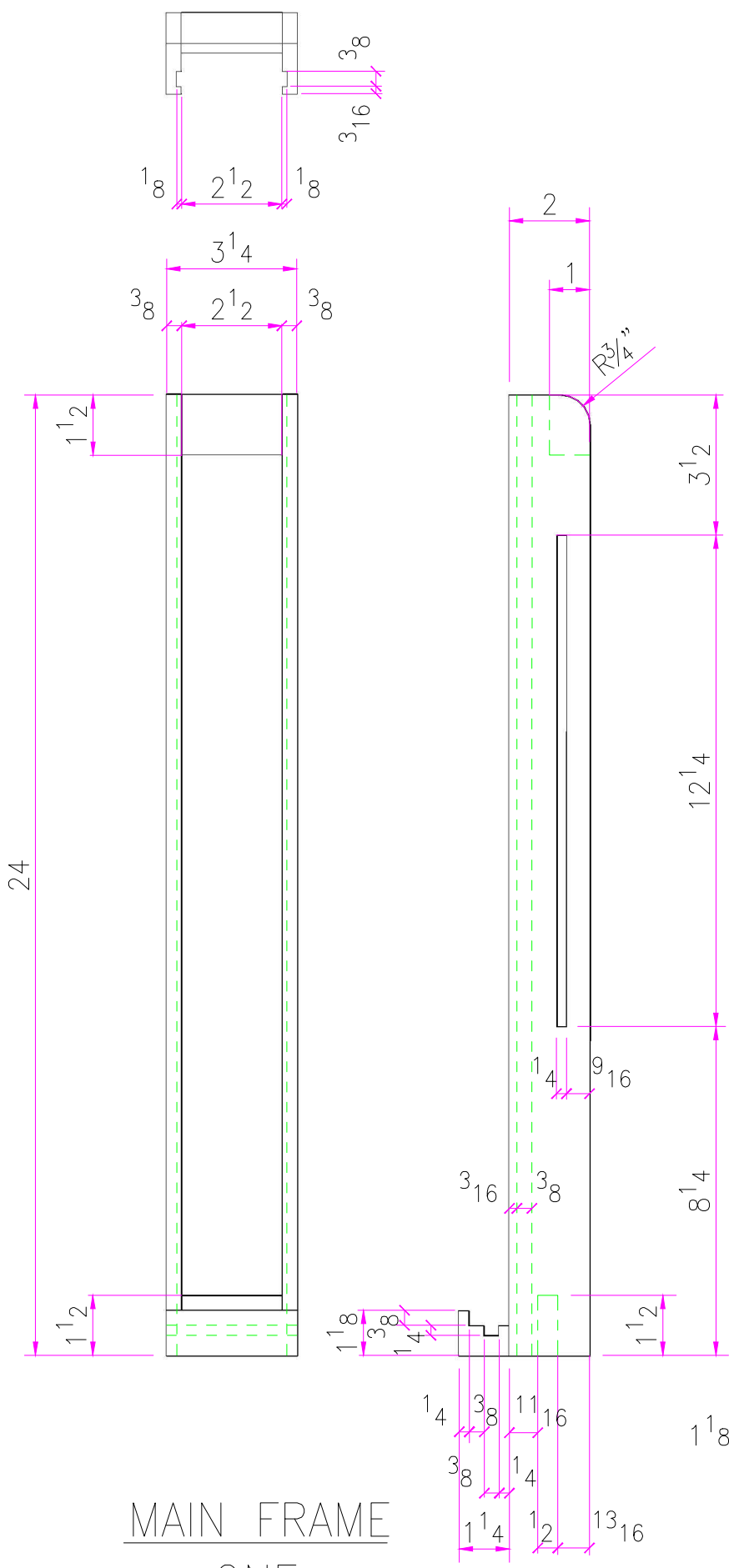
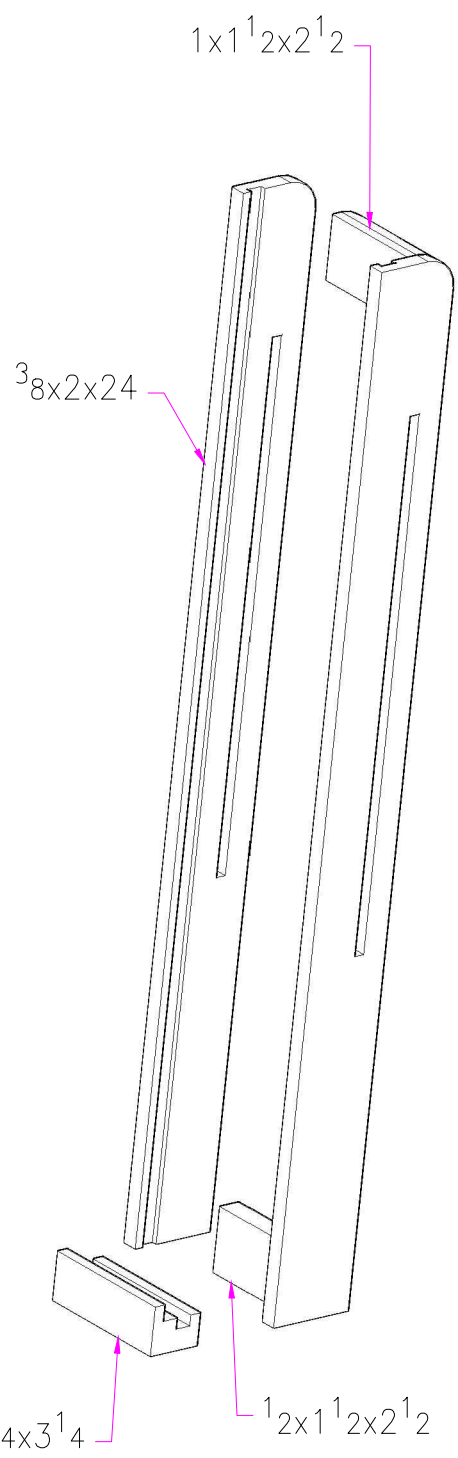


RED OAK EASEL

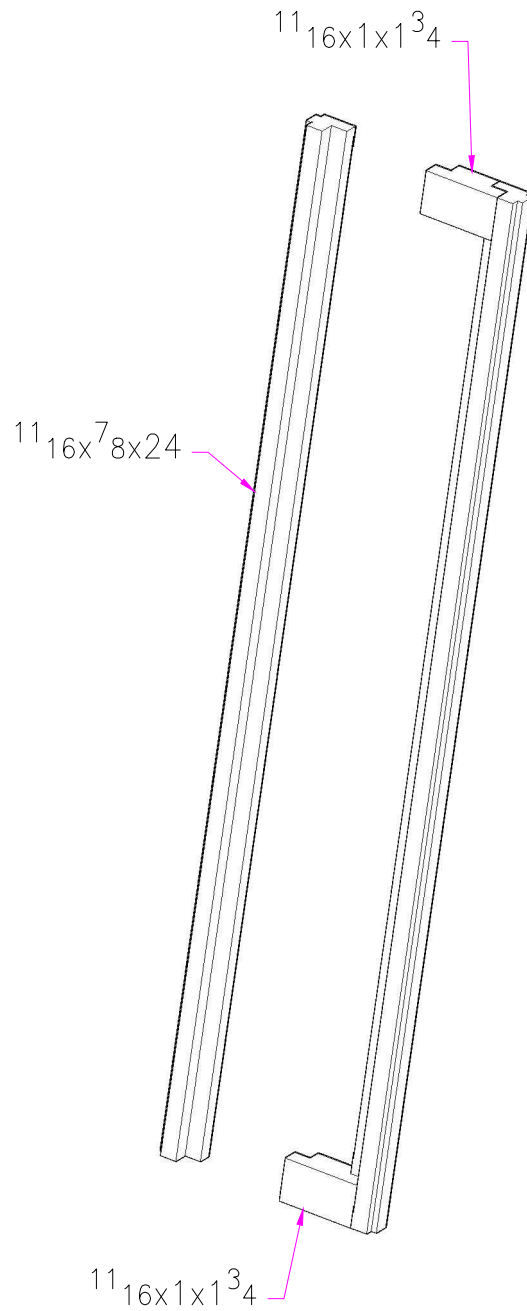
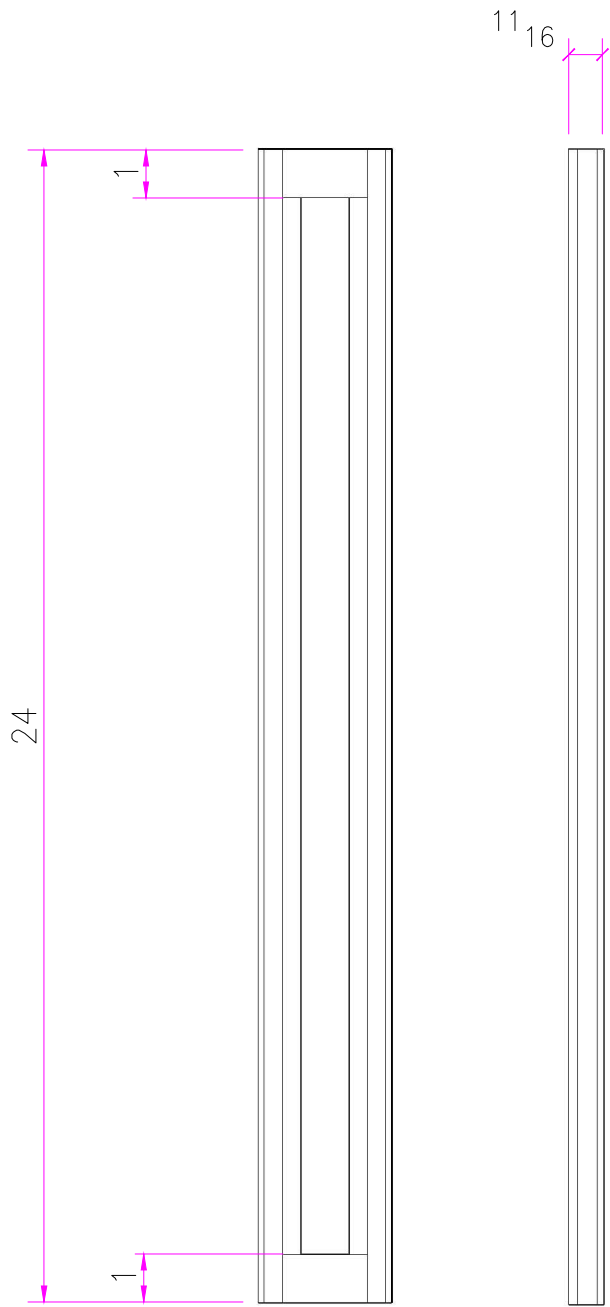
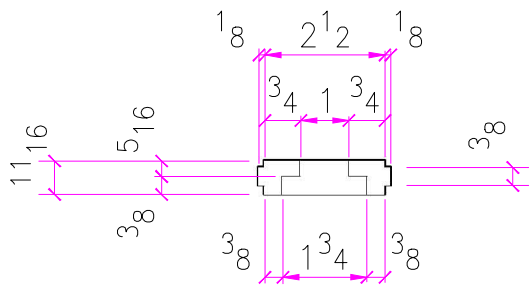
RED OAK EASEL	
DRAWN BY:	CRH
SCALE:	1" = 1'-0
SHEET	ONE



MAIN FRAME
ONE

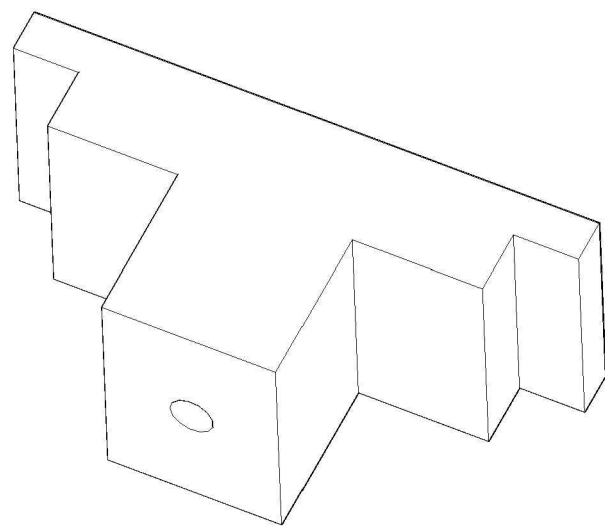
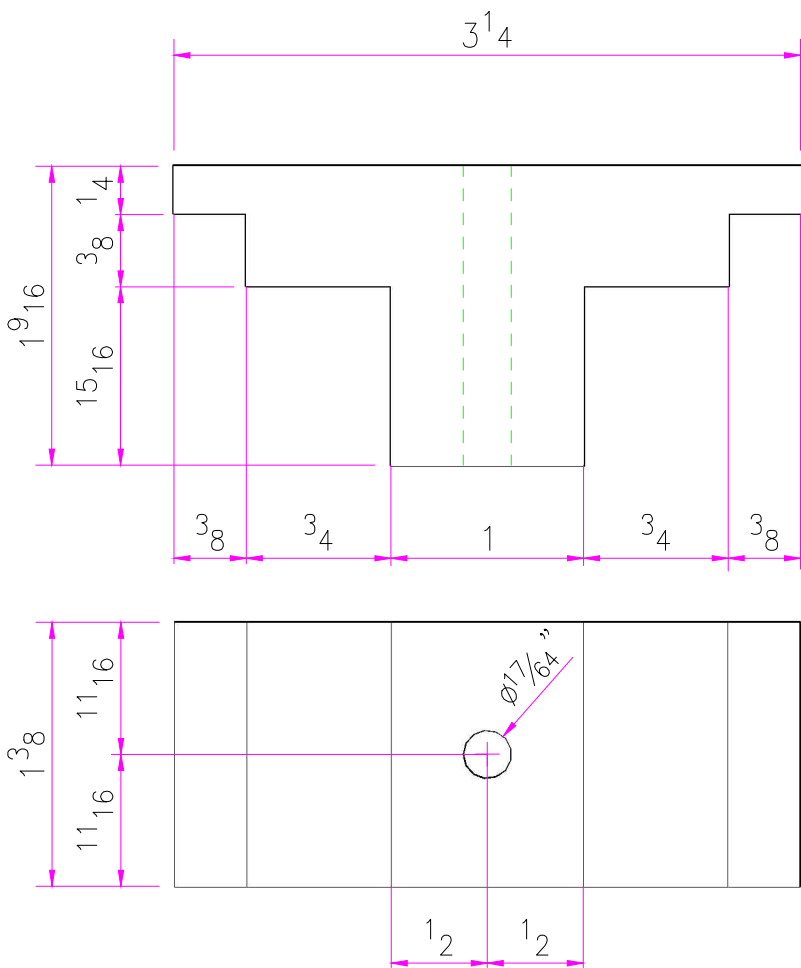


RED OAK EASEL	
DRAWN BY:	CRH
SCALE:	3" = 1'-0
SHEET	2

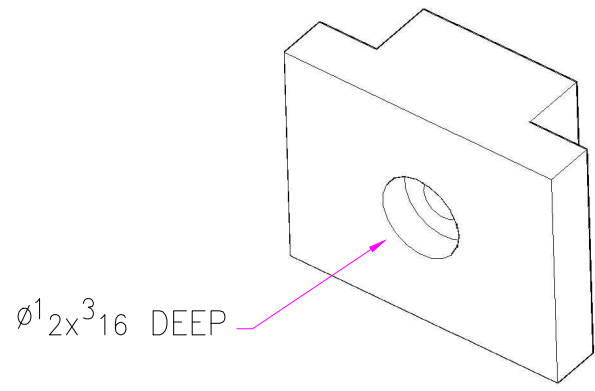
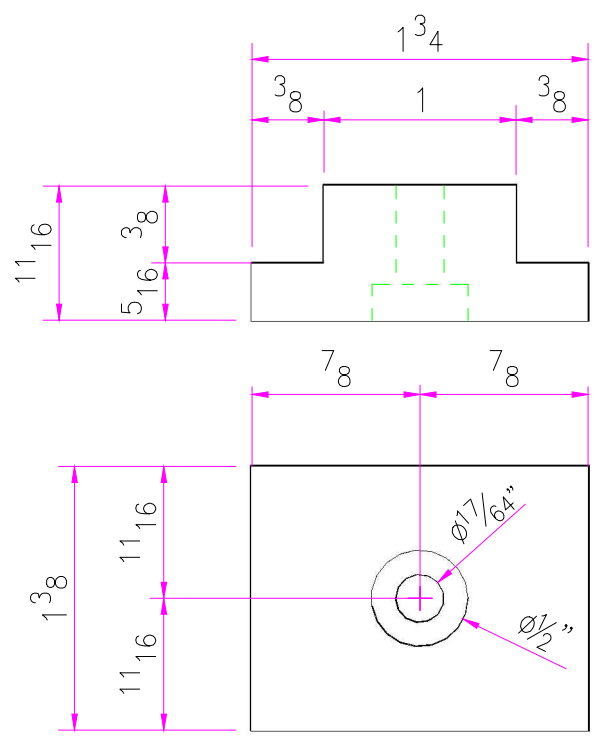


SLIDE
ONE

RED OAK EASEL	
DRAWN BY:	CRH
SCALE:	3" = 1'-0
SHEET	3

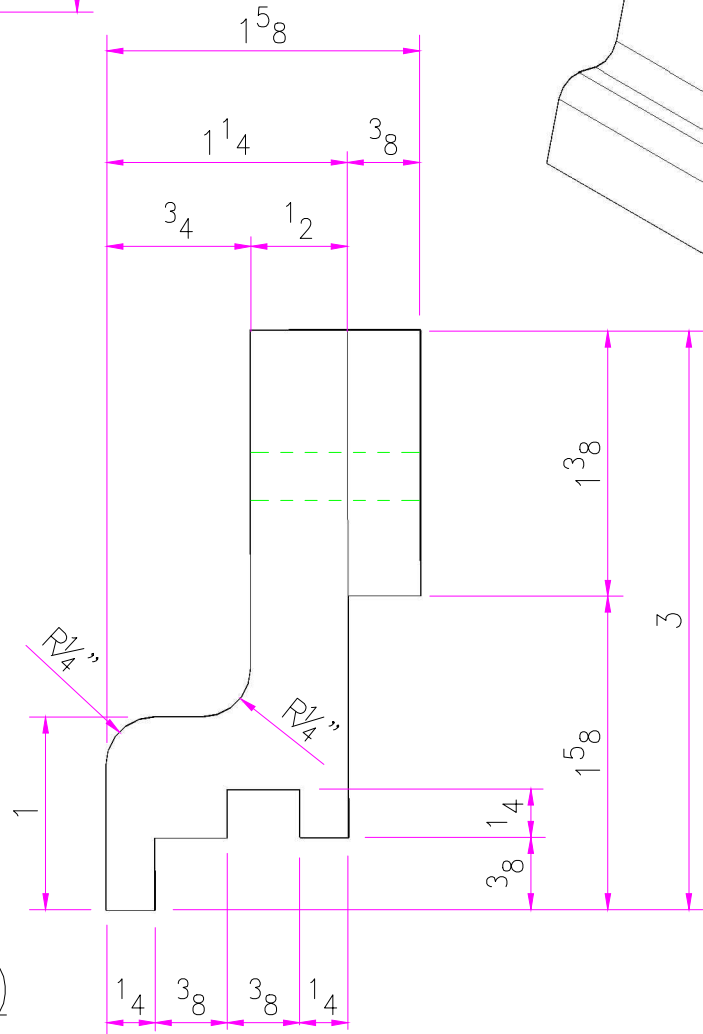
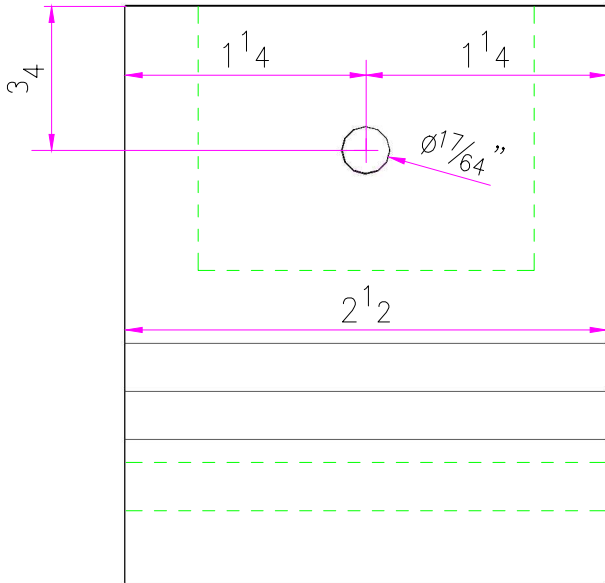
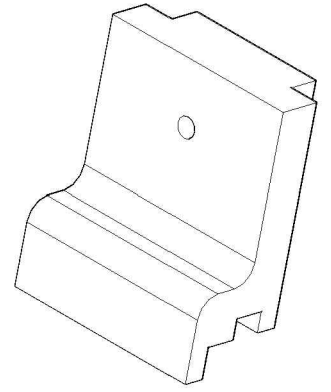
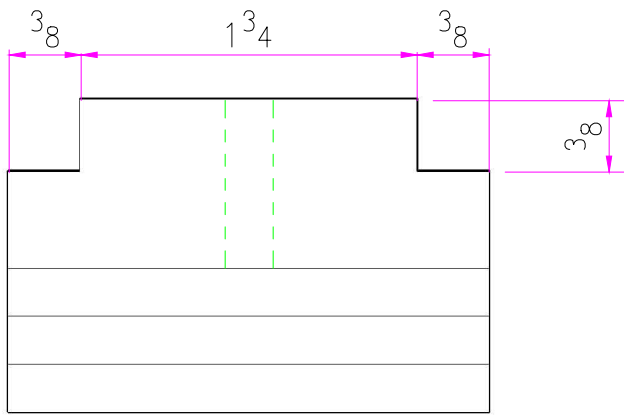


SLIDE CLAMP (BACK)
ONE

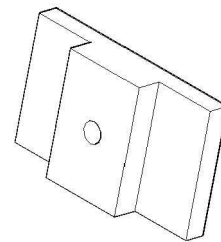
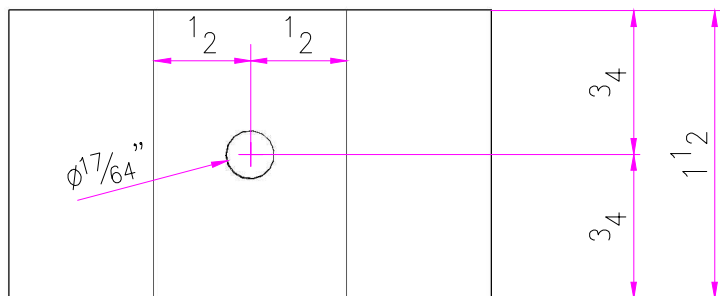
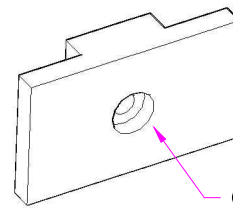
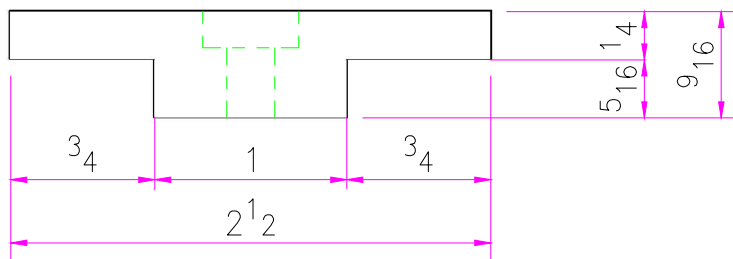


SLIDE CLAMP (FRONT)
ONE

RED OAK EASEL	
DRAWN BY:	CRH
SCALE: FULL	
SHEET	4

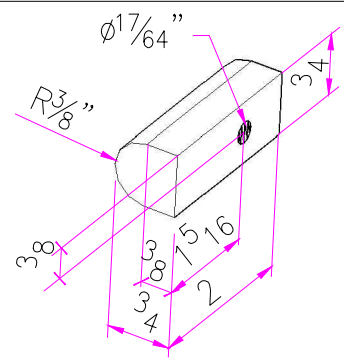
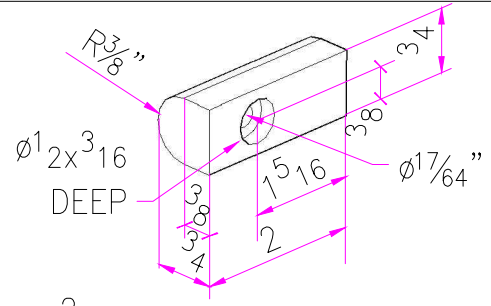
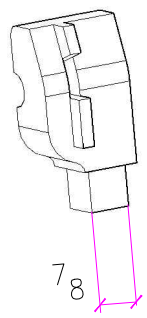
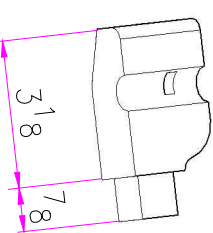


TOP CLAMP (FRONT)
ONE



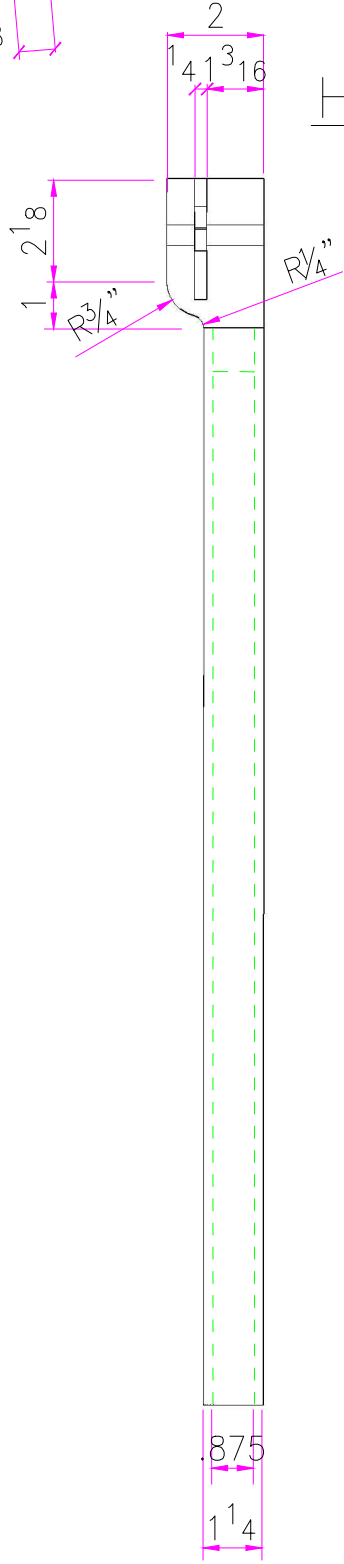
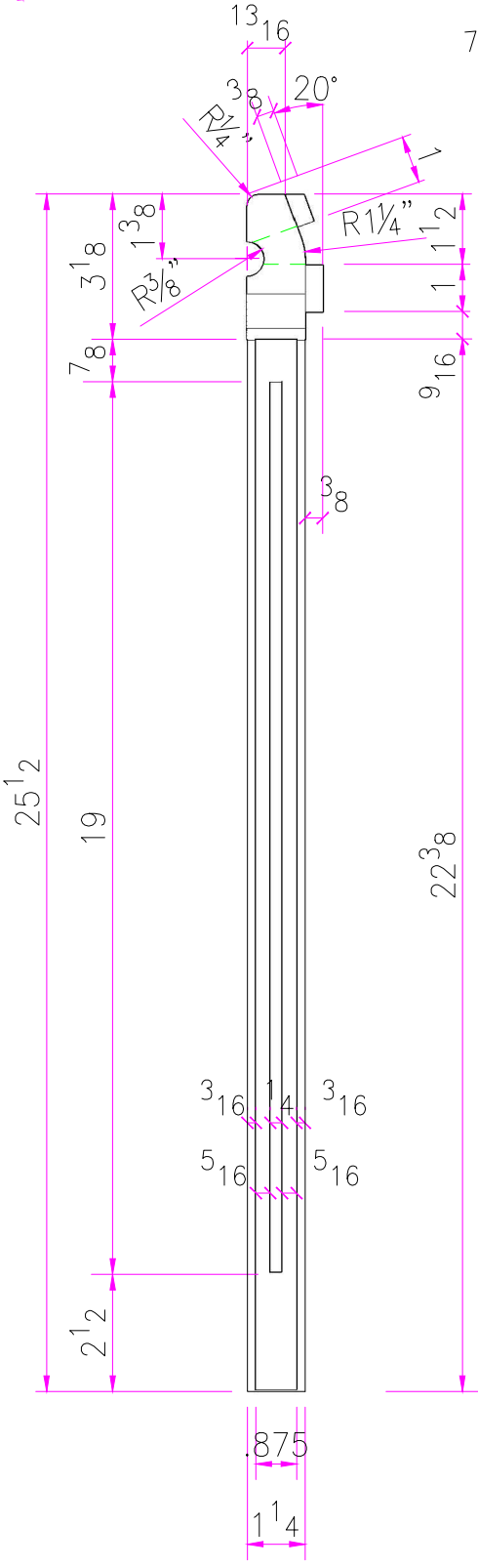
TOP CLAMP (BACK)
ONE

RED OAK EASEL	
DRAWN BY:	CRH
SCALE: FULL	
SHEET	5

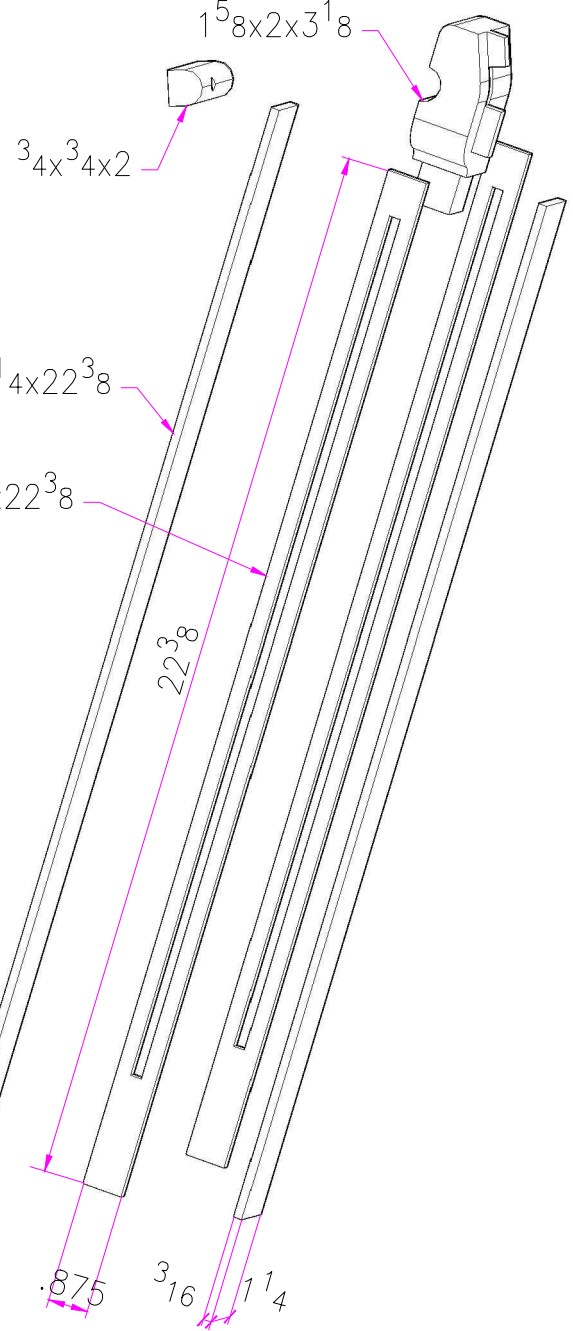


HINGE 1
ONE

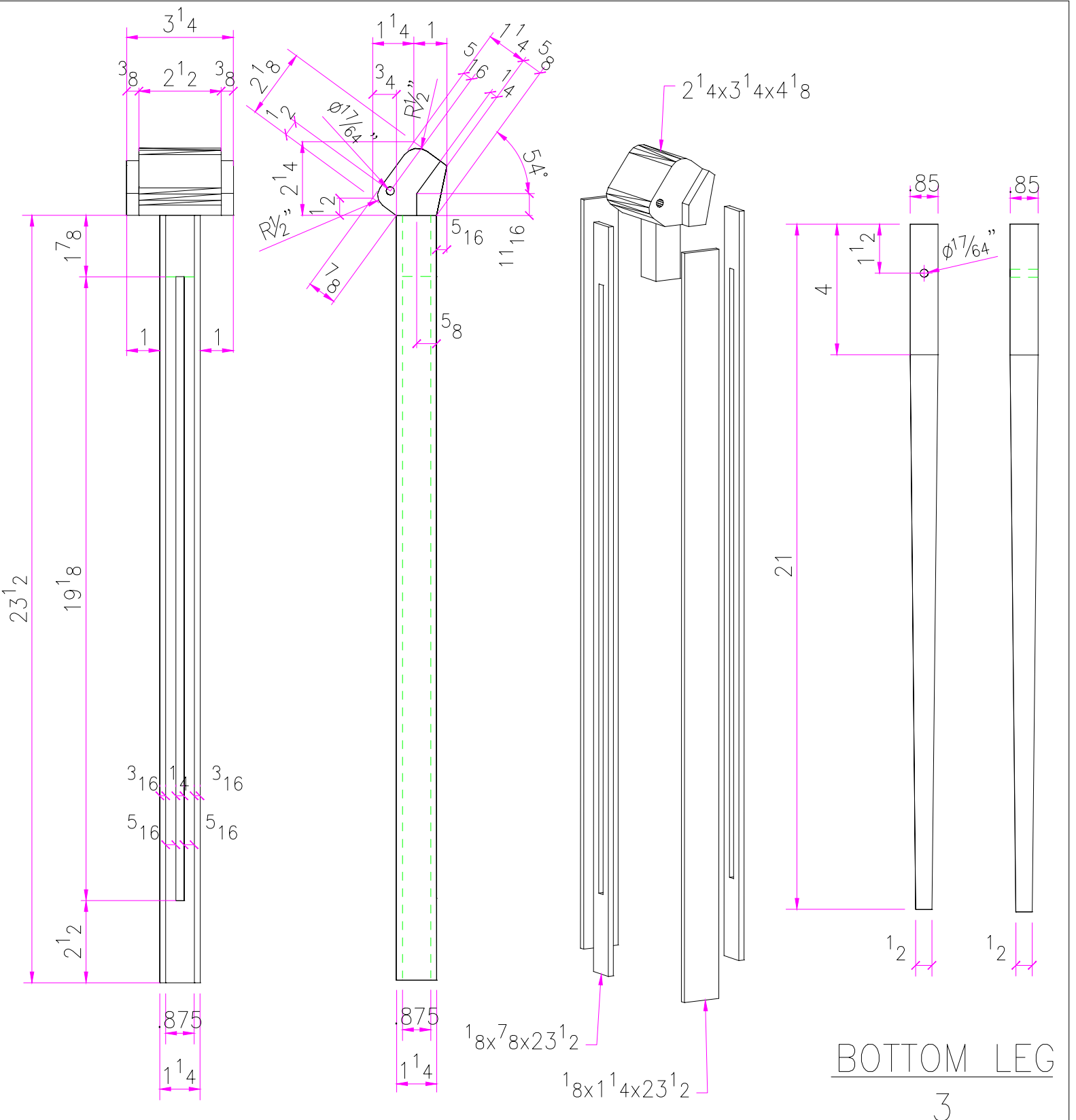
HINGE 2
ONE



FRONT LEG
ONE^R ONE^L



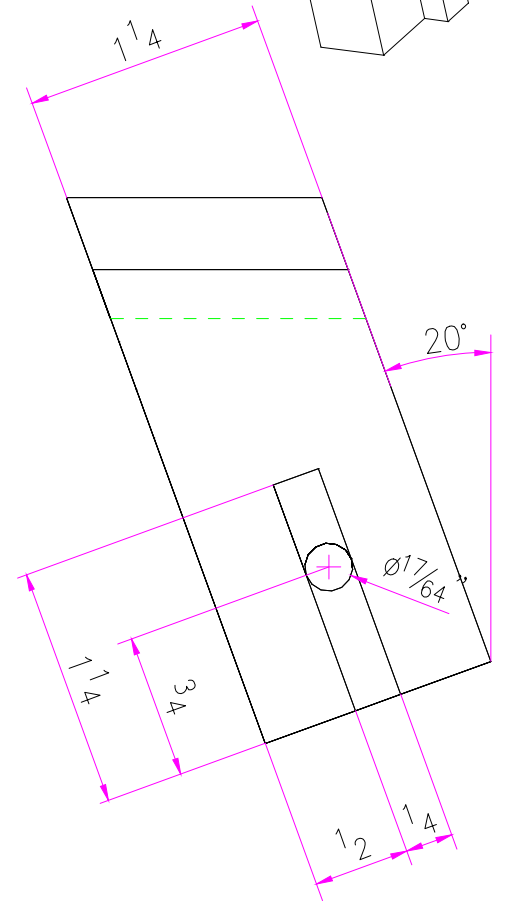
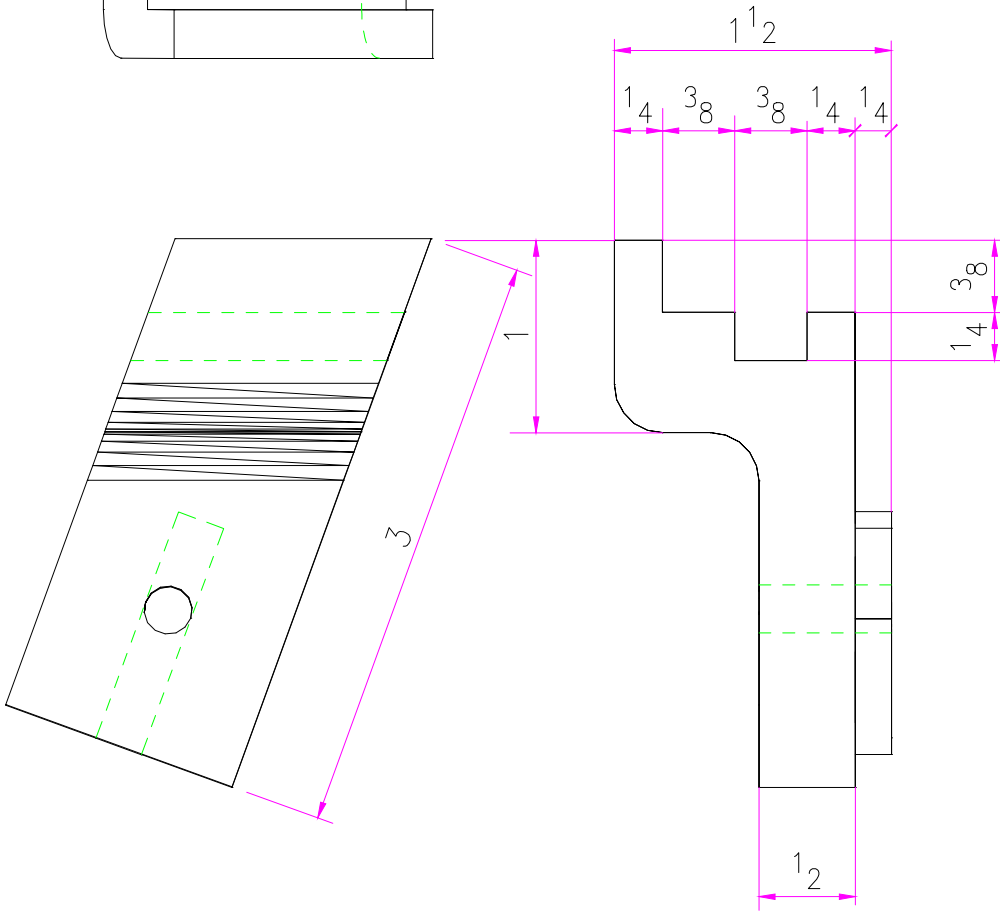
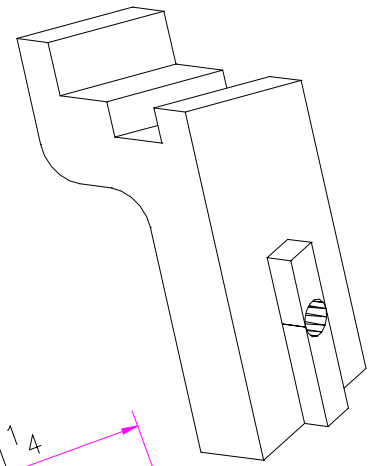
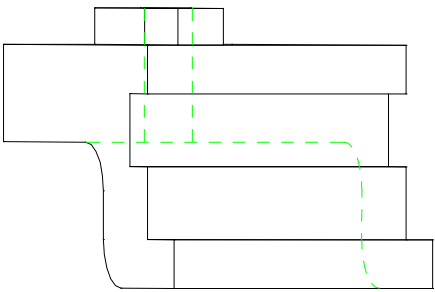
RED OAK EASEL	
DRAWN BY:	CRH
SCALE: 3"=1'-0	
SHEET	6



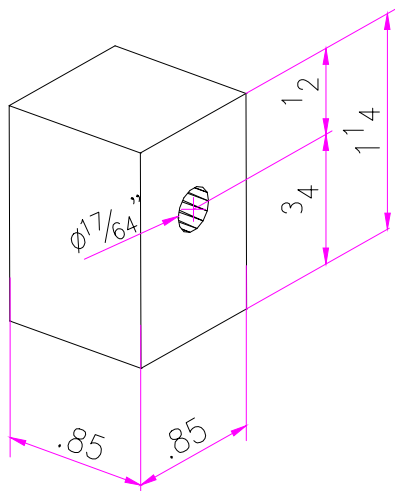
BACK LEG
ONE

BOTTOM LEG
3

RED OAK EASEL
DRAWN BY: CRH
SCALE: 3"=1'-0
SHEET 7



BOTTOM CLAMP
ONE^R ONE^L



BOTTOM CLAMP SPACER

2

RED OAK EASEL	
DRAWN BY:	CRH
SCALE:	FULL
SHEET	8