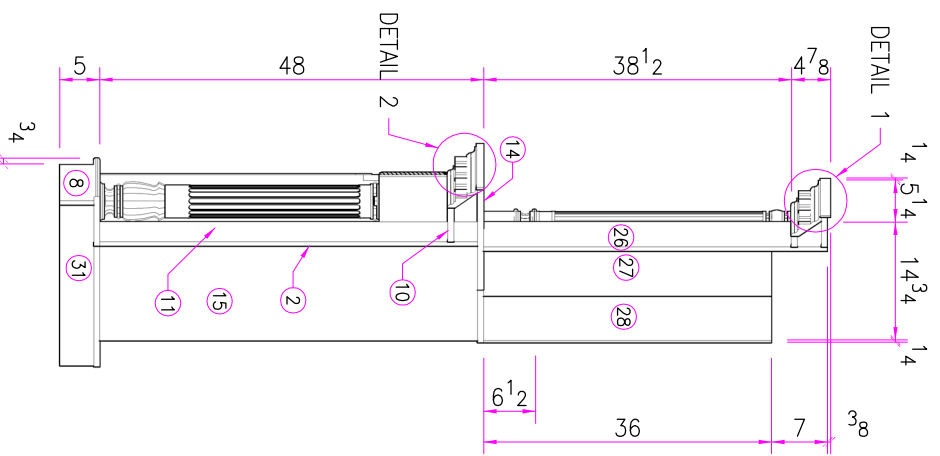
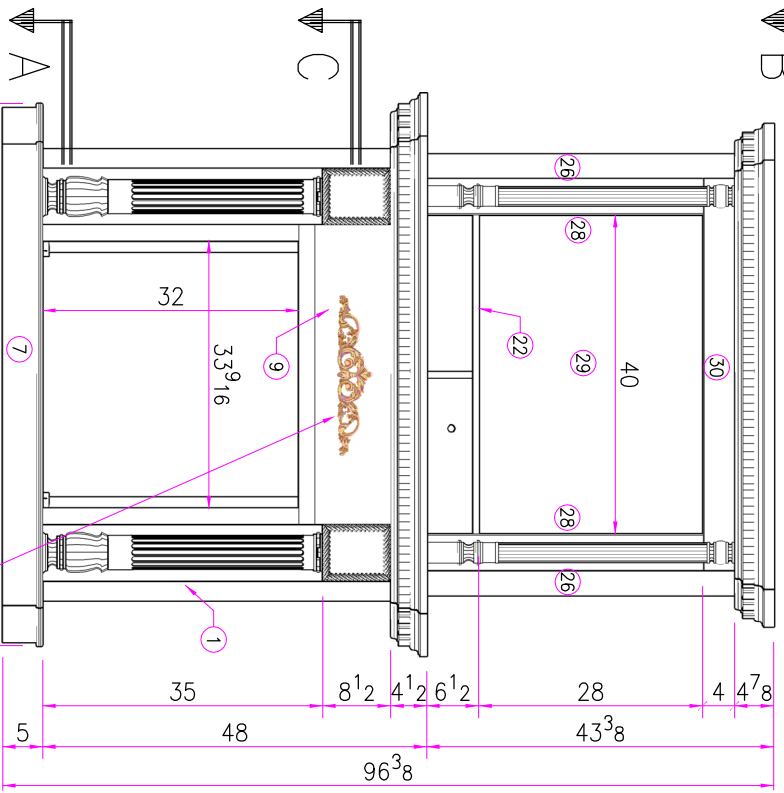
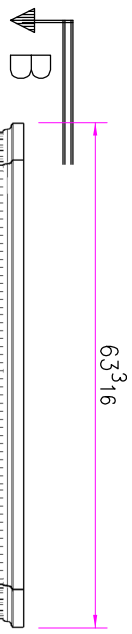
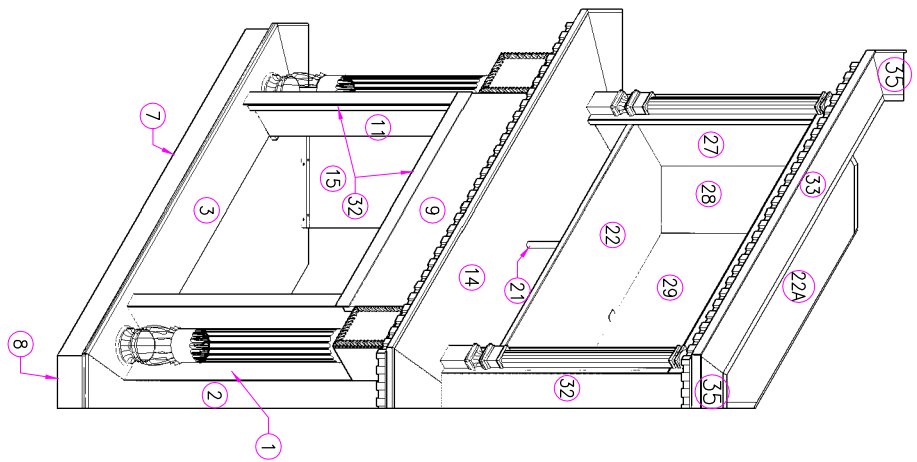
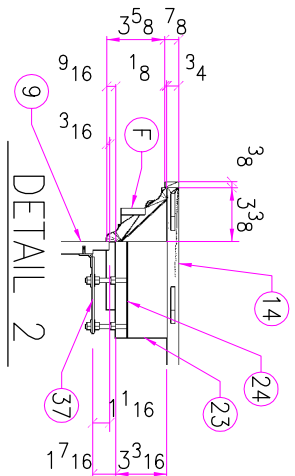


DETAIL 1



DETAIL 2

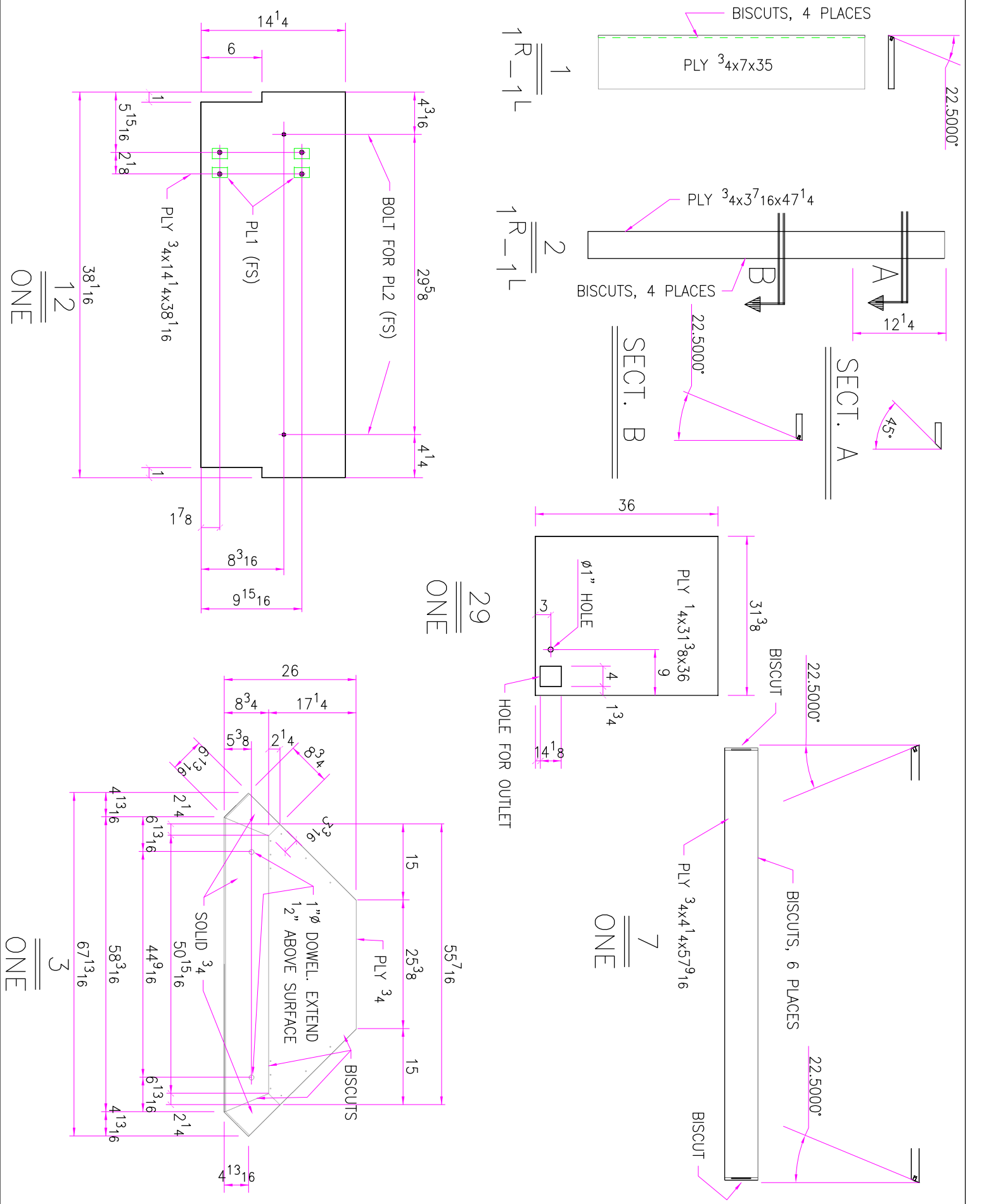
DETAIL 1



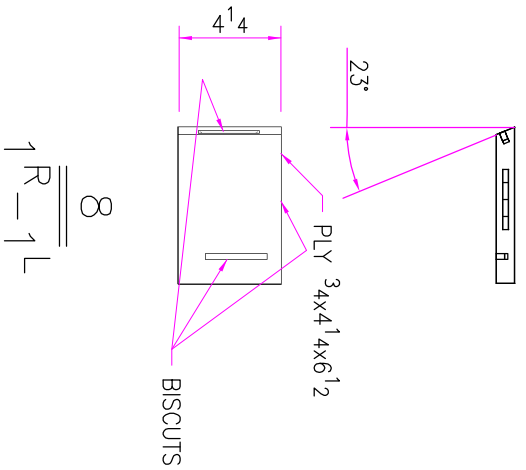
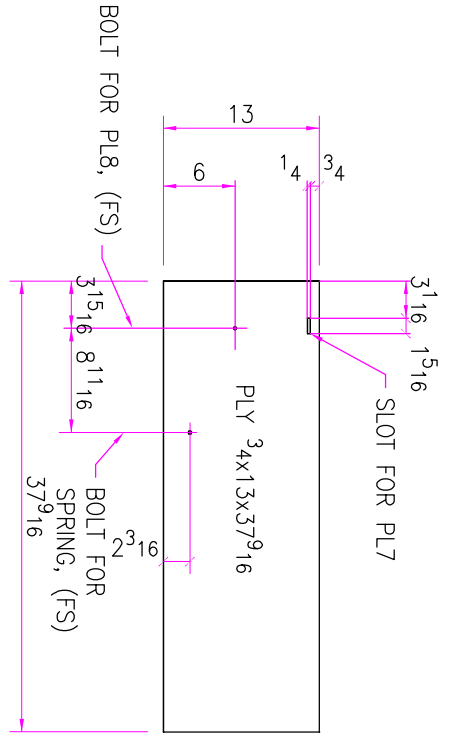
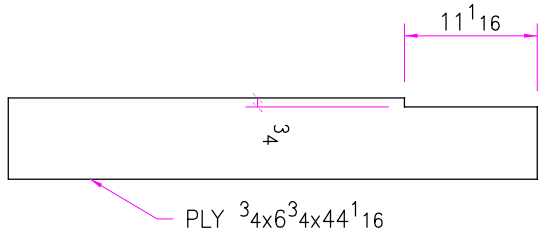
DETAIL 2

HAND CARVED ONLAY MODEL ONL-02-20 FROM www.cabinetwork.com

| | | | | | |
|--------------|------------------------------|-------------------------------|------------------------------|--------------|---------|
| SHEET # 1 | AutoSD, Inc. Meridian, MS | PROJECT FIREPLACE SURROUND | DETAIL OF Isometric views | DRAWN CRH | CHECKED |
|--------------|------------------------------|-------------------------------|------------------------------|--------------|---------|

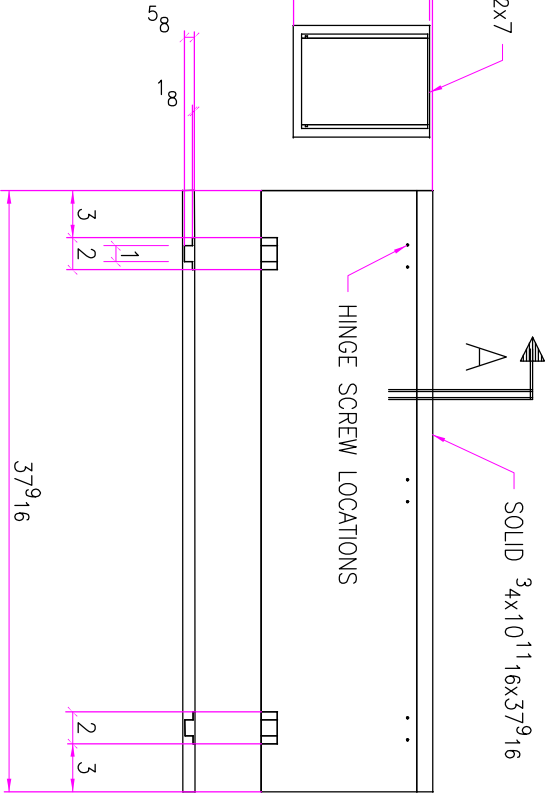
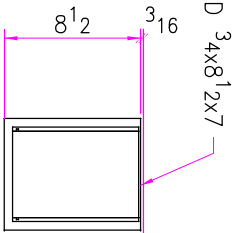


| | | | | | |
|--------------|------------------------------|-------------------------------|---|--------------|---------|
| SHEET # 2 | AutoSD, Inc. Meridian, MS | PROJECT FIREPLACE SURROUND | DETAIL OF Parts 1, 2, 3, 7, 12 & 29 | DRAWN CRH | CHECKED |
|--------------|------------------------------|-------------------------------|---|--------------|---------|

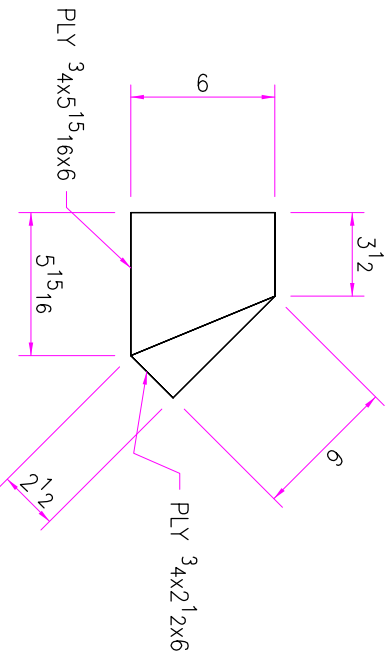
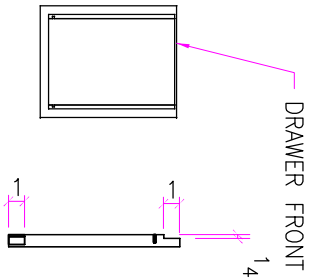


11
11
2

DRAWER FRONT SOLID 3 4x8 1 2x7



SECT. A



10
10
1 R - 1 L

9
9
ONE

CUT DRAWER FRONT AND PART #9 FROM ONE PIECE

SHEET #
3

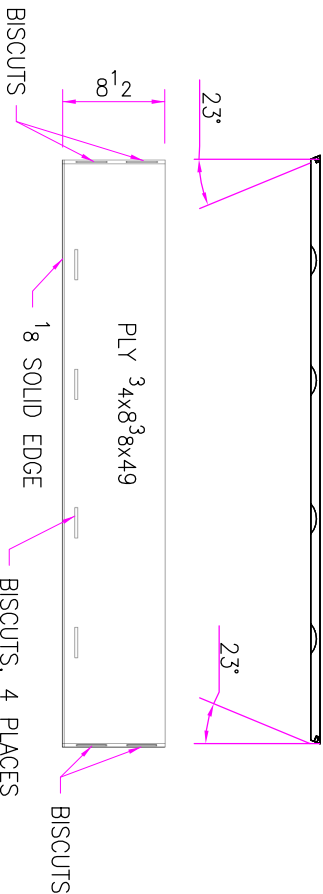
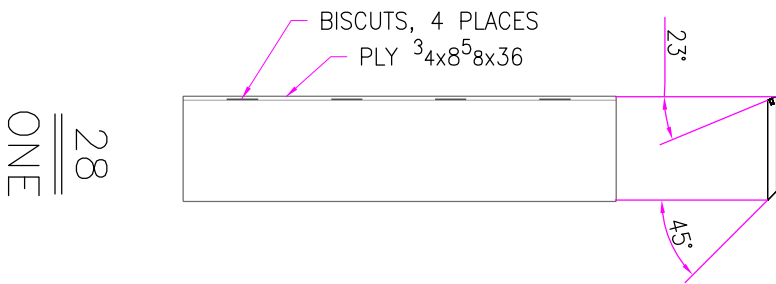
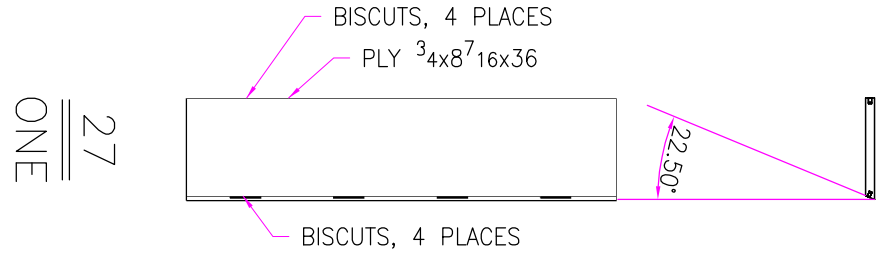
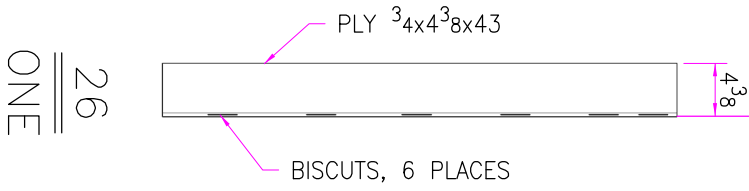
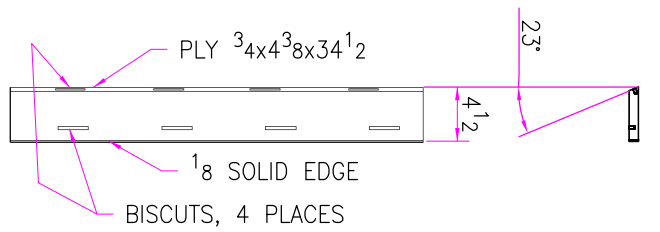
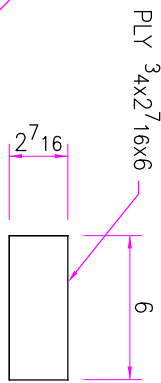
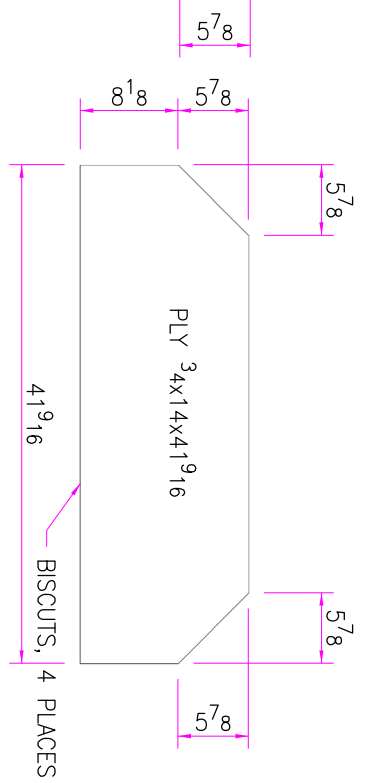
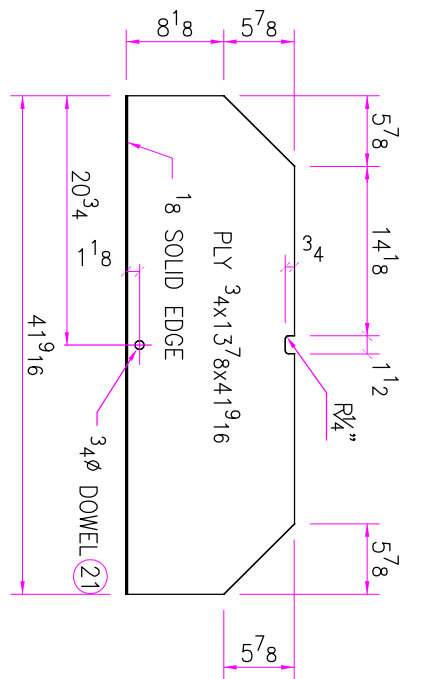
AutoSD, Inc.
Meridian, MS

PROJECT
FIREPLACE SURROUND

DETAIL OF
Parts 6, 7, 8,
9, 10 & 11

DRAWN
CRH

CHECKED



SHEET #
5

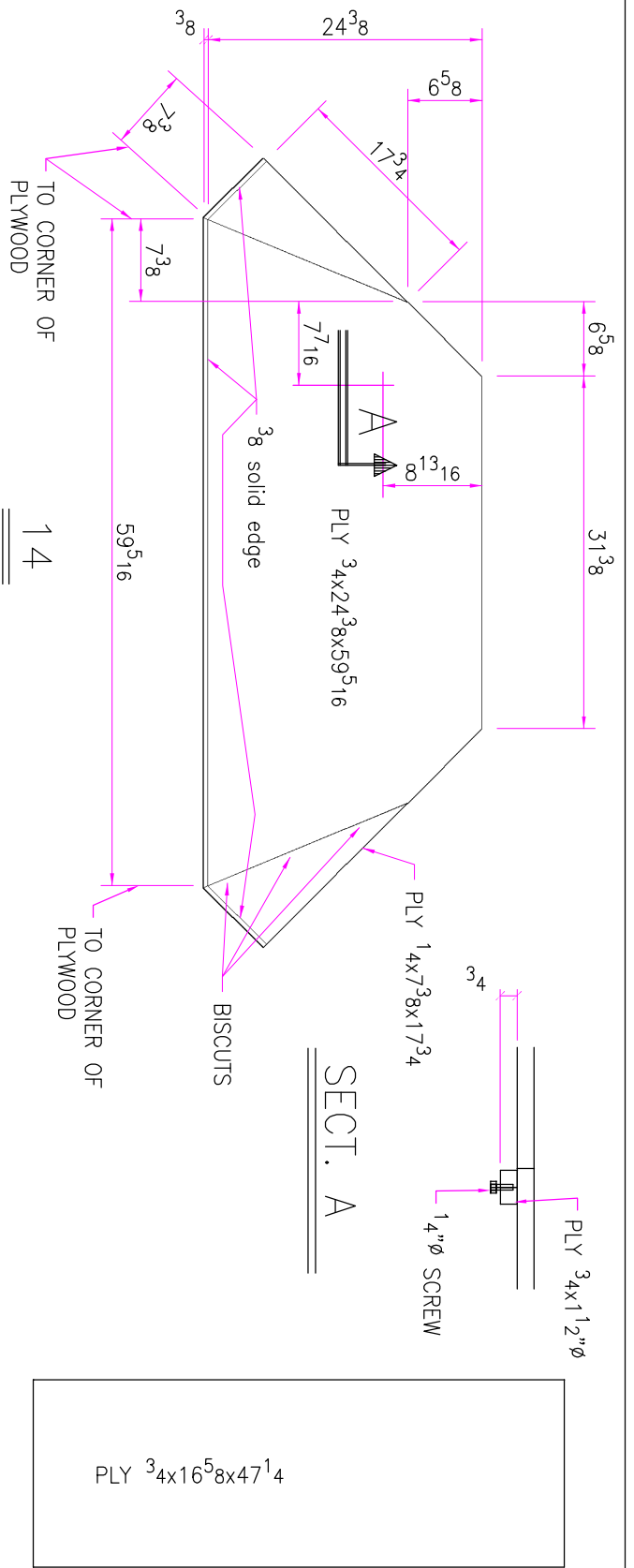
AutoSD, Inc.
Meridian, MS

PROJECT
FIREPLACE SURROUND

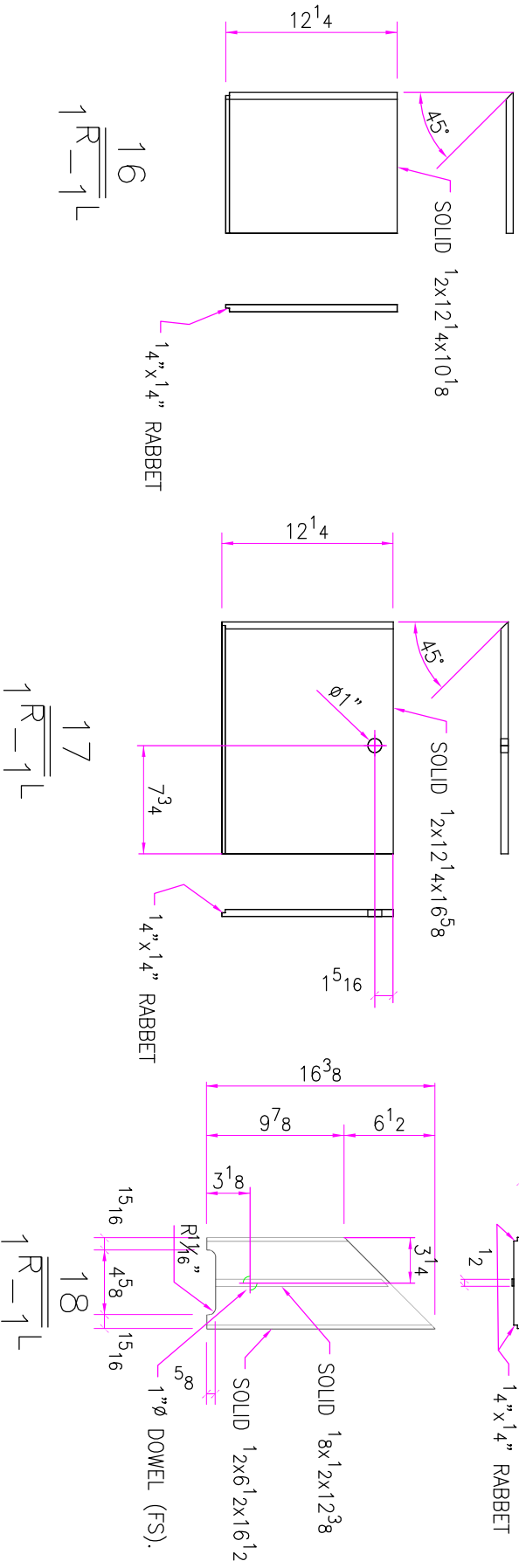
DETAIL OF
PARTS 22, 22A, 23,
25, 26, 27, 28 & 30

DRAWN
CRH

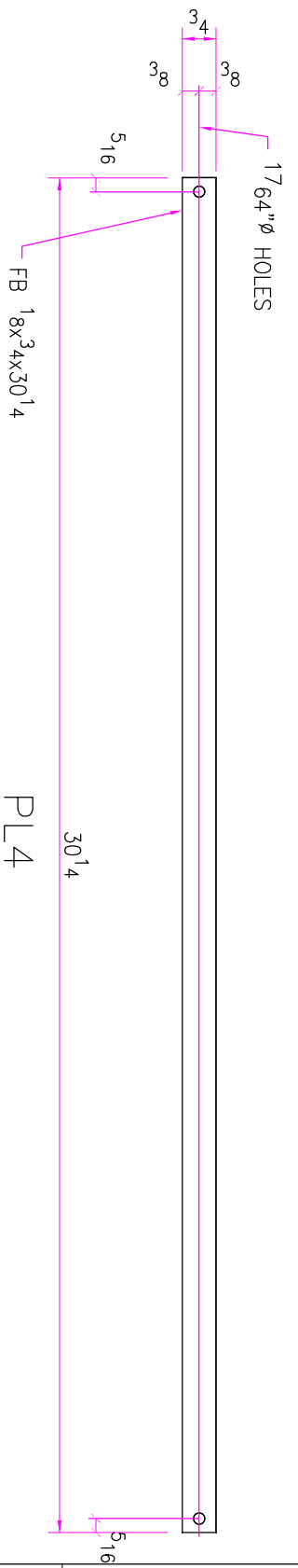
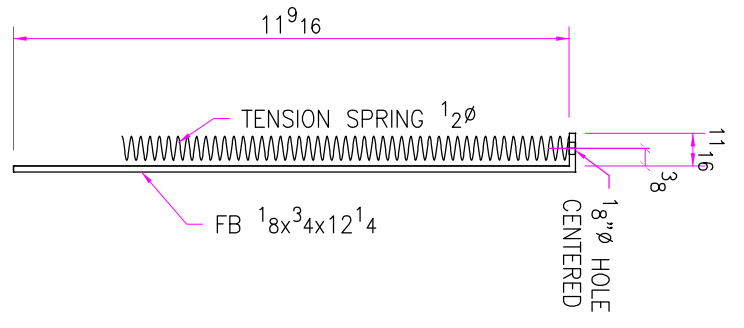
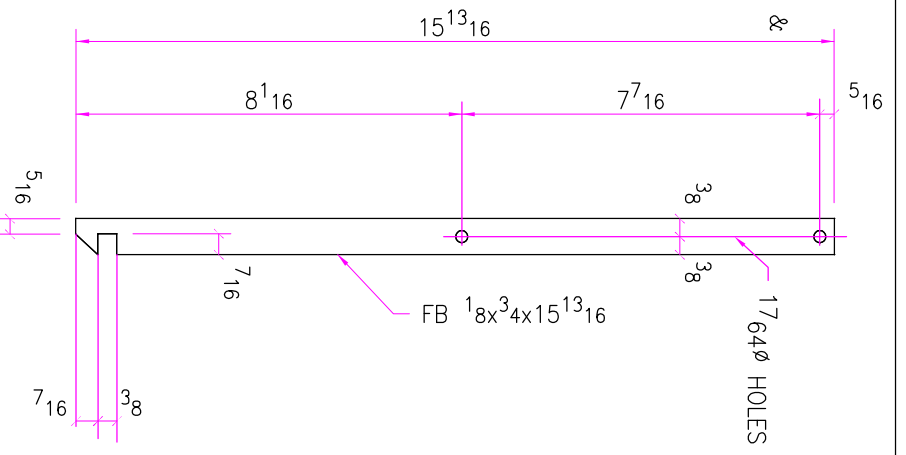
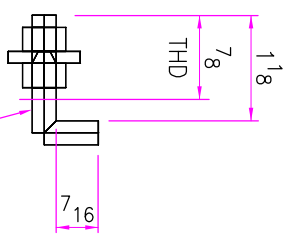
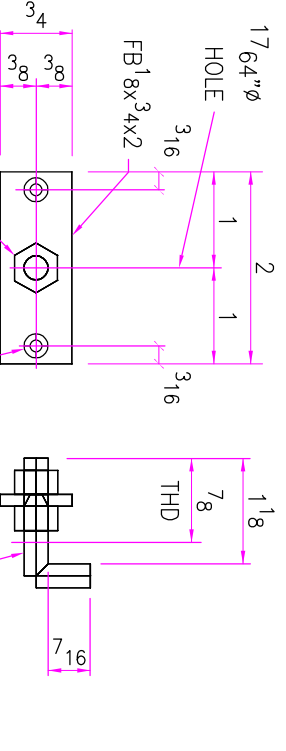
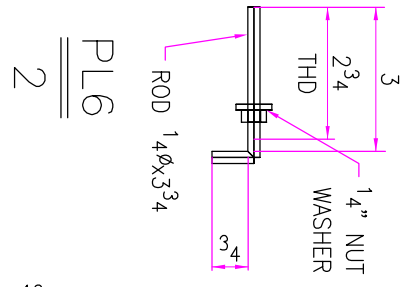
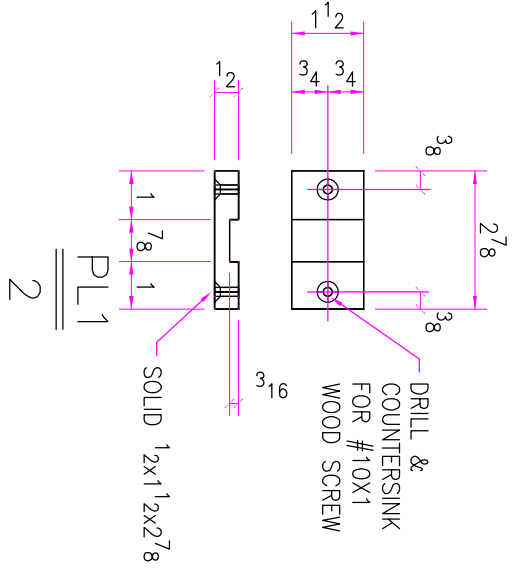
CHECKED



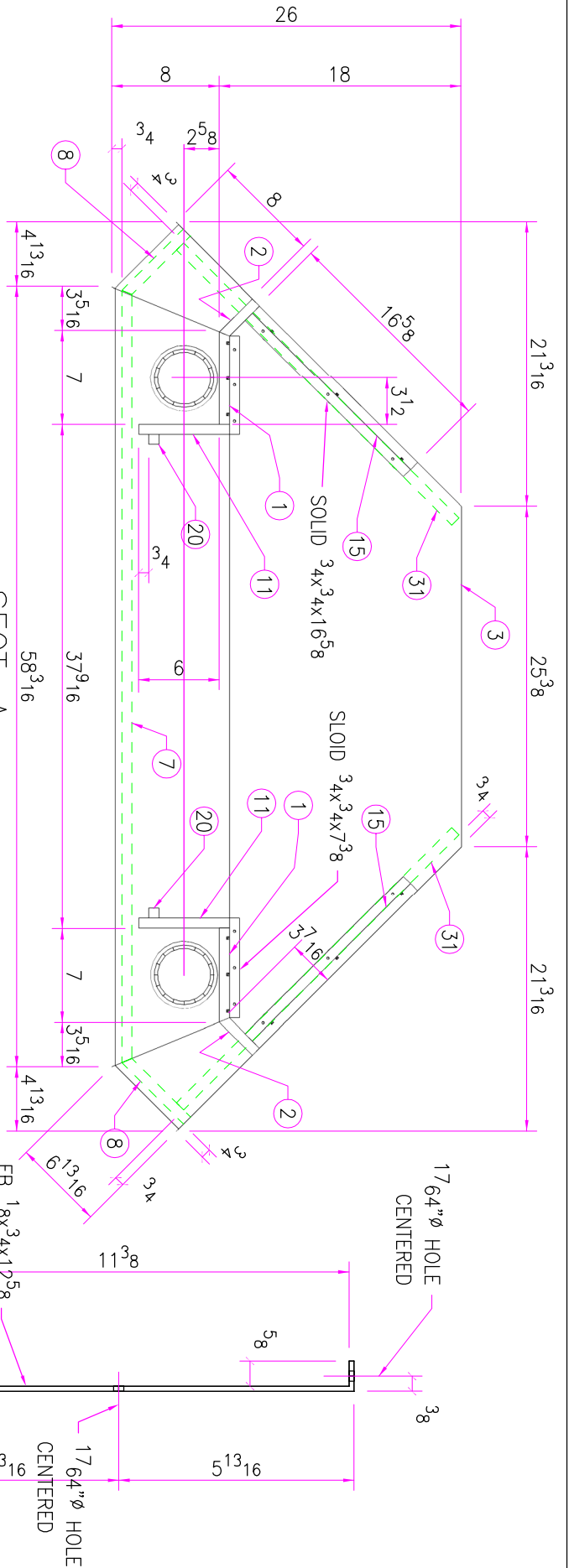
14
ONE



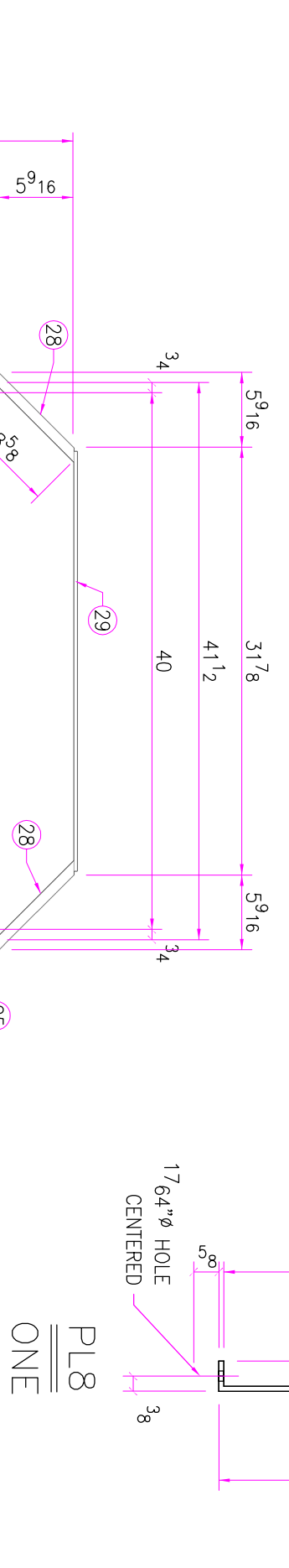
| | | | | | |
|--------------|------------------------------|-------------------------------|---------------------------------------|--------------|---------|
| SHEET # 6 | AutoSD, Inc. Meridian, MS | PROJECT FIREPLACE SURROUND | DETAIL OF PARTS 14, 15, 17 & 18 | DRAWN CRH | CHECKED |
|--------------|------------------------------|-------------------------------|---------------------------------------|--------------|---------|



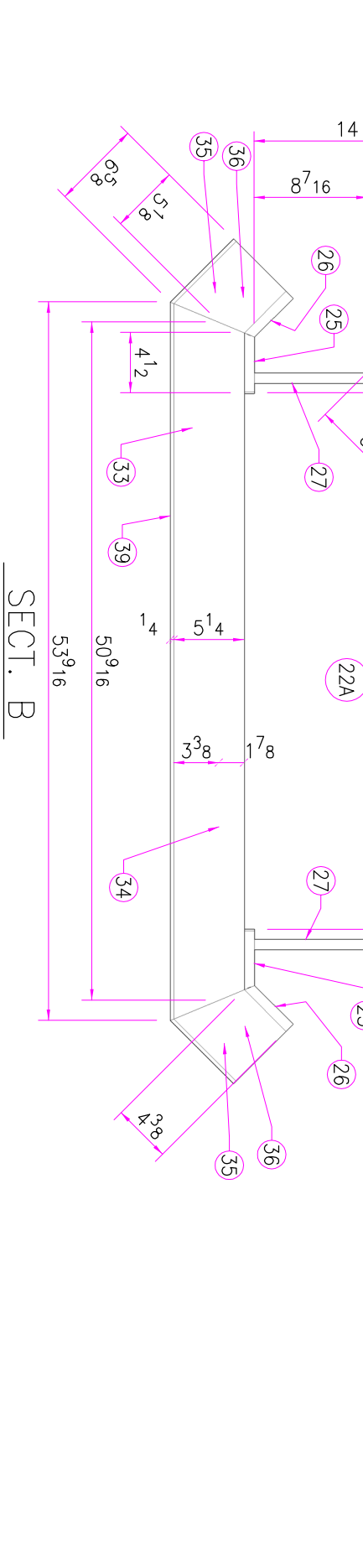
| | | | | | |
|--------------|------------------------------|-------------------------------|---|--------------|---------|
| SHEET # 8 | AutoSD, Inc. Meridian, MS | PROJECT FIREPLACE SURROUND | DETAIL OF PARTS PL1, PL2, PL3, PL4, PL5 & PL6 | DRAWN CRH | CHECKED |
|--------------|------------------------------|-------------------------------|---|--------------|---------|



SECT. A

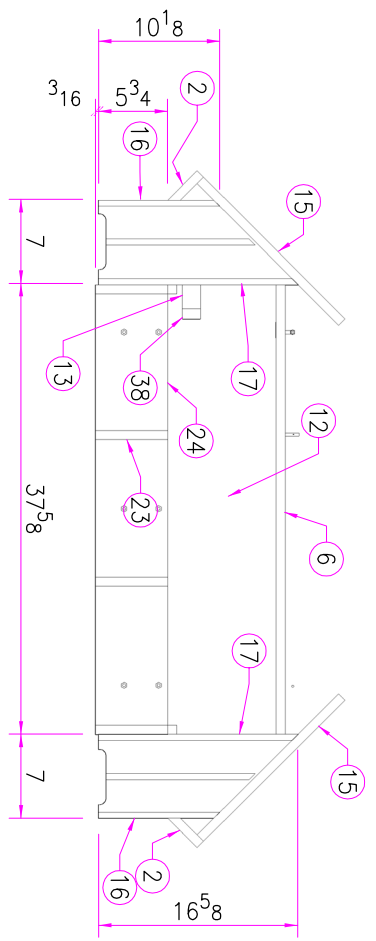


PL8 ONE

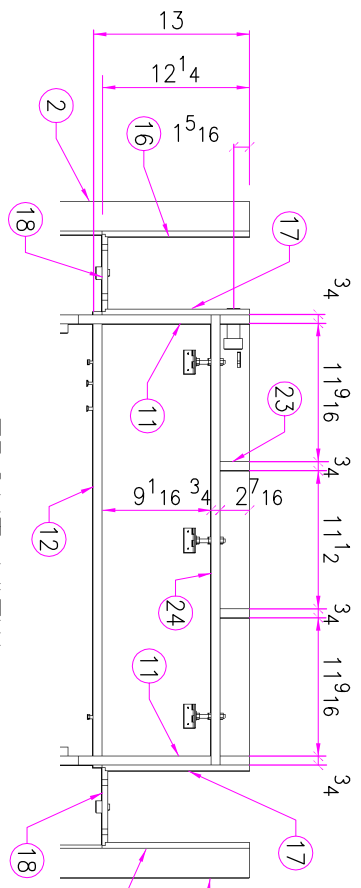


SECT. B

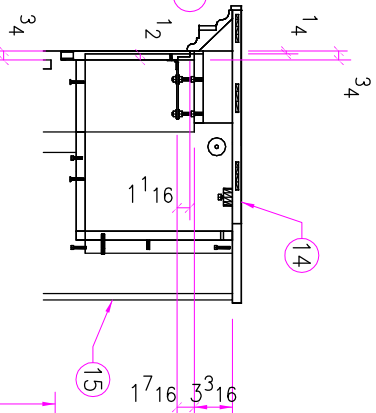
| | | | | | |
|--------------|------------------------------|-------------------------------|---|--------------|---------|
| SHEET # 9 | AutoSD, Inc. Meridian, MS | PROJECT FIREPLACE SURROUND | DETAIL OF SECTIONS A & B PART PL8 | DRAWN CRH | CHECKED |
|--------------|------------------------------|-------------------------------|---|--------------|---------|



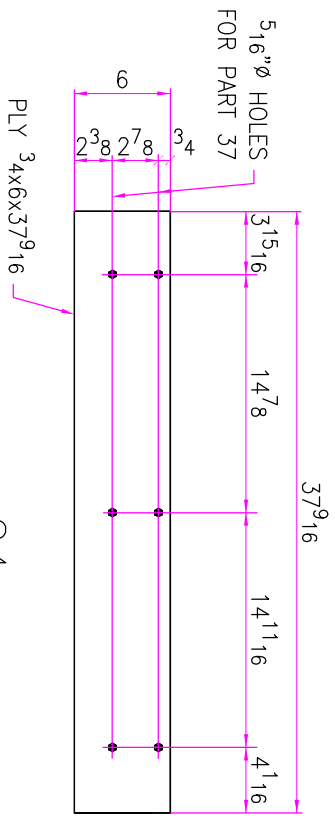
SECT. C



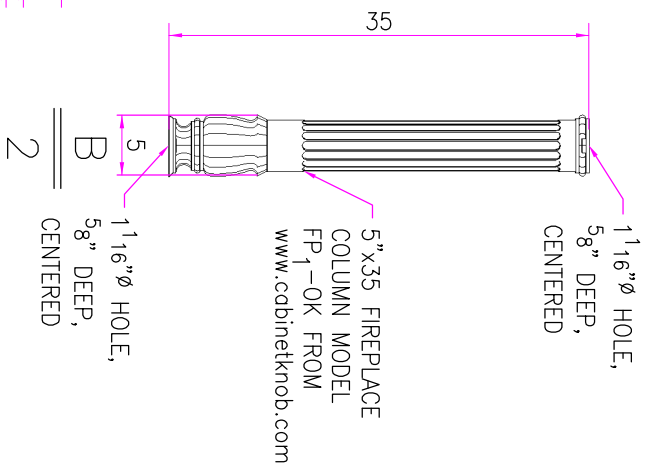
FRONT VIEW



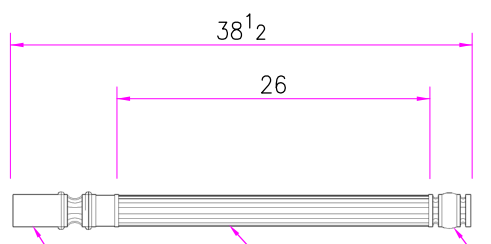
SIDE VIEW



24
ONE



B
2



C, D, E
2

1 1/16" Ø HOLE,
5/8" DEEP,
CENTERED

5" x 35 FIREBRICK
COLUMN MODEL
FP 1-OK FROM
www.cabinetknob.com

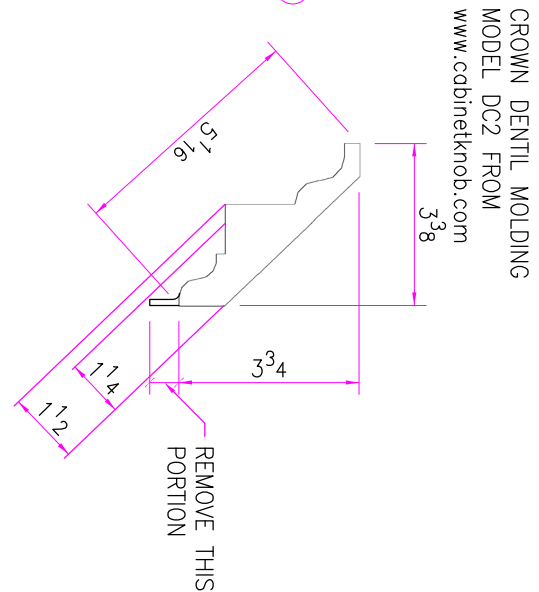
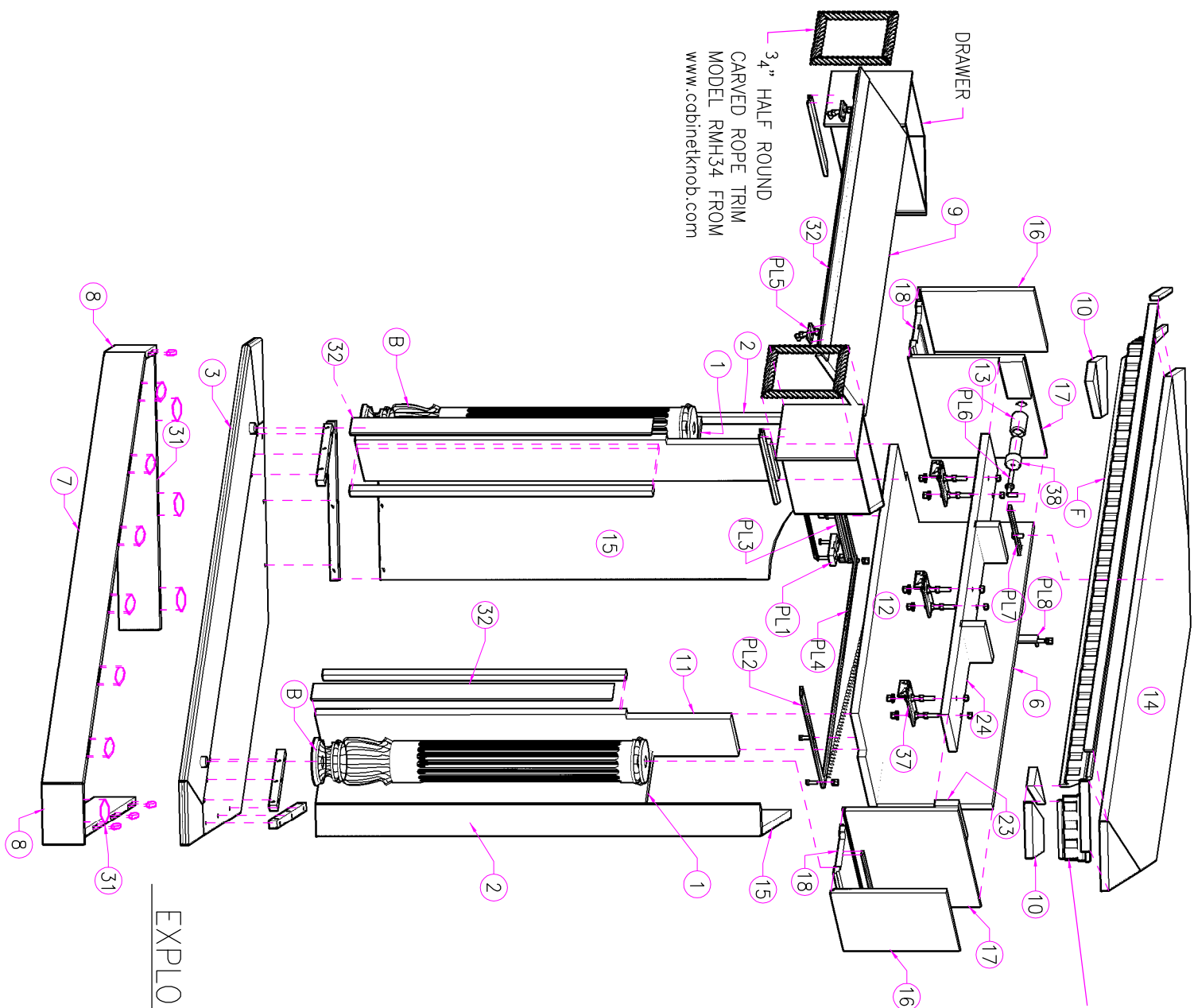
1 1/16" Ø HOLE,
5/8" DEEP,
CENTERED

E, 2 3/4 x 1 5/16" HALF
ROUND SPOOL MODEL
SPLH-2OK FROM
www.cabinetknob.com

D, 2" COLUMN HALF
ROUND REED PATTERN
MODEL CMR-2OK-36 FROM
www.cabinetknob.com

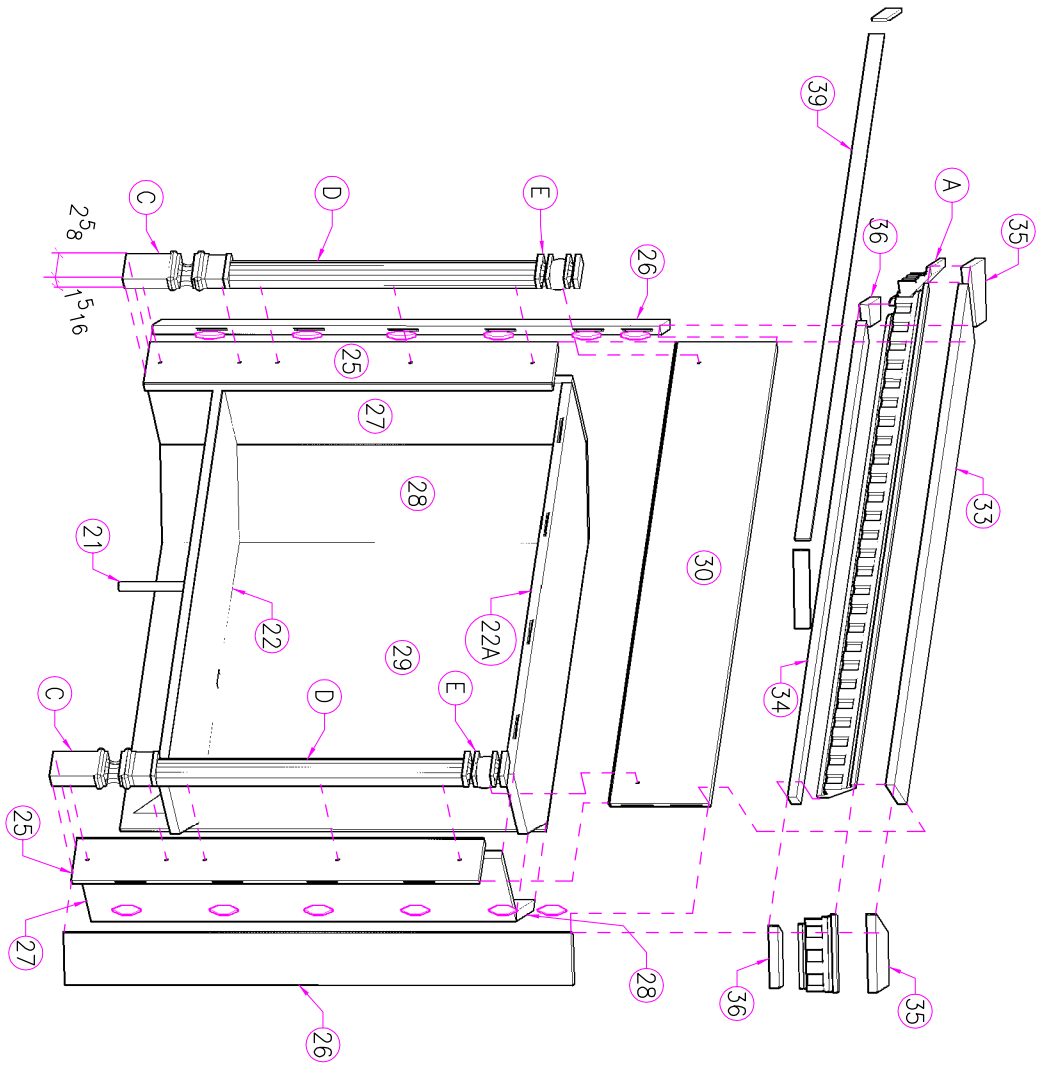
C, 2 3/4 x 1 5/16" HALF
ROUND SPOOL MODEL
SPLH-2OK FROM
www.cabinetknob.com

| | | | | | |
|---------------|------------------------------|-------------------------------|--|--------------|---------|
| SHEET # 10 | AutoSD, Inc. Meridian, MS | PROJECT FIREPLACE SURROUND | DETAIL OF SECTION C PART 24, B, C, D & E | DRAWN CRH | CHECKED |
|---------------|------------------------------|-------------------------------|--|--------------|---------|



EXPLODED VIEW LOWER SECTION

| | | | | | |
|---------------|------------------------------|-------------------------------|---|--------------|---------|
| SHEET # 11 | AutoSD, Inc. Meridian, MS | PROJECT FIREPLACE SURROUND | DETAIL OF EXPLODED VIEW LOWER SECTION | DRAWN CRH | CHECKED |
|---------------|------------------------------|-------------------------------|---|--------------|---------|



EXPLODED VIEW UPPER SECTION

| | | | | | |
|---------------|------------------------------|-------------------------------|---|--------------|---------|
| SHEET # 12 | AutoSD, Inc. Meridian, MS | PROJECT FIREPLACE SURROUND | DETAIL OF EXPLODED VIEW UPPER SECTION | DRAWN CRH | CHECKED |
|---------------|------------------------------|-------------------------------|---|--------------|---------|