

KING CAMP

QUANTITY	DESCRIPTION	GRADE	FEET	INCHES	MARK	UNIT WEIGHT	WEBSITE
ONE	HSS 2x1x1/8	6061	24	0	ma		
ONE	HSS 2x2x1/8	6061	3	0	mc		
2	1/4x4x3/4	6063	0	10	pb		
2	1/8x4x1/2		0	4 1/8	pc	CUT FROM 1/8x4x1/2	
4	1/8x4x3/8		0	4 1/2	pd		
2	1/8x4x2 3/4		0	3 3/4	pf		
2	1/8x4x5 1/4		0	10 3/4	pg ^{R/L}		
2	1/8x4x2 1/2		0	6 1/4	ph		
2	1/8x4x2 13/16		0	4 3/16	9C		
ONE	1/8x4x2 1/16		0	2 3/4	pt	SPARE TIRE MOUNT	
2	1/8x4x1 1/2		0	1 1/2	8C		
4	1/8x4x1		0	1 3/4	pn		
2	1/8x4x1 1/2		0	4	pp		
2	1/8x4x1 1/2		0	4	ps		
2	1/8x4x2 13/16		0	4 3/16	9C		
2	1/8x4x2 13/16		0	4 3/16	9C		
2	1/8x4x2 11/16		0	6 3/4	15A	o	
ONE	FB 1/4x2		0	34	8B		
2	1/4x1 1/2	o	0	2	pk		
ONE	DIAMOND 1/8 .072x48	3003 H22	12	0	pa	ww3.metalsalesusa.com or www.eaglealloys.com/ or www.coremarkmetals.com/	
ONE	DIAMOND 1/8 .072x48	3003 H22	8	0	pa	www.onlinemetals.com	
ONE	FB 1/8x1 1/2	A36	6	4	15A		
ONE	HSS 1 1/4x1 1/4x1/8	6063 T52	1	11	mm	SPARE TIRE MOUNT	
ONE	L1x1x1 1/16	6063 T52	13	10	af		
4	L1 1/2x1 1/2x1/8	6061 T6	0	2	aa	SPARE TIRE MOUNT	
ONE	L1 1/2x1 1/2x1/8		0	6	ac		
2	FB 1/4x1 1/2		0	6 13/16	pm	SPARE TIRE MOUNT	
ONE	L1x1x1/8		1	0	ah	SPARE TIRE MOUNT	
ONE	L1x1x1/8		0	4 1/2	ak	o SPARE TIRE MOUNT	
2	L1 1/4x1 1/4x1/8		0	4	ab		
4	L1x1x1/8	o	0	1 1/2	10E		
2	HSS 1 1/2x1 1/2x1/8	6063 T52	3	6	14A ^{R/L}	CARGO DOOR SUPPORT	
5	HINGE		0	4	mk		
ONE	7/8" TUBE x .058	6061 T6	8	0	LANAI		
4	7/8" TUBE x .058		12	0	#1, #3, #4, #5	http://www.webendtube.com	
ONE	7/8" TUBE x .058		14	0	#2		
2	1" TUBE x .049		12	0	#1, #3, #4, #5		
ONE	1" TUBE x .049		8	0	LANAI		
ONE	1 1/8" TUBE x .049		6	0	#5		
ONE	1" TUBE x .083		4	0			
ONE	1 1/4" TUBE x .083		12	0			
ONE	3/4" TUBE x .058	o	12	0			
ONE	DEXTER #8 TORFLEX AXLE w/BRAKES		0	31			
3	5.30x12 WHEEL, 5 LUG						
2	1" x 48" 3LB EPS POLYSTYRENE		8	0	6A,6B,6C		
4	1/8" x 48" PLASTIC SHEET		8	0	6D		
1	GAL GLIDDEN GRIPPER PRIMER/SEALER						

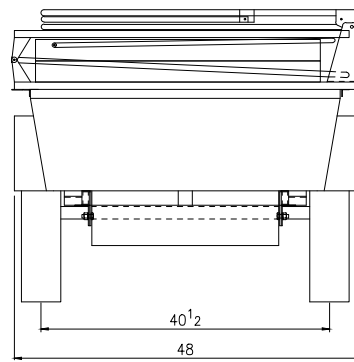
QUANTITY	DESCRIPTION	FEET	INCHES	COST	PART NO/COLOR	WEBSITE
ONE	12 MIL Tinted Vinyl Film 40" x	6	YDS			https://www.openfos.com/supply/2588046-VEADA-INDUSTRIES-INC-in-New-Paris-IN/
ONE	HEAVY MOSQUITO NETTING 123" x	11	FT		BLACK	http://www.mosquitocurtains.com
ONE	HEAVY MOSQUITO NETTING 123" x	15	FT		BLACK	@ MINI DEN & LANAI
ONE	#8 Coil Zipper Tape	48	YDS		WHITE	https://www.seattlefabrics.com/
ONE	#8 Coil Zipper Tape	8	YDS		WHITE	@ MINI DEN
4	#8 Coil DOUBLE SLIDER				WHITE	
32	#8 Coil SINGLE SLIDER				WHITE	4 @ MINI DEN
4	#10 ONE-WAY VISLON MARINE Zipper	120			WHITE	2 @ LANAI TOP & 2 @ MINI DEN
7	#10 ONE-WAY VISLON MARINE Zipper	84			WHITE	3 @ LANAI SIDES, 3 @ MINI DEN, ONE @ LANAI TOP
ONE	#10 ONE-WAY VISLON MARINE Zipper	72			WHITE	@ AC DUCT
4	V69 POLYESTER THREAD - 1 oz SPOOL				WHITE	
10	#10 Zipper Top Stops					o
ONE	600 DENIER URETHANE COATED 60" x	28	YDS		DARK FOREST	https://tvfinc.com/Polyester-Fabrics.dept
ONE	600 DENIER URETHANE COATED 60" x	6	YDS		DARK FOREST	@ MATTRESS COVER
ONE	600 DENIER URETHANE COATED 60" x	11 1/4	YDS		DARK FOREST	o @ MINI DEN
ONE	18.0 oz VINYL COATED POLESTER 98"	11	YDS		WHITE	www.fscfc.com/ @ ROOF, FLOOR & CAMPER COVER
3	STABILIZER JACKS					https://www.etrailer.com
ONE	STOP/TURN/TAIL LIGHT RIGHT HAND				ST56RB	
ONE	STOP/TURN/TAIL LIGHT LEFT HAND				ST57RB	
2	Side Marker Light				MC37AB	
ONE	INTERIOR LIGHT				433600	
ONE	HITCH 1 7/8 BALL 2" CHANNEL 2833AT					
ONE	Stud Mount Trailer License Plate Light				LP41CB	o
ONE	BINDING 1"	43	YDS		WHITE	http://www.mosquitocurtains.com
ONE	EconoFlex C55 FOAM 2 x 76	80	0		2 lb sq ft	https://www.foamorder.com/mattress/foam_mattress.html
ONE	Memory foam mattress pad 1 x 76	80	0		5.3 lb sq ft	
ONE	400-6-5 TENSION GAS SPRING, 1-BESS-257	1	HEF10M			https://www.ameritoolmfg.com/
4	AB115-Z					http://www.signatureseriesqasspring.com
ONE	AB145-Z					
2	GAS SPRING ST270P-70	0	27			
3	GAS SPRING SX150P-40	0	15			
5	BS10-01-Z					o
ONE	2 Point Rod Actuated Paddle Handle Lock EB-3-4972-U-SS-545				IH4972SSU	https://www.realworktrucks.com/service-truck-hardware/paddle-handles/paddle-handle-2-point-locking-complete-stainless.html
4	McNett Seam Grip Seam Sealer					https://www.questoutfitters.com
2	TENACIOUS SEALING & REPAIR TAPE					
37	ZIPPER CORD					
ONE	ROUND DRAWCORD 1/8 BLACK	10	YDS			
ONE	ELASTIC CORD & SHOCK CORD 3/16 BLACK	1	YD			
ONE	ELASTIC CORD & SHOCK CORD 1/4 BLACK	8	YDS			
ONE	HOOK-SEW-ON WHITE 3/4" #2100	3	YDS			
ONE	LOOP-SEW-ON WHITE 3/4" #2101	10	YDS			
ONE	LOOP-SEW-ON BLACK 1" #2102	10	YDS			
ONE	HOOK-GLUE-ON BLACK 1" #2122	16	YDS			o
3	#0054-G GROMMET 60 DURO SBR 1/8 ID 1/4 OD 1/16 G					https://industrial-rubber-products.astrotext.com
2	#0097 GROMMET 60 DURO SBR 1/4 ID 7/16 OD 1/16 G					
ONE	#0653 GROMMET 60 DURO SBR 1/2 ID 3/4 OD 1/8 G					o

ROOF & FLOOR: 18 OUNCE VINYL
 WALLS: 600 DENIER URETHANE COATED
 WINDOWS: 18x16 MESH NETTING, 600 DENIER URETHANE COATED AND 12 MIL TINTED VINYL FILM, (IN DRESSING AREA AND HEAD OF BED)

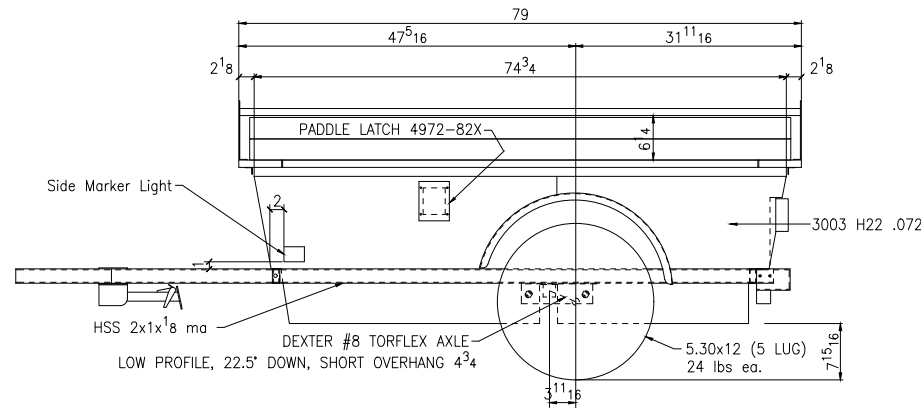
KING CAMP

76" x 80" (STANDARD KING)
 72" x 84" (CALIFORNIA KING)

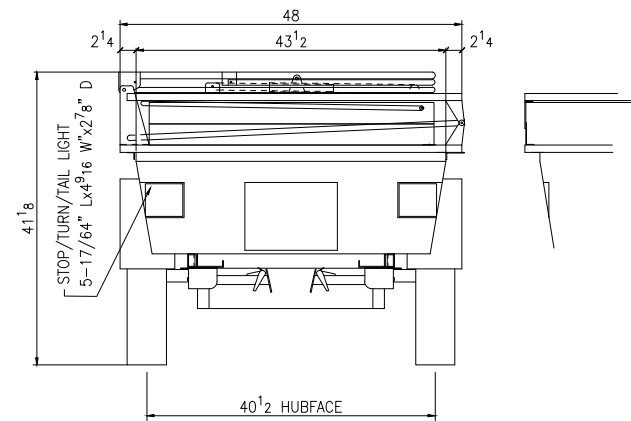
DRAWINGS ARE 11" x 17"



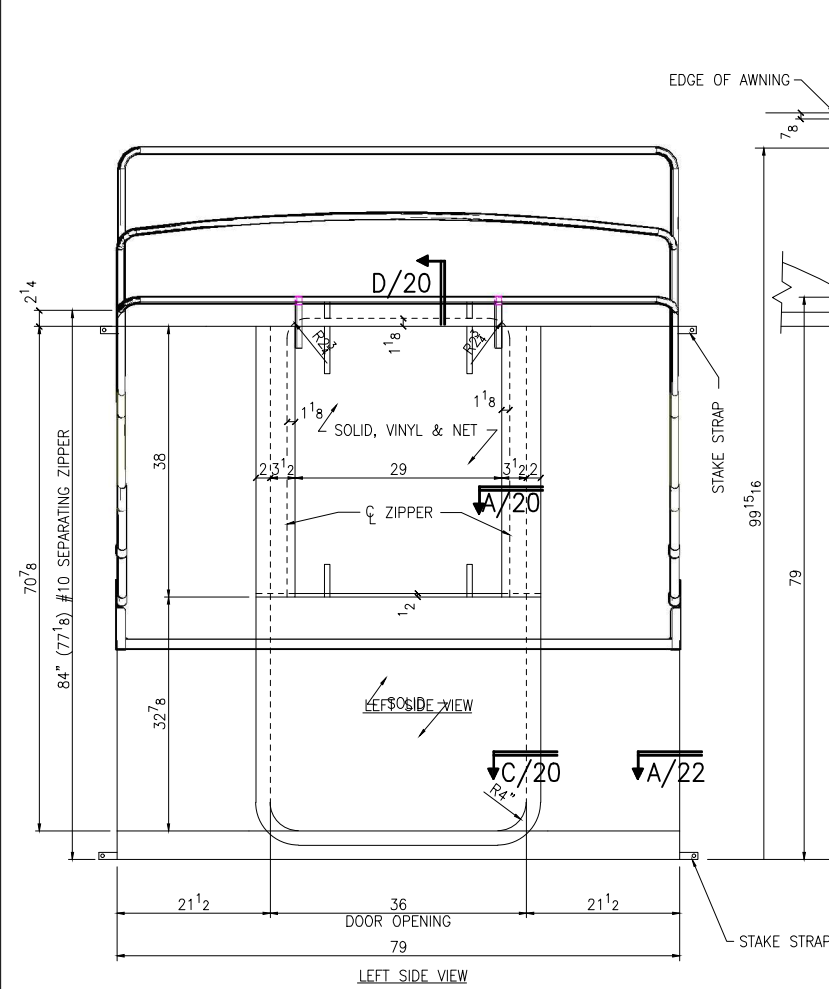
FRONT VIEW



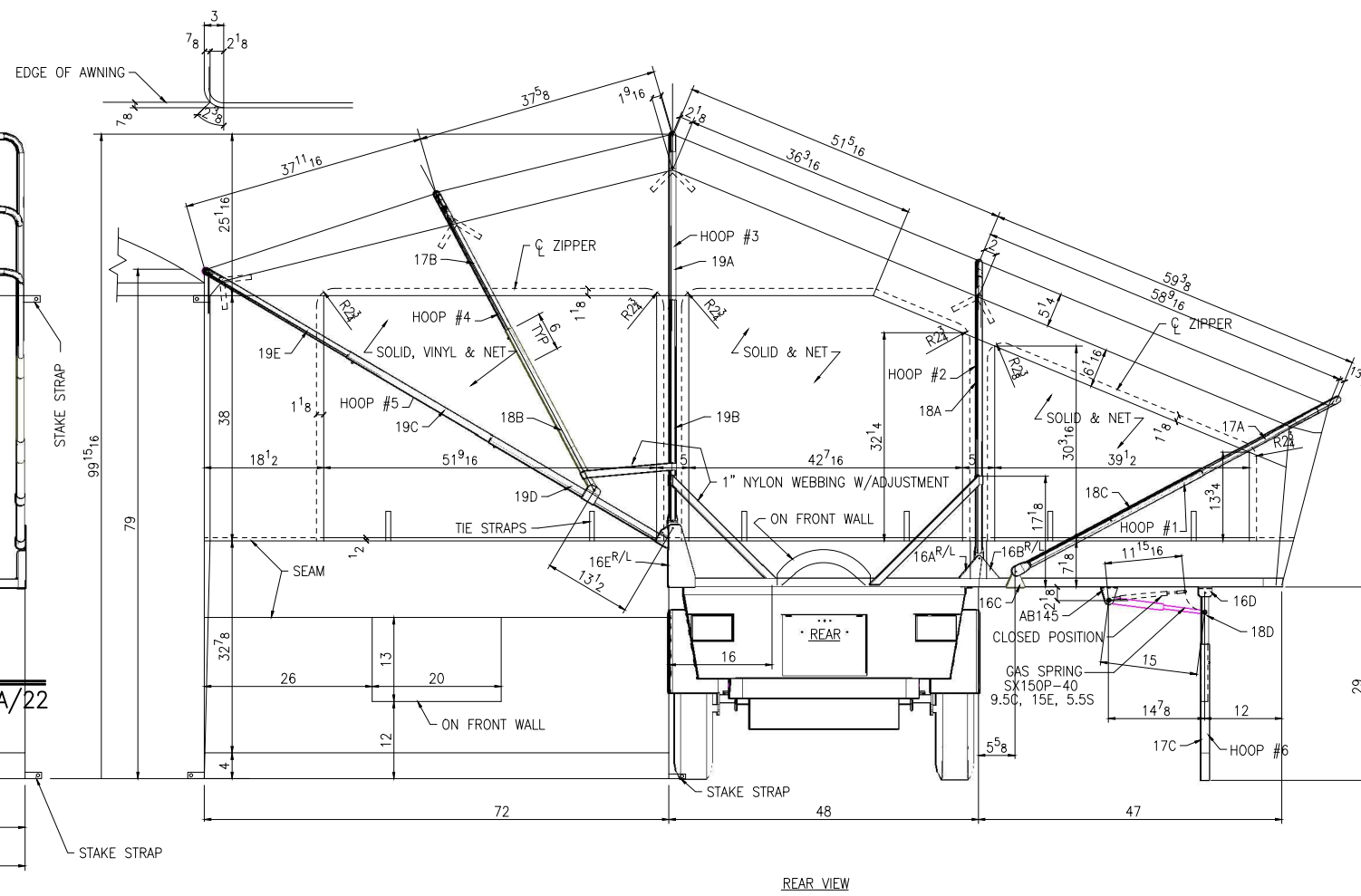
LEFT SIDE VIEW



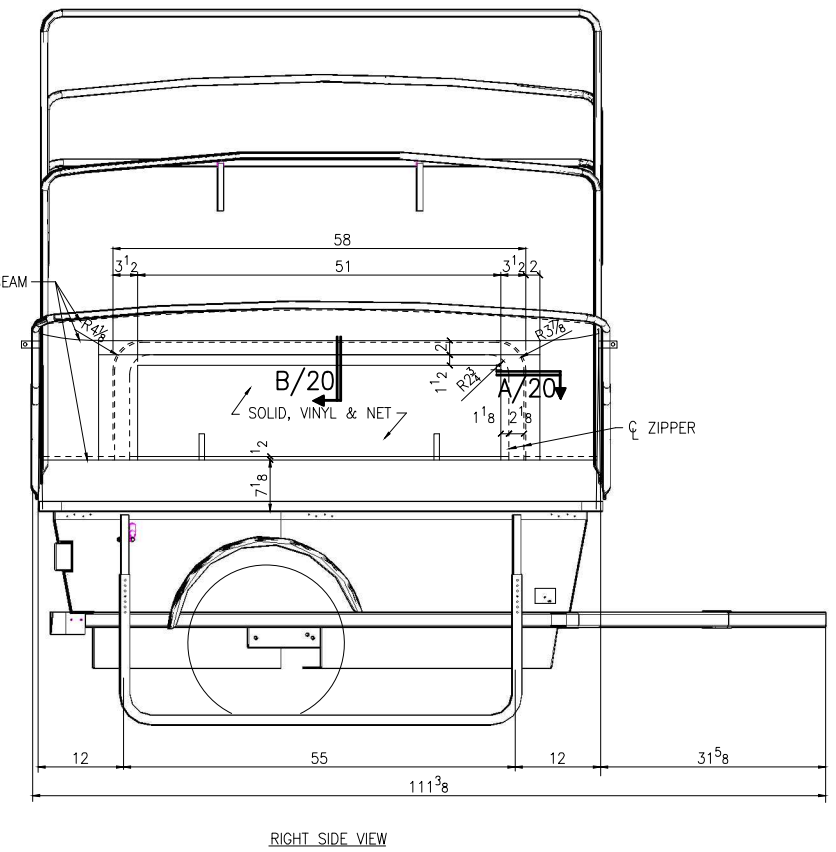
REAR VIEW



LEFT SIDE VIEW



REAR VIEW



RIGHT SIDE VIEW

SHEET #
ONE

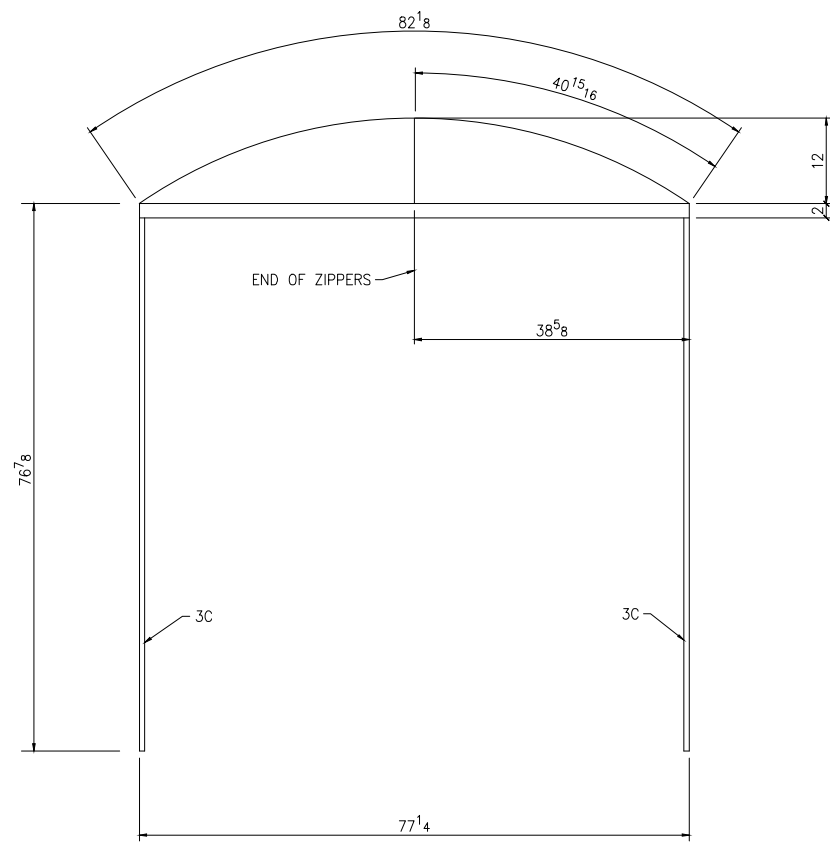
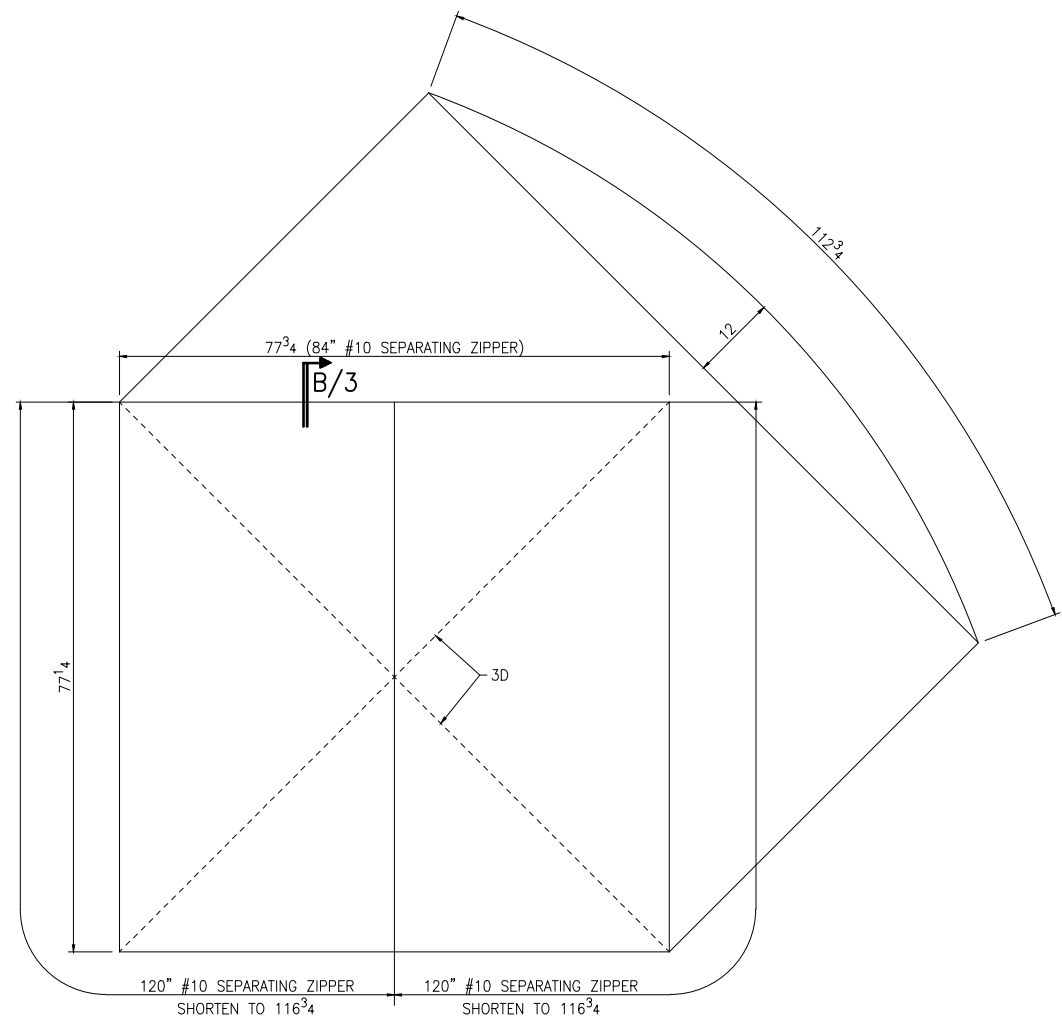
AutoSD, Inc.
Meridian, MS

PROJECT KING CAMP
MATERIAL Aluminum 3003 H22

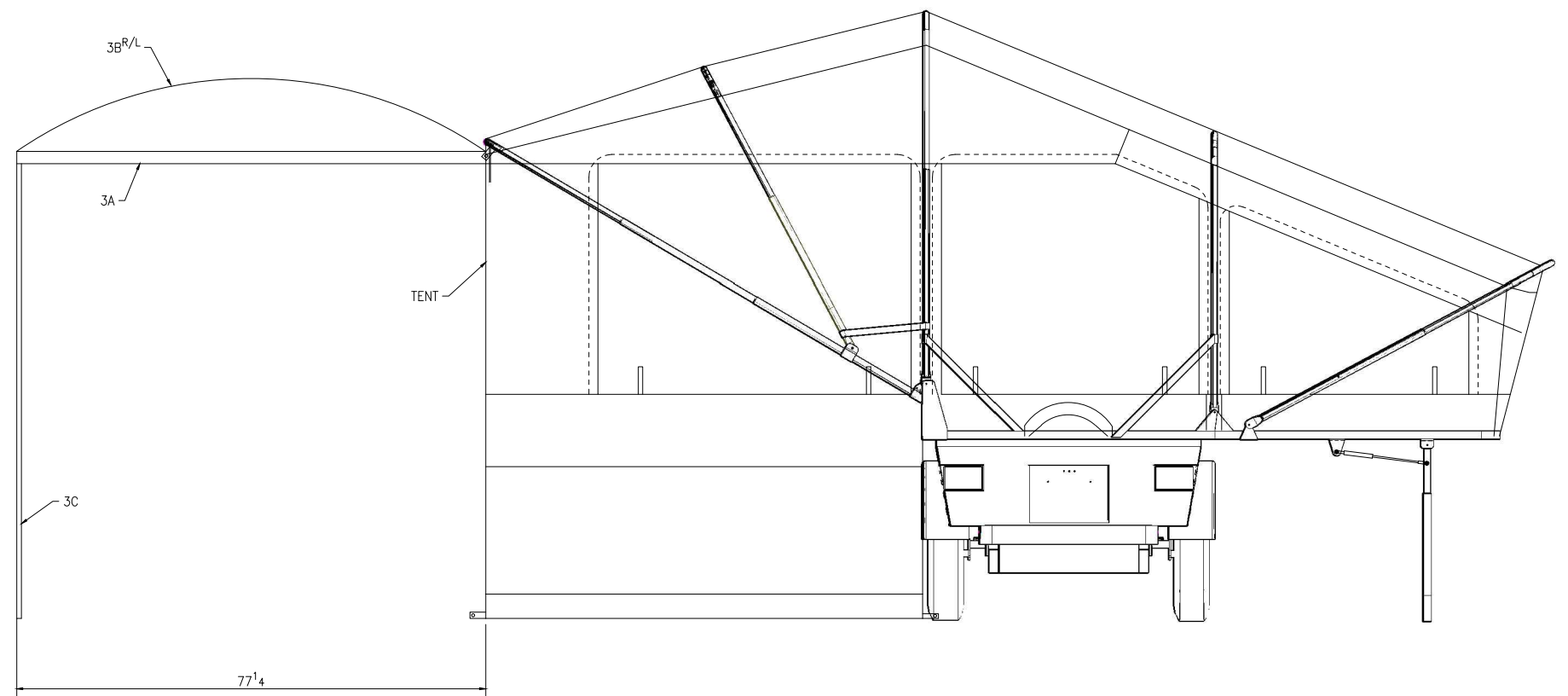
DETAIL OF
ELEVATION & PLAN VIEWS

DRAWN
CRH

CHECKED



LEFT SIDE VIEW



LANAI OR MINI DEN

REAR VIEW

CHECKED

DRAWN
CRH

DETAIL OF
OPTIONAL FRONT AWNING
ELEVATION & PLAN VIEWS

PROJECT KING CAMP

MATERIAL

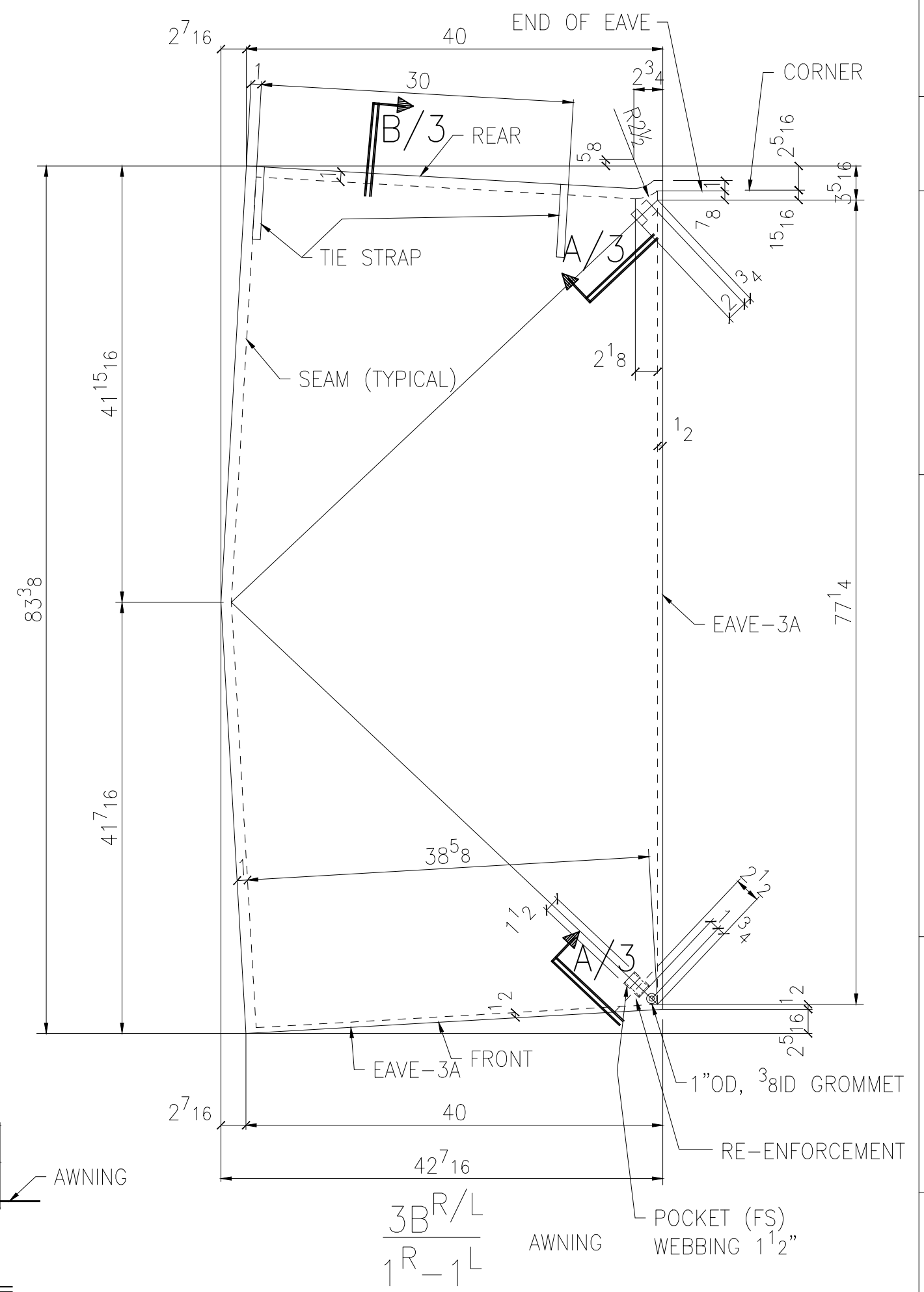
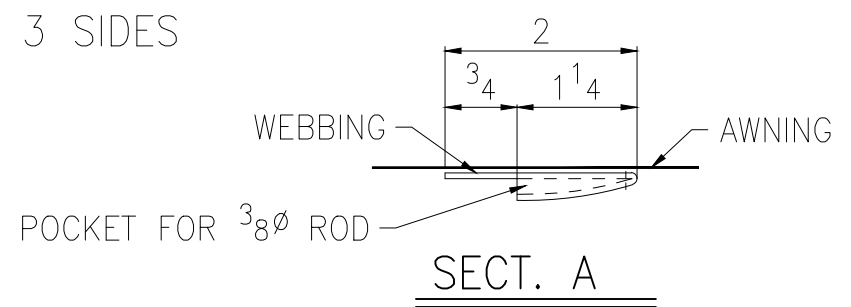
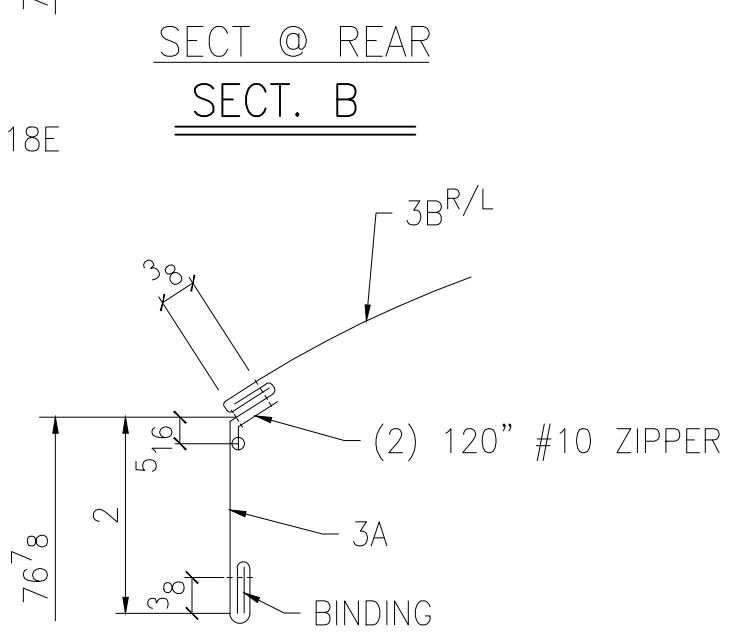
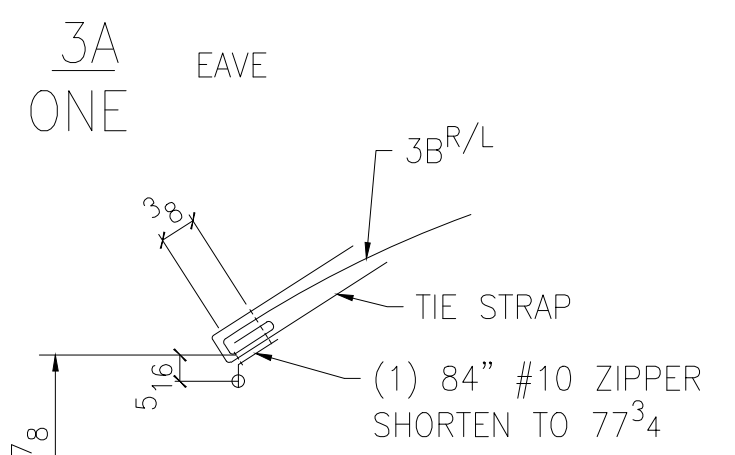
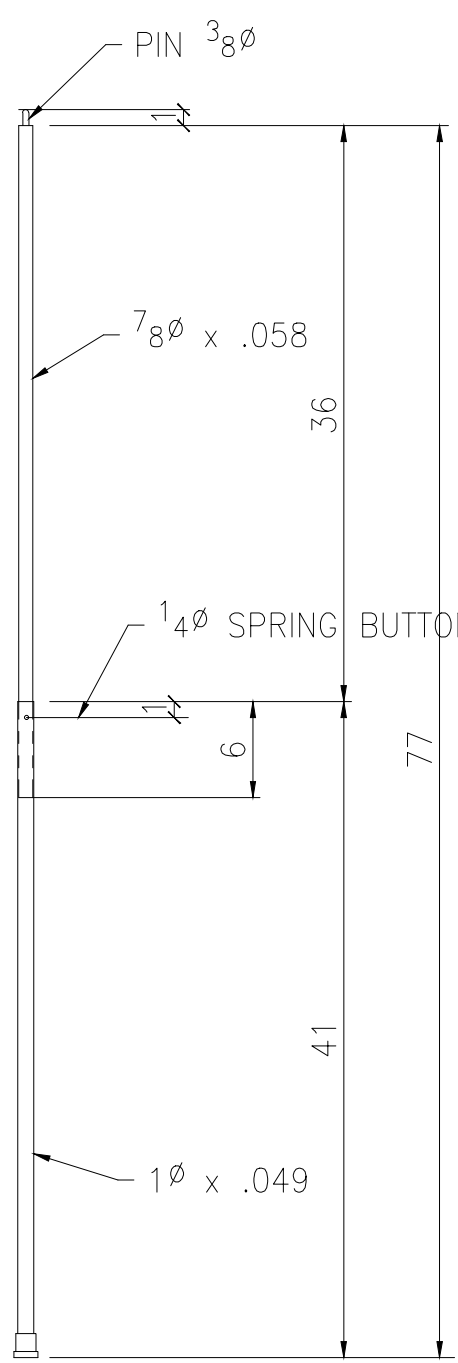
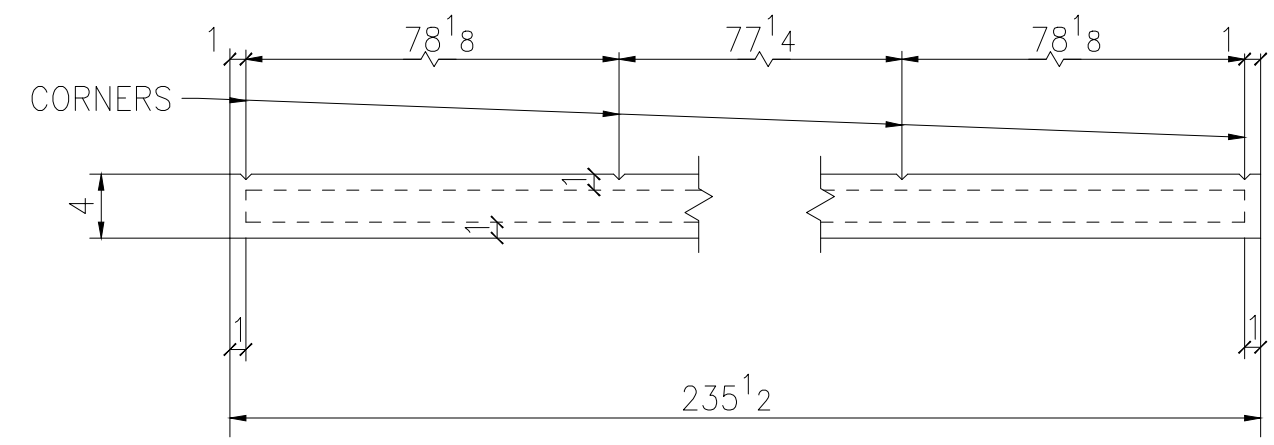
AutoSD, Inc.
Meridian, MS

SHEET #
2

110±

AWNING ROFF SUPPORT POLES
BRILLIANCE4U ALUMINUM TENT POLES REPLACEMENT

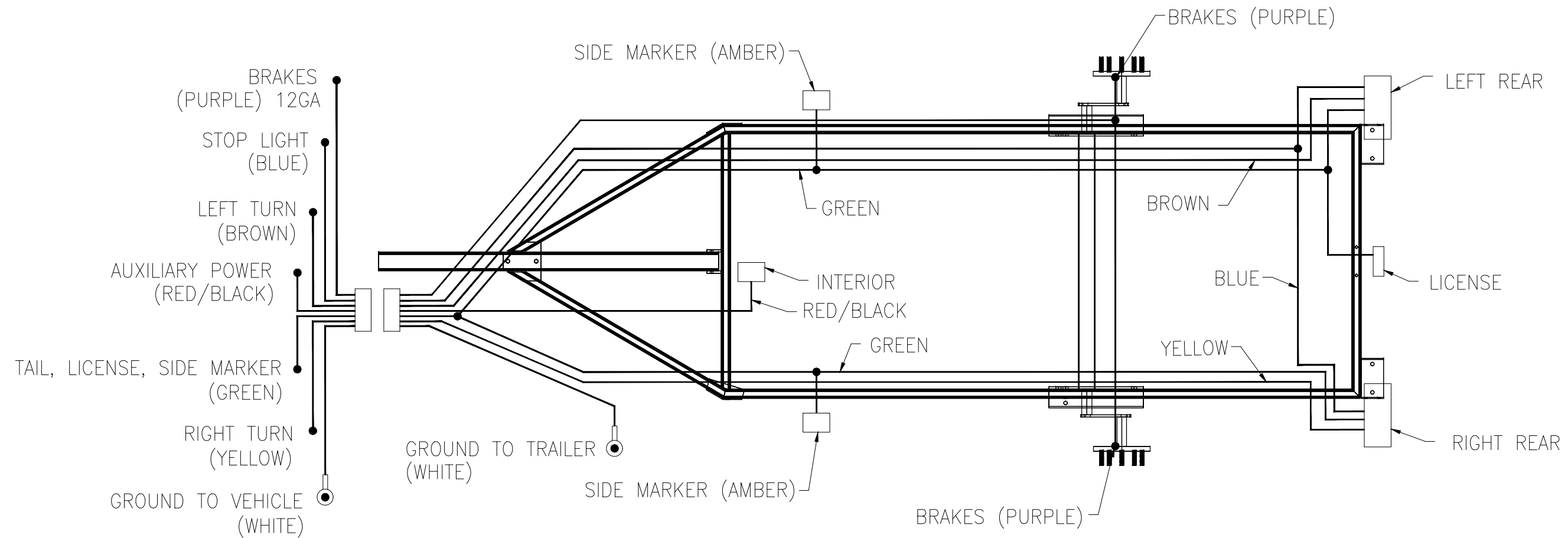
$\frac{3D}{2}$
 $\frac{3C}{2}$ AWNING POLES



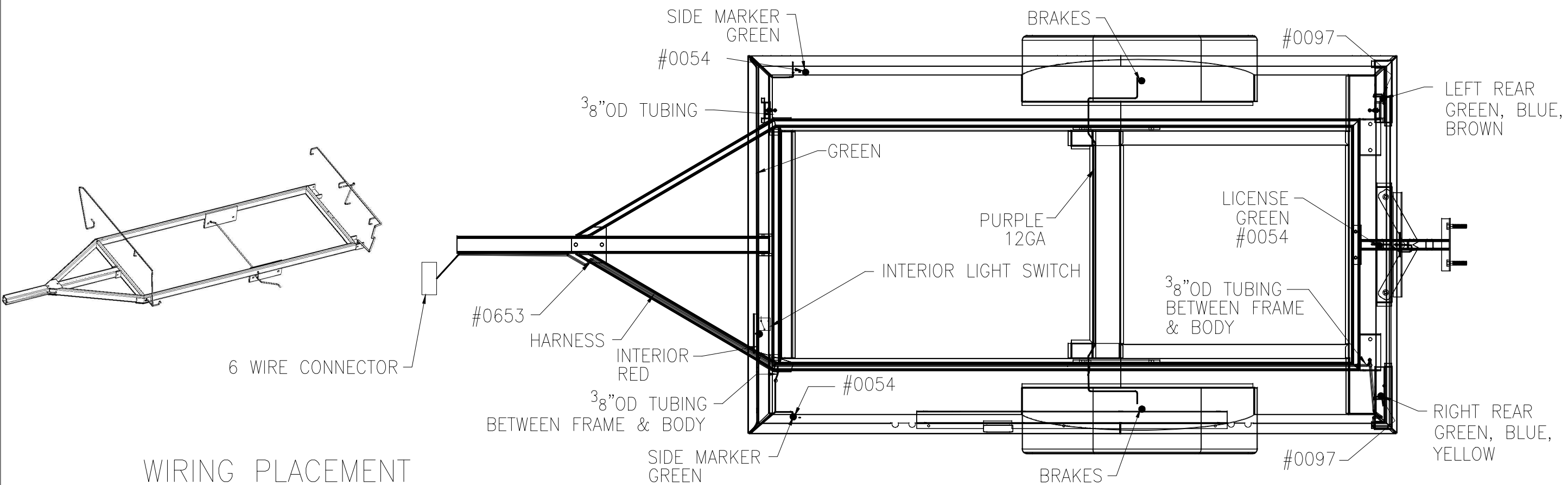
SHEET #	3	PROJECT	KING CAMP	DETAIL OF	OPTIONAL FRONT AWNING	DRAWN	CRH	CHECKED	
			MATERIAL		600 DENIER URETHANE COATED				

AutoSD, Inc.
Meridian, MS

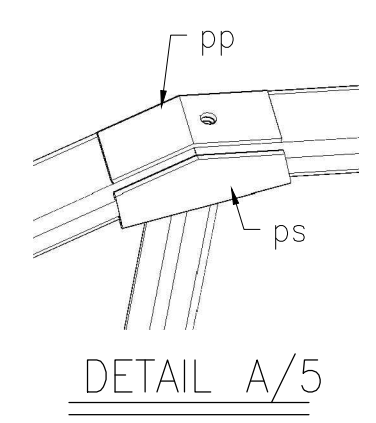
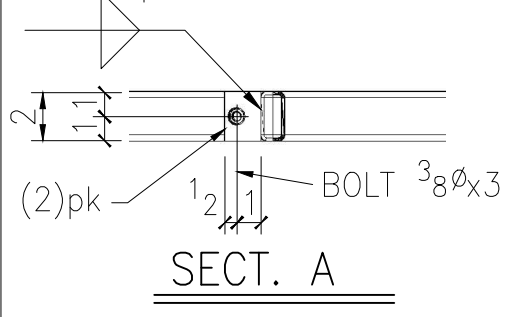
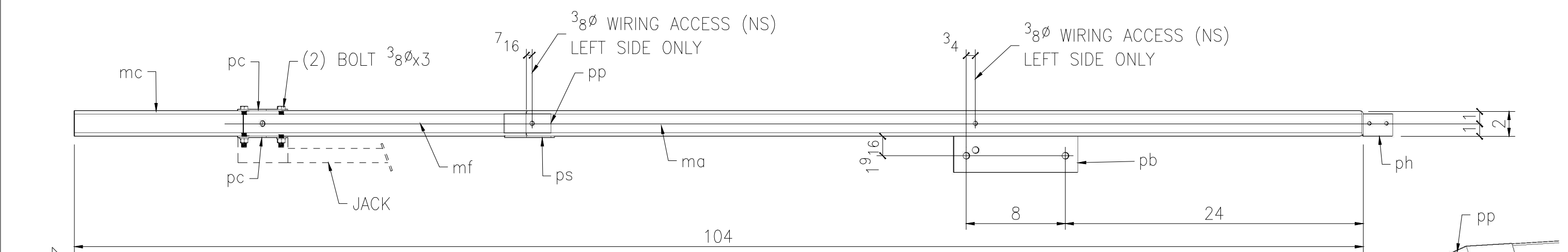
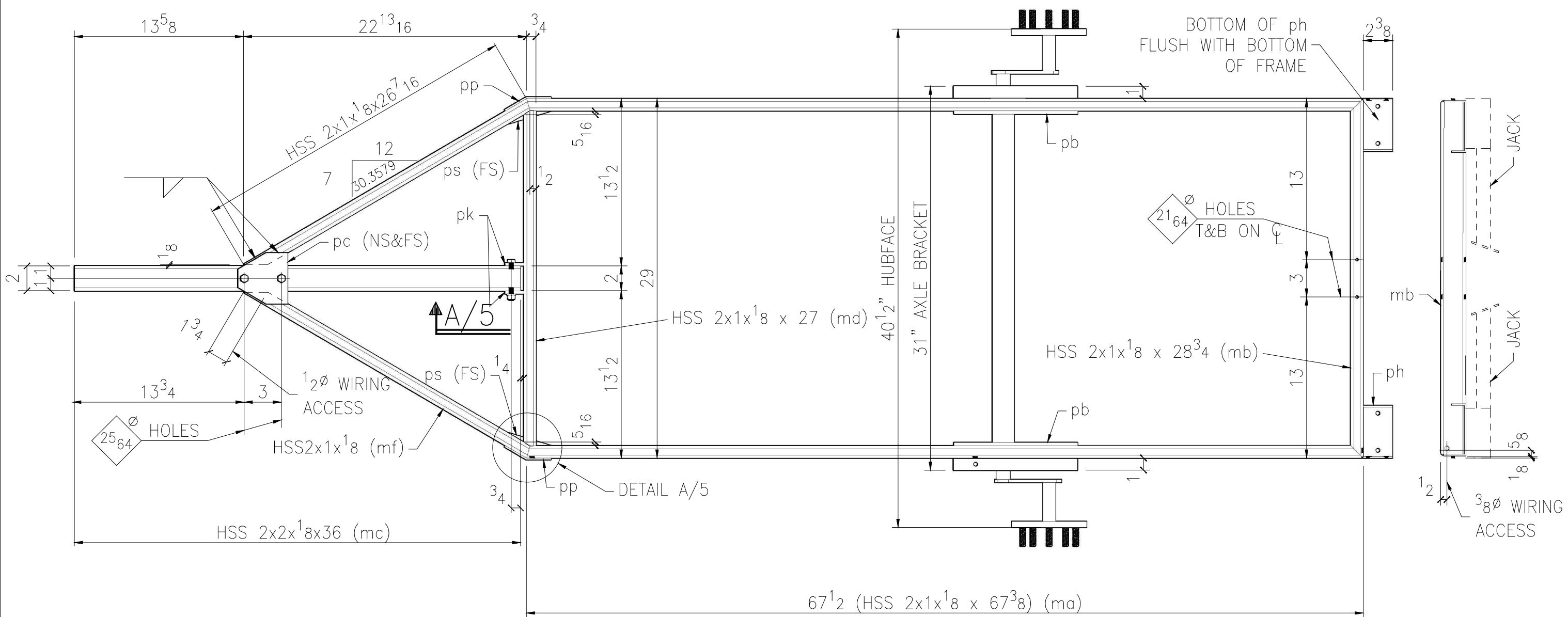
WIRING SCHEMATIC



WIRING PLACEMENT

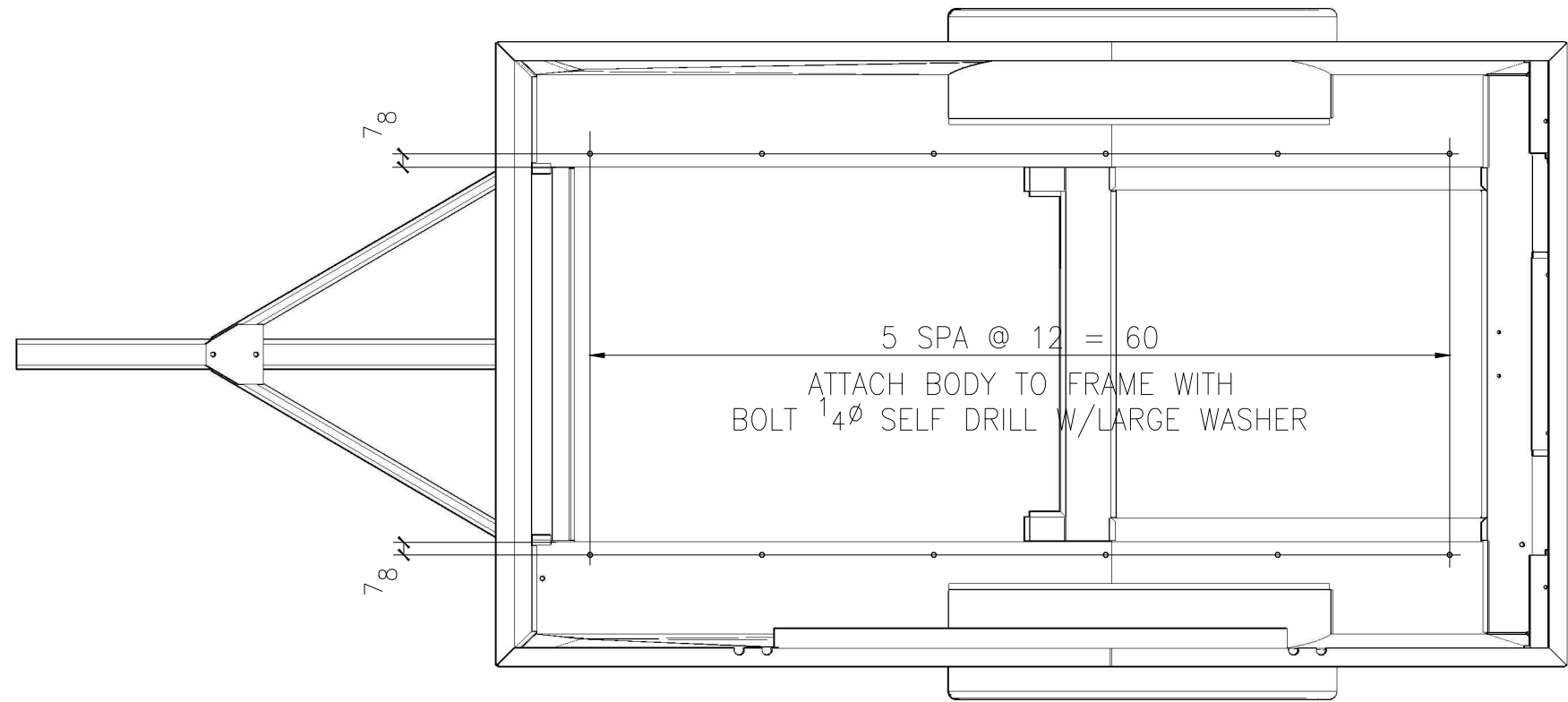


SHEET #	4
PROJECT	KING CAMP
DRAWN	CRH
DETAIL OF	WIRING DIAGRAM
CHECKED	
MATERIAL ALL WIRING IS 16GA UNO	
AutoSD, Inc. Meridian, MS	

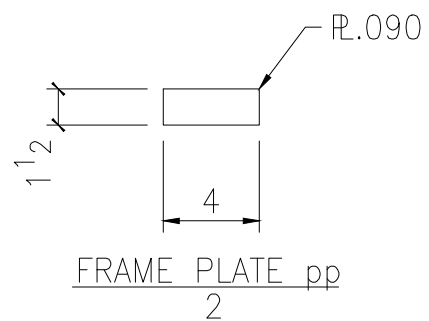
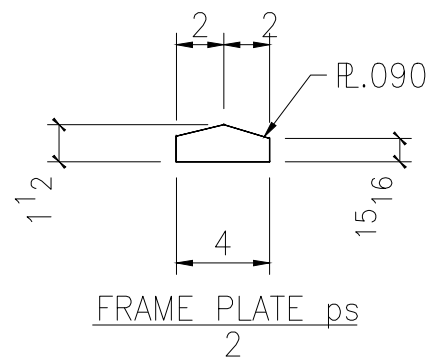
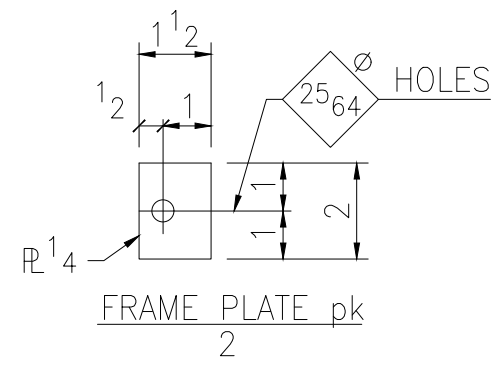
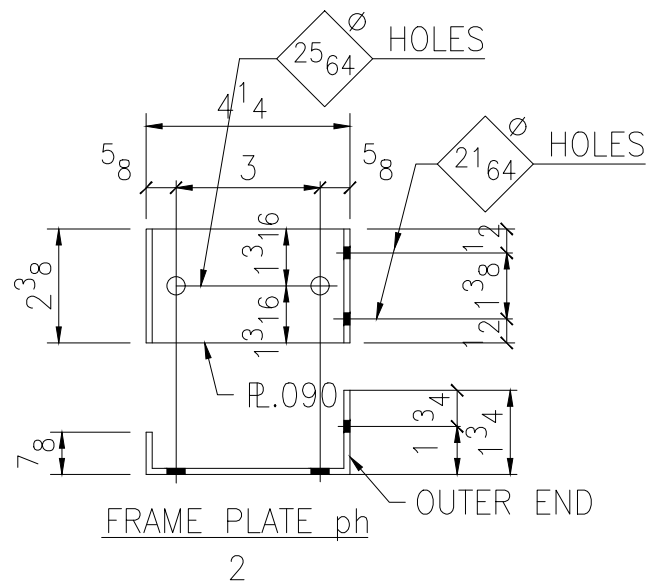
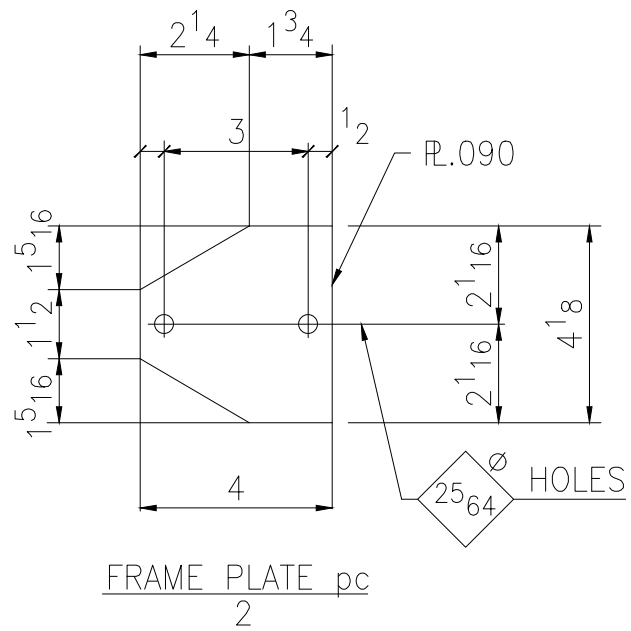
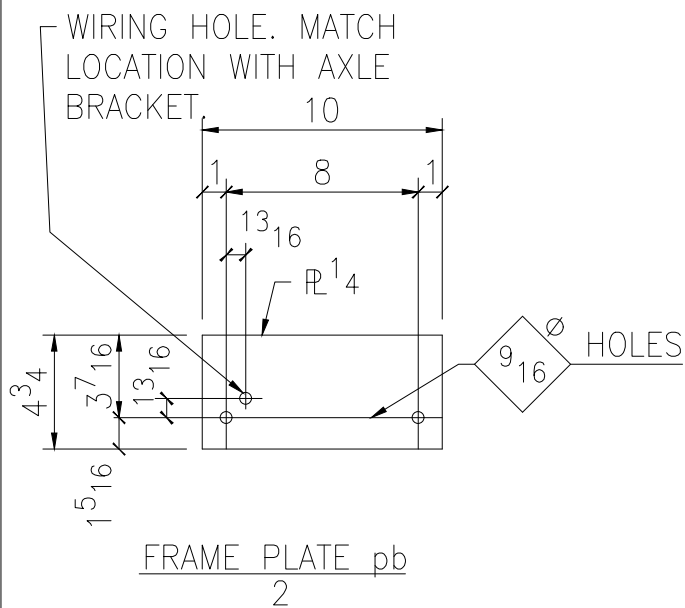


5A ONE FRAME (SCALE: 1¹/₂" = 1'-0")

SHEET #	5	PROJECT	KING CAMP	DETAIL OF	FRAME	DRAWN	CRH	CHECKED	
AutoSD, Inc. Meridian, MS		MATERIAL	HSS-6061 T6. R-3003 H22						

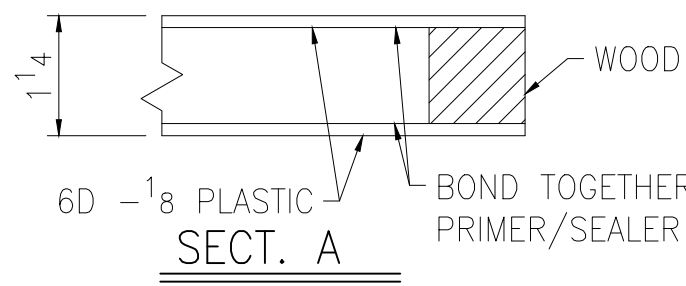
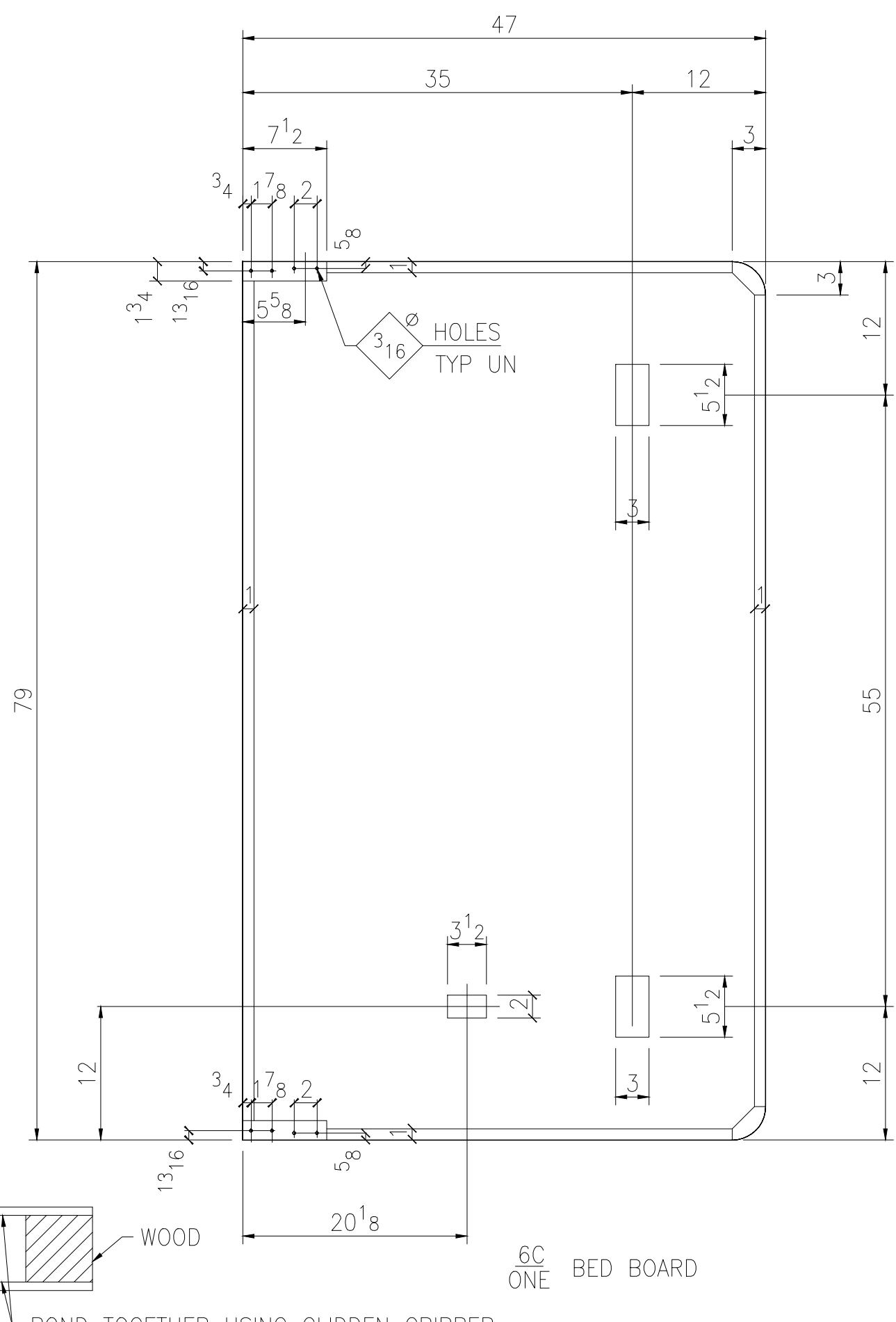
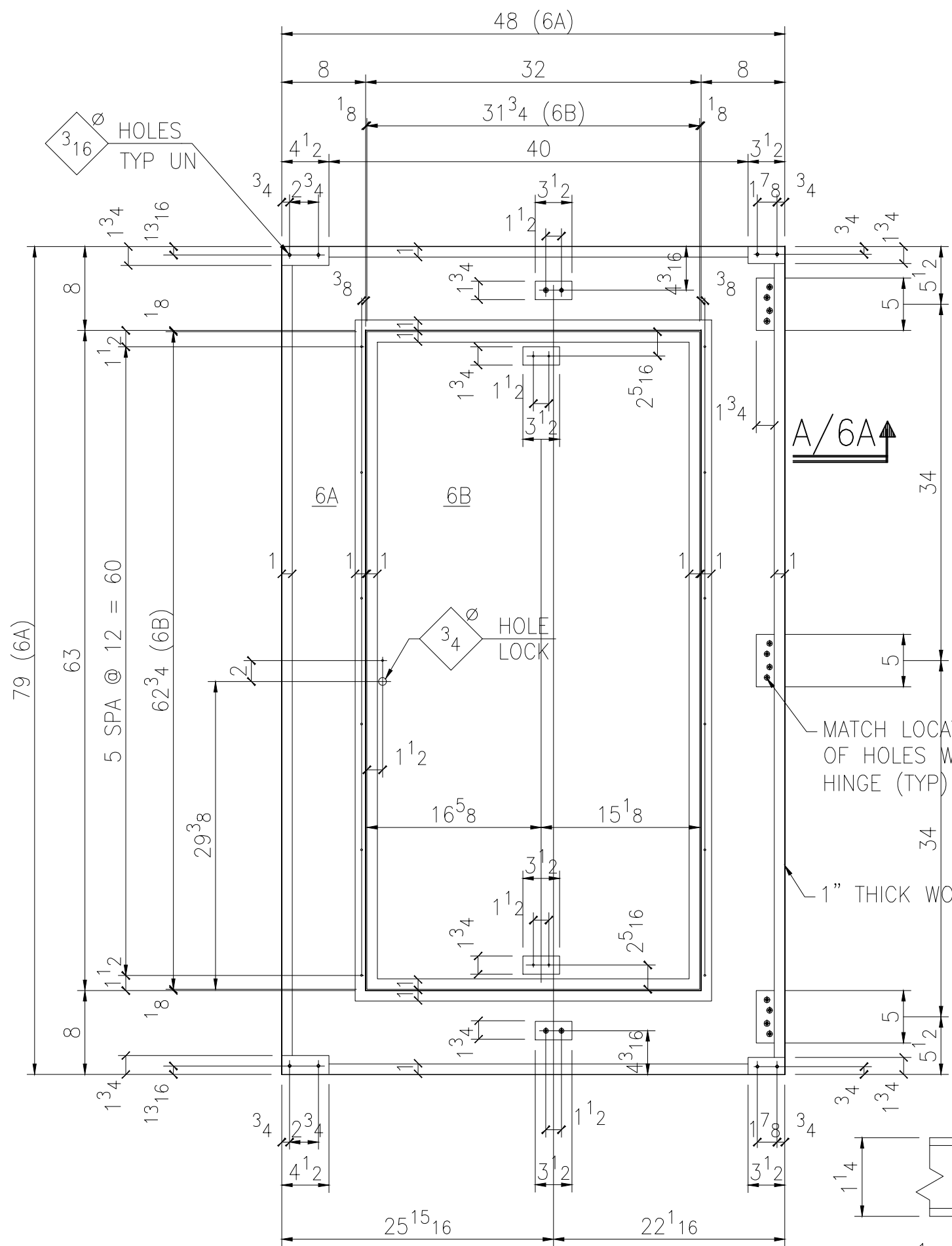


5A ONE FRAME



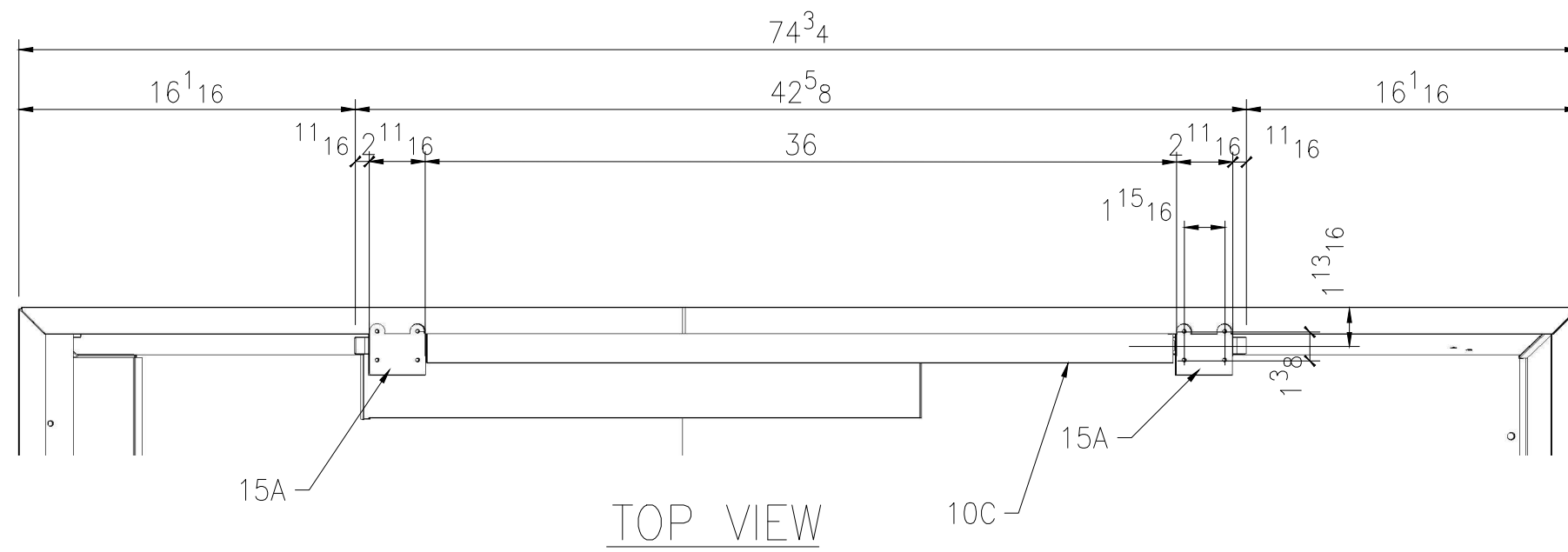
(SCALE: 1 1/2" = 1'-0")

SHEET #	5A	AutoSD, Inc. Meridian, MS	PROJECT	KING CAMP	DETAIL OF	DRAWN	CHECKED
			MATERIAL	HSS-6061 T6. R-3003 H22			

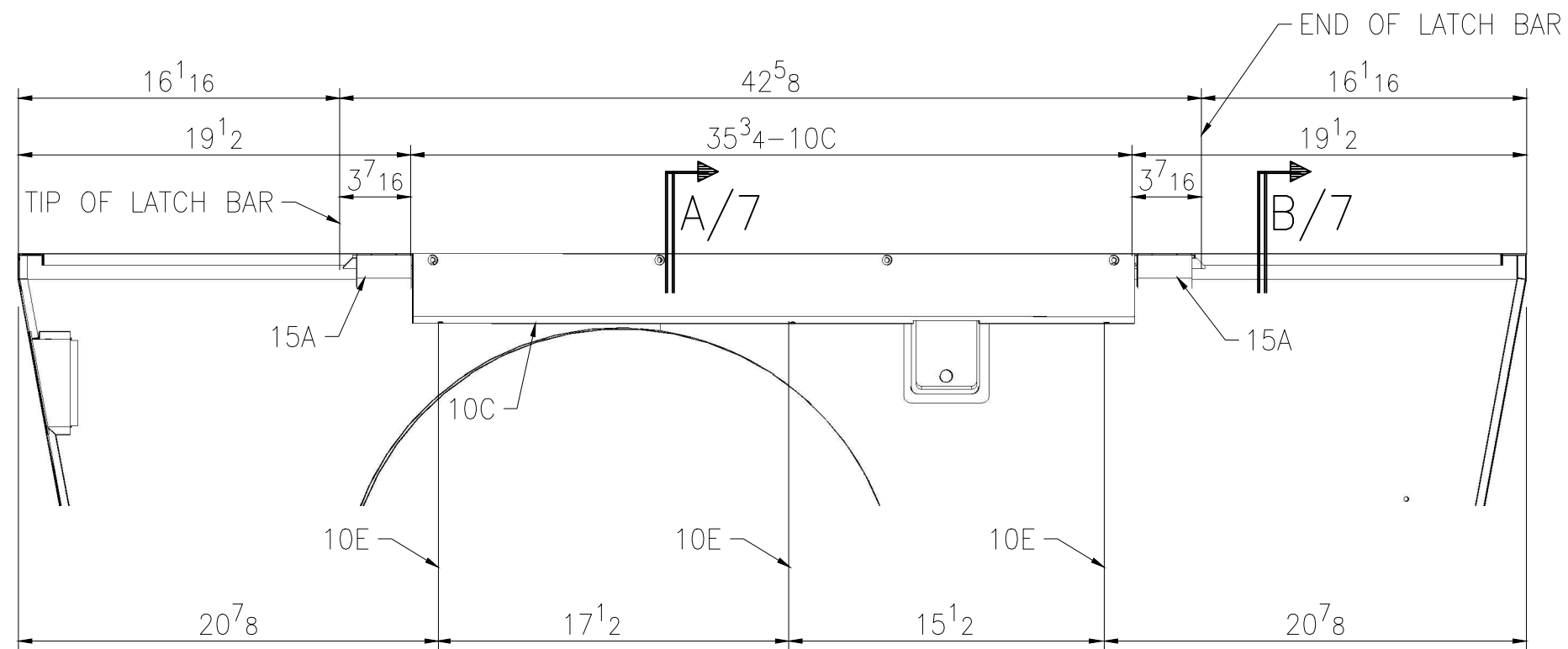


6A ONE DOOR FRAME 6B ONE CARGO DOOR 6C ONE BED BOARD 6D -1/8 PLASTIC BOND TOGETHER USING GLIDDEN GRIPPER PRIMER/SEALER OR BRUSH ON CONTACT ADHESIVE

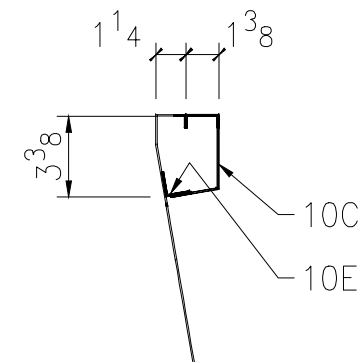
SHEET #	6A
	AutoSD, Inc. Meridian, MS
PROJECT	KING CAMP
MATERIAL	1" LAMINATED FOAM BOARD
DETAIL OF	CARGO ACCESS DOOR & BED BOARD
DRAWN	CRH
CHECKED	



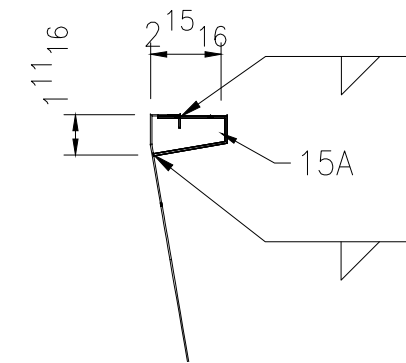
TOP VIEW



LEFT SIDE, FROM INSIDE

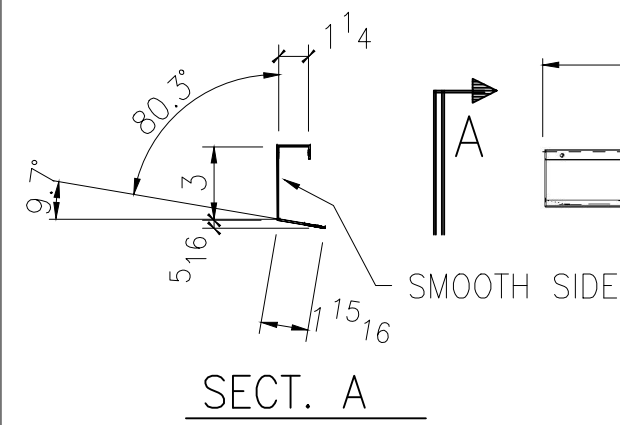
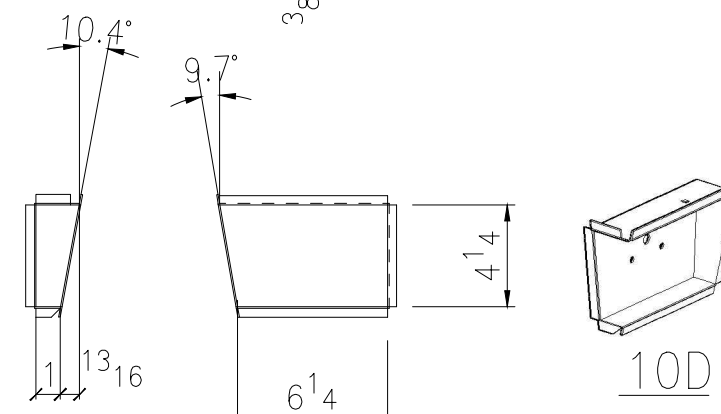
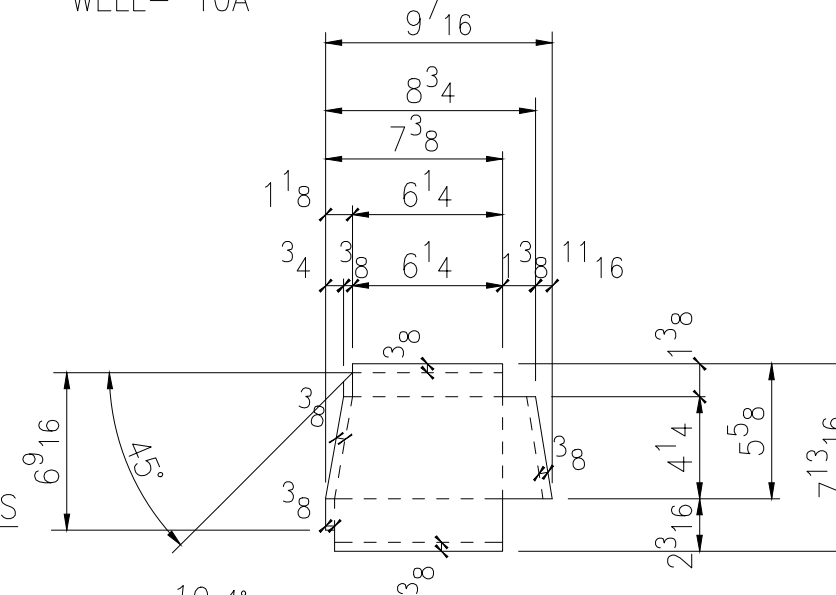
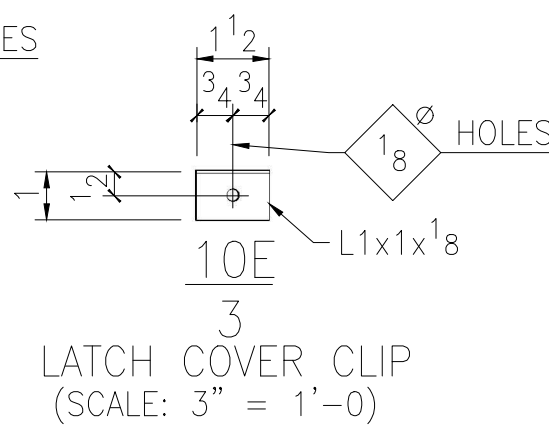
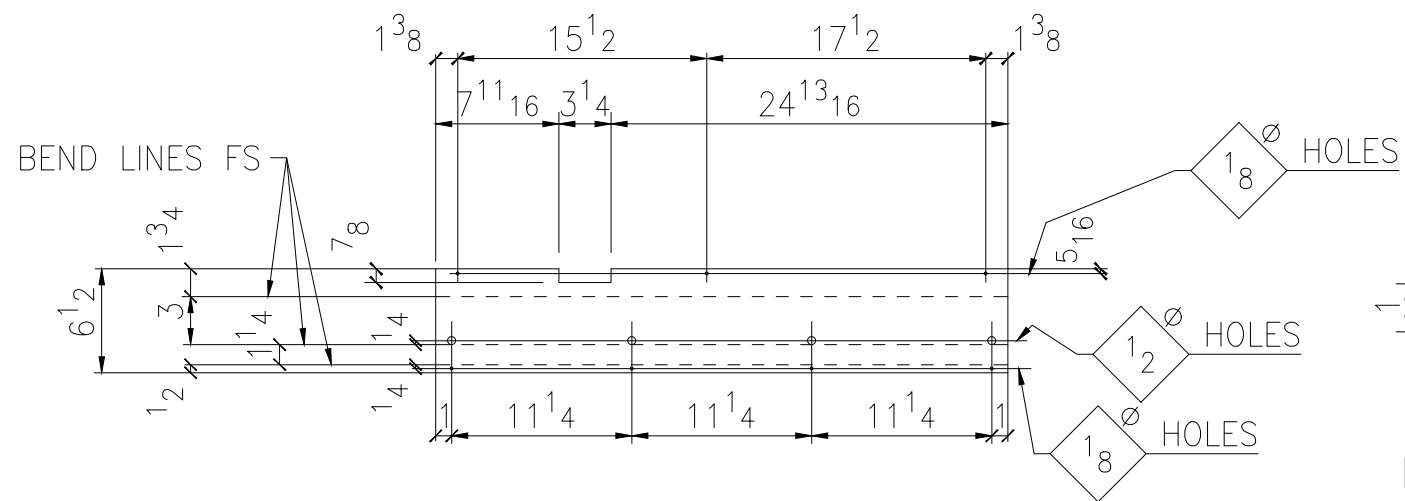
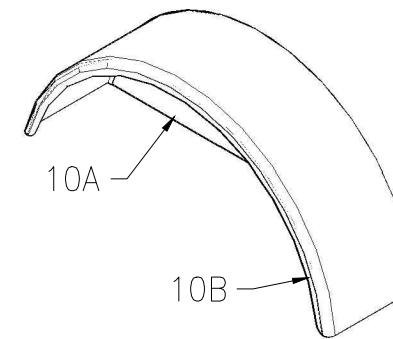
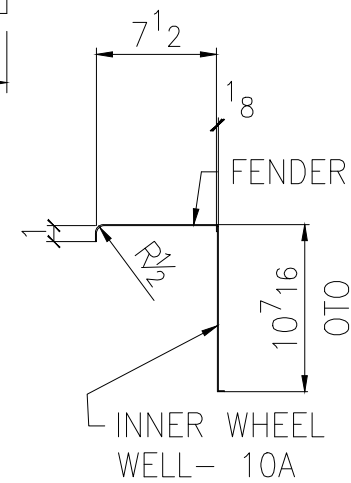
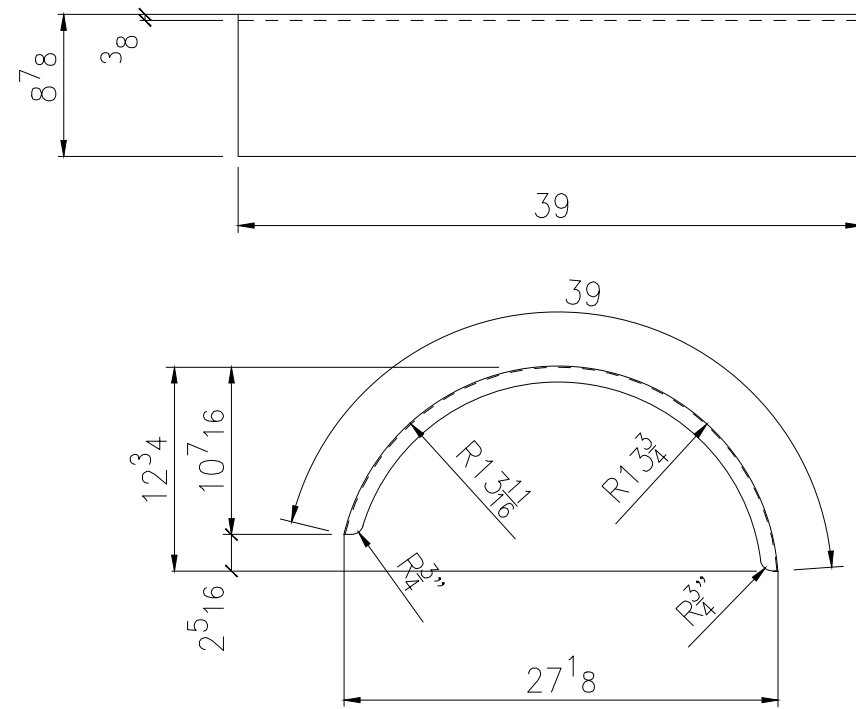
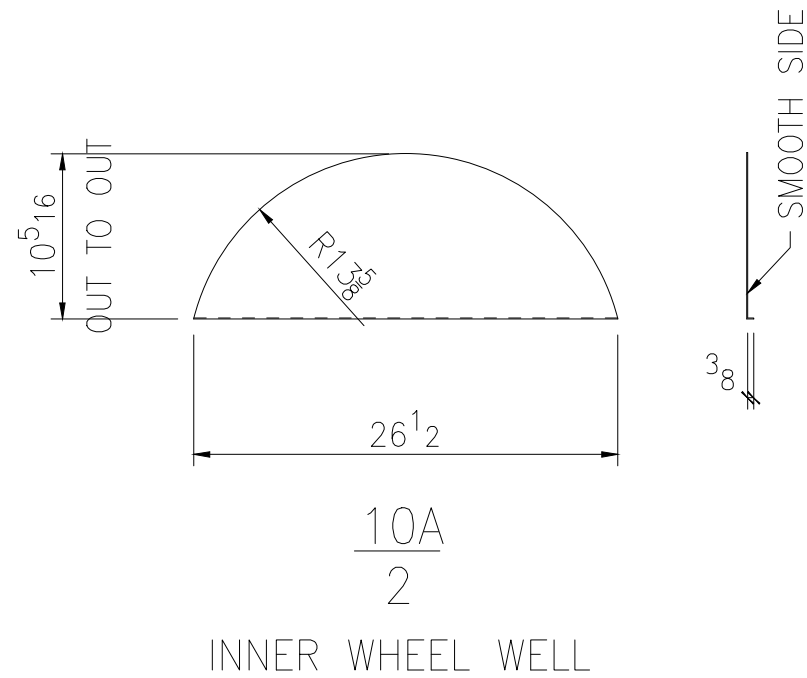


SECT. A

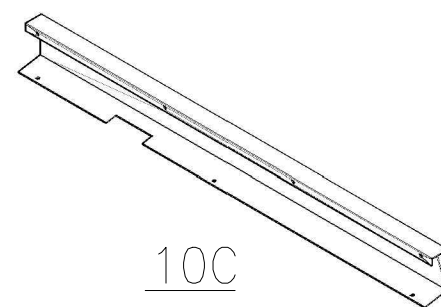


SECT. B

SHEET # 7A	AutoSD, Inc. Meridian, MS	PROJECT	KING CAMP	DETAIL OF BODY: TOP, SIDE, FRONT & REAR VIEW	DRAWN	CHECKED
		MATERIAL	Aluminum 3003 H22		CRH	



10C ONE LATCH COVER

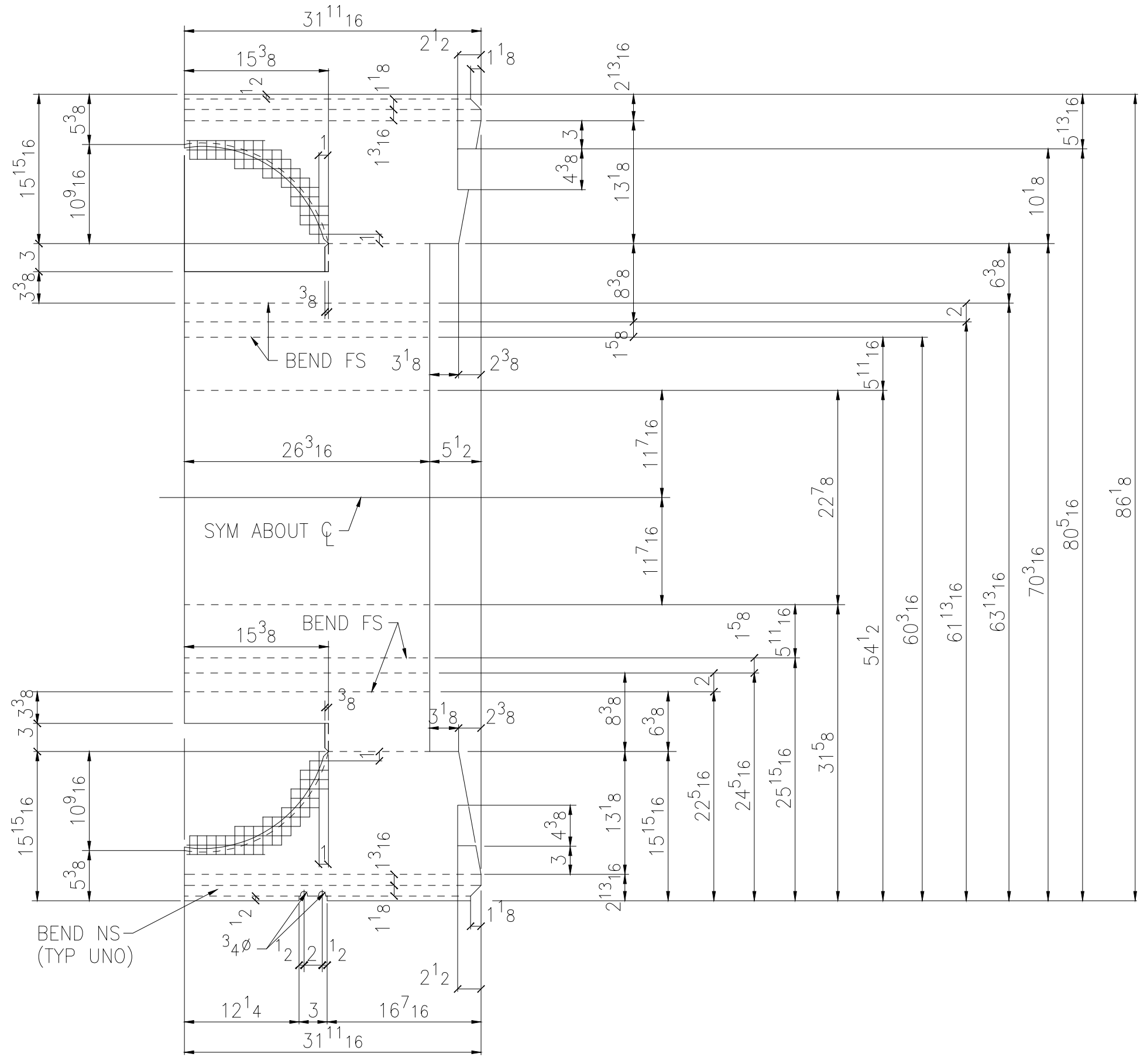
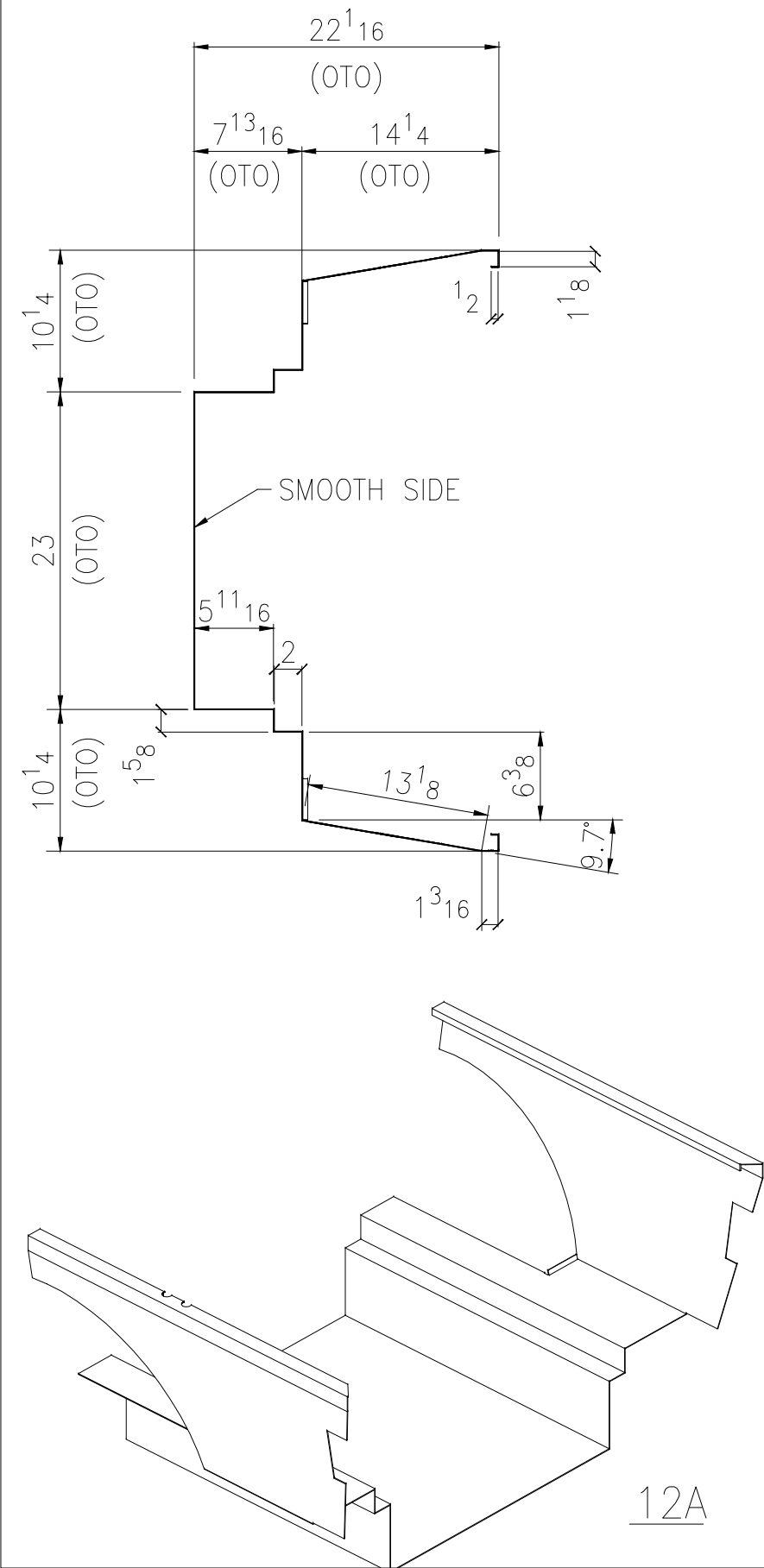


10C

10D R/L TAIL LIGHT RECESS (SCALE: 1 1/2" = 1'-0)

ALL DIMENSIONS ARE TO INSIDE OF BENDS
Aluminum R.072 (pa) 3003 H22

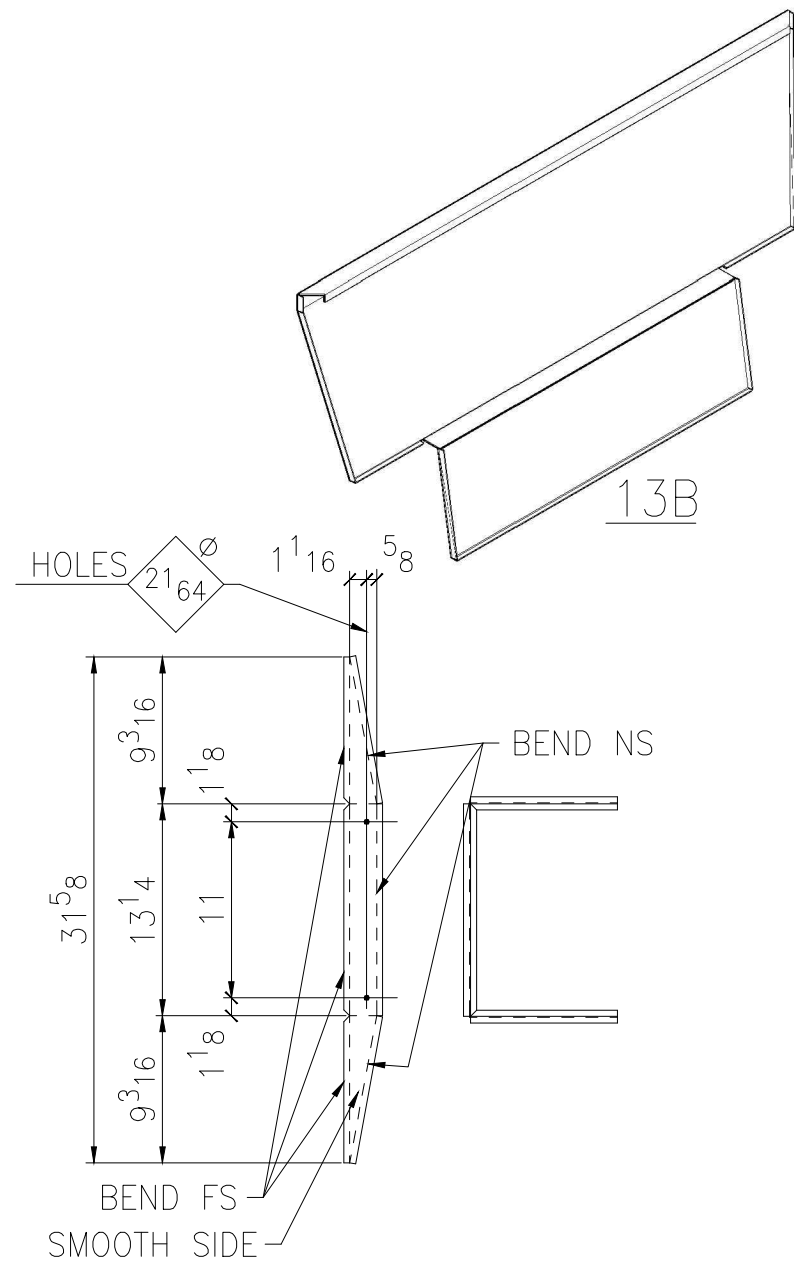
SHEET #	10
	AutoSD, Inc. Meridian, MS
PROJECT	KING CAMP
	MATERIAL Aluminum 3003 H22
DETAIL OF	WHEEL WELL, FENDER, LATCH COVER, TAIL LIGHT
	DRAWN CRH
CHECKED	



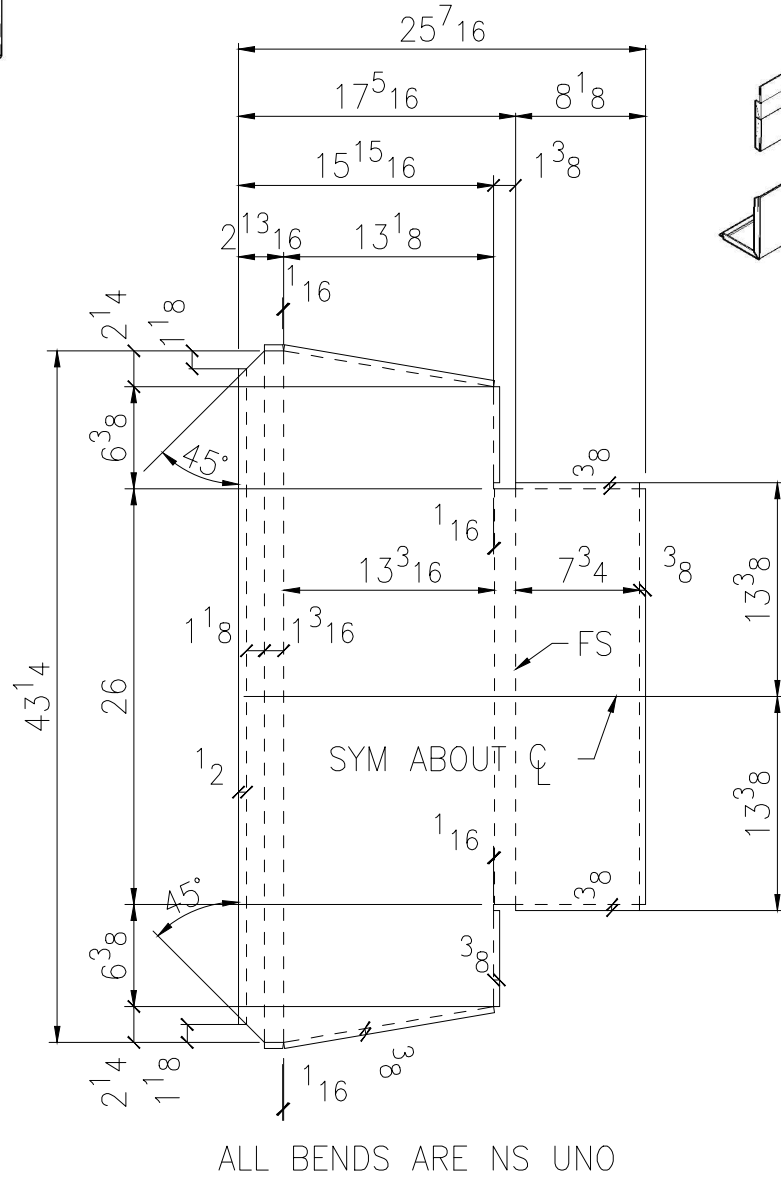
12A
ONE REAR HALF

ALL DIMENSIONS ARE TO INSIDE OF BENDS UNLESS NOTED (OTO)

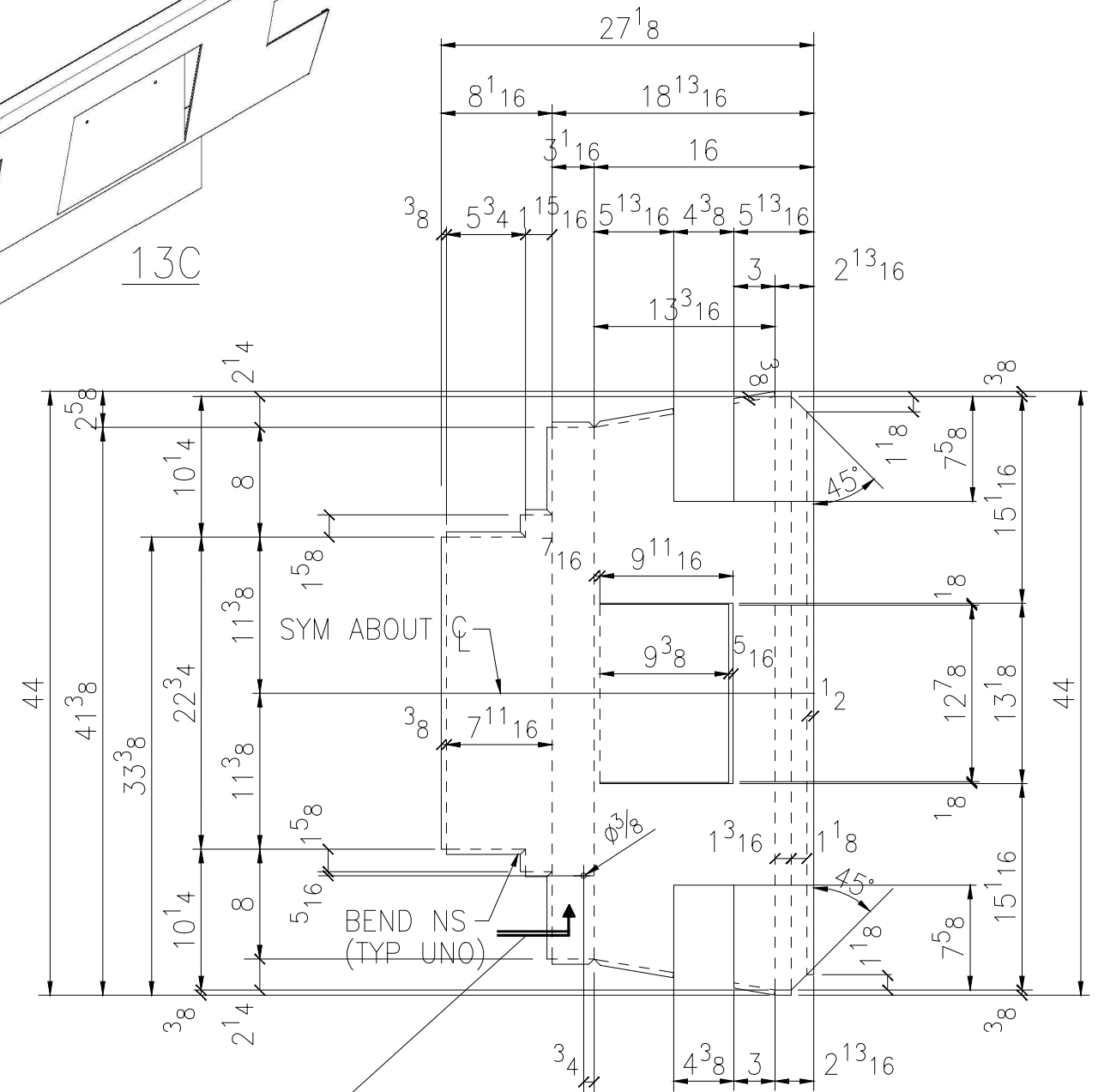
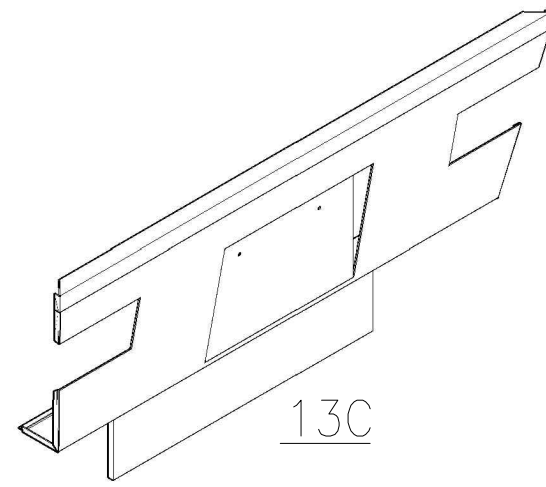
SHEET # 12	AutoSD, Inc. Meridian, MS	PROJECT KING CAMP	DETAIL OF BODY REAR HALF PANEL	DRAWN CRH	CHECKED
	MATERIAL .072 Aluminum 3003 H22				



13A ONE TAG RECESS

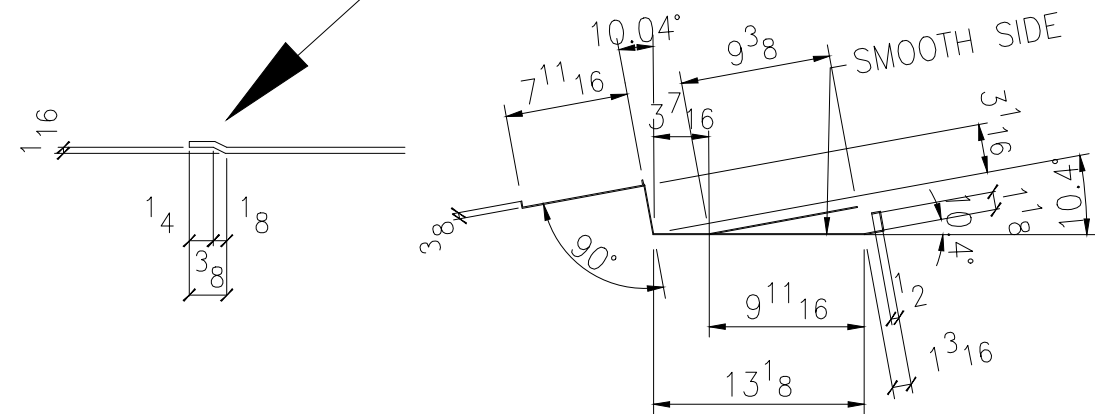
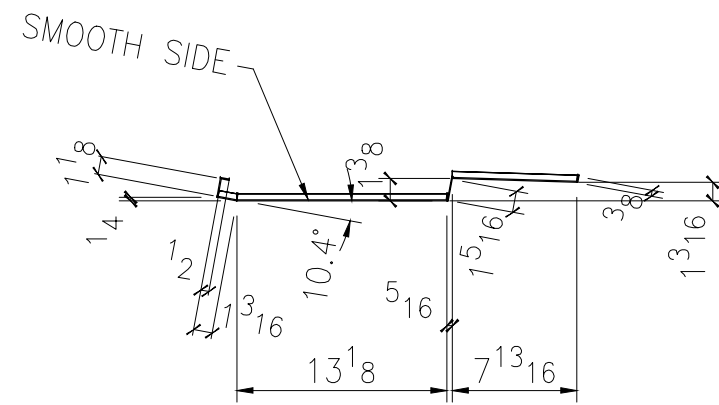


13B ONE FRONT



13C ONE REAR

ALL DIMENSIONS ARE TO INSIDE OF BENDS UNLESS NOTED (OTO)



SHEET #

13

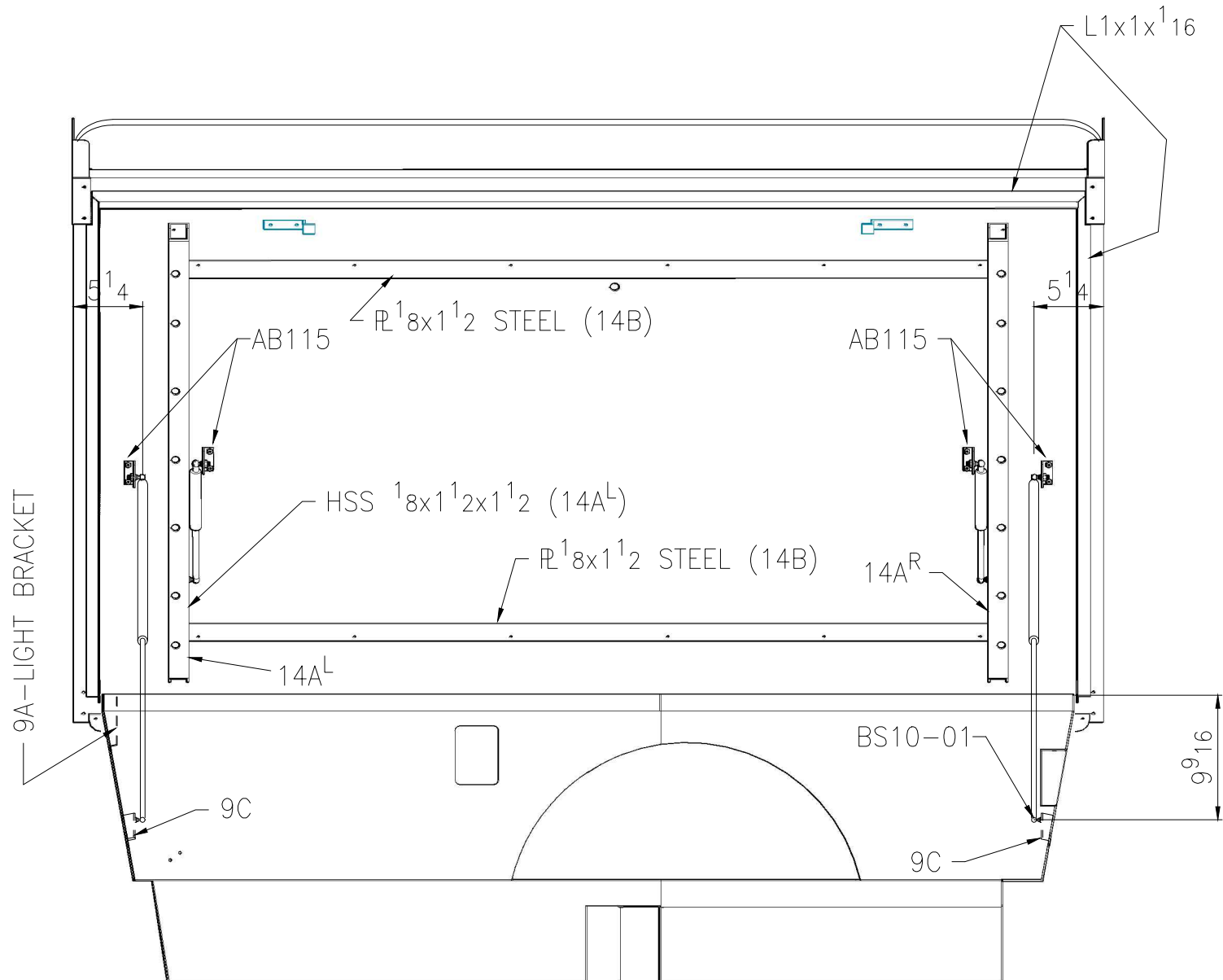
AutoSD, Inc.
Meridian, MS

PROJECT KING CAMP
MATERIAL .072 Aluminum 3003 H22

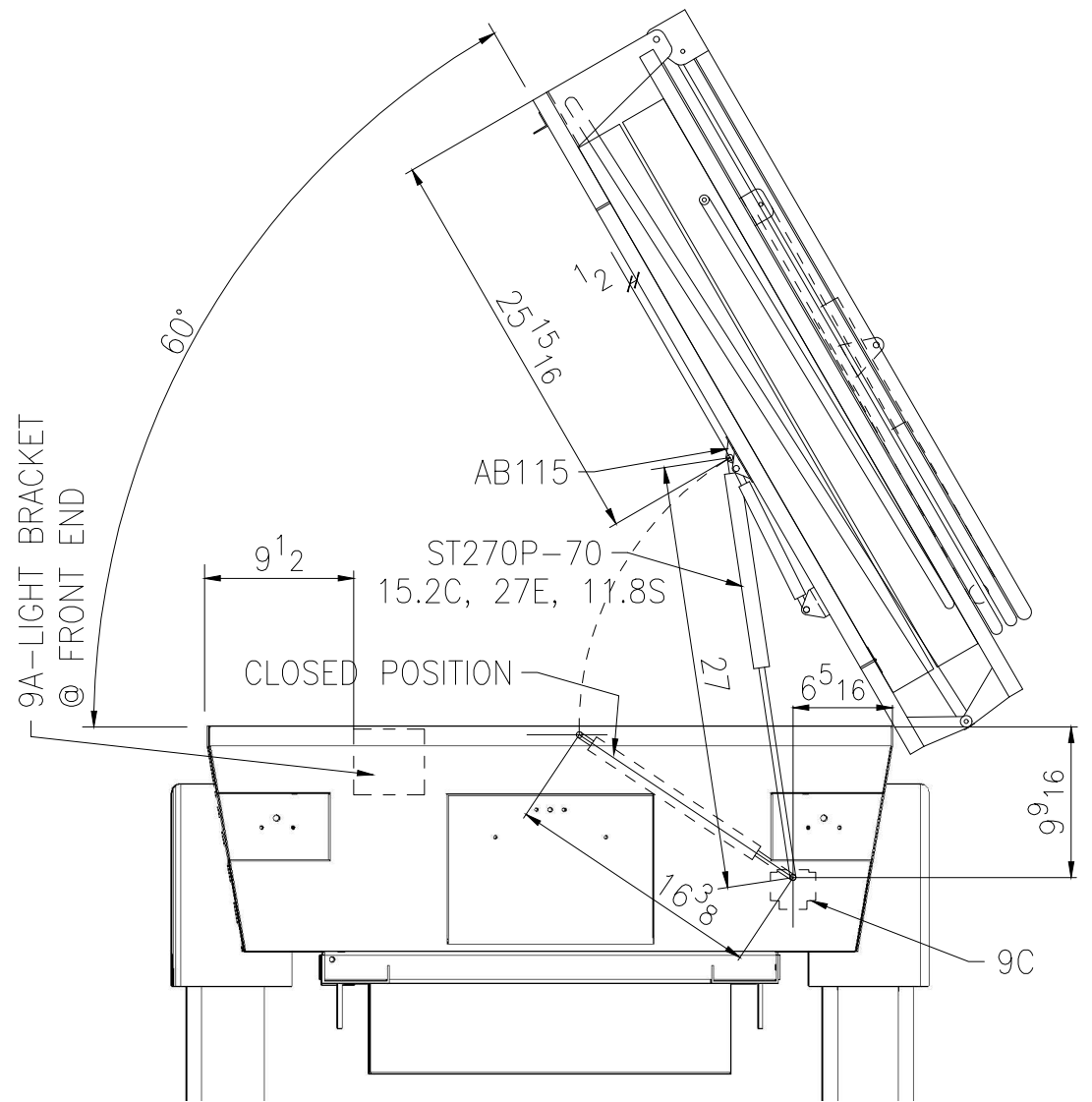
DETAIL OF BODY END PANELS

DRAWN CRH

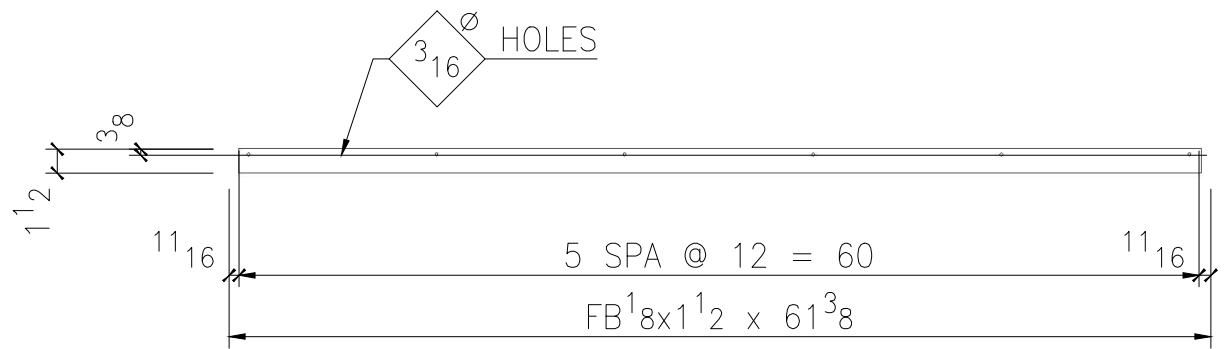
CHECKED



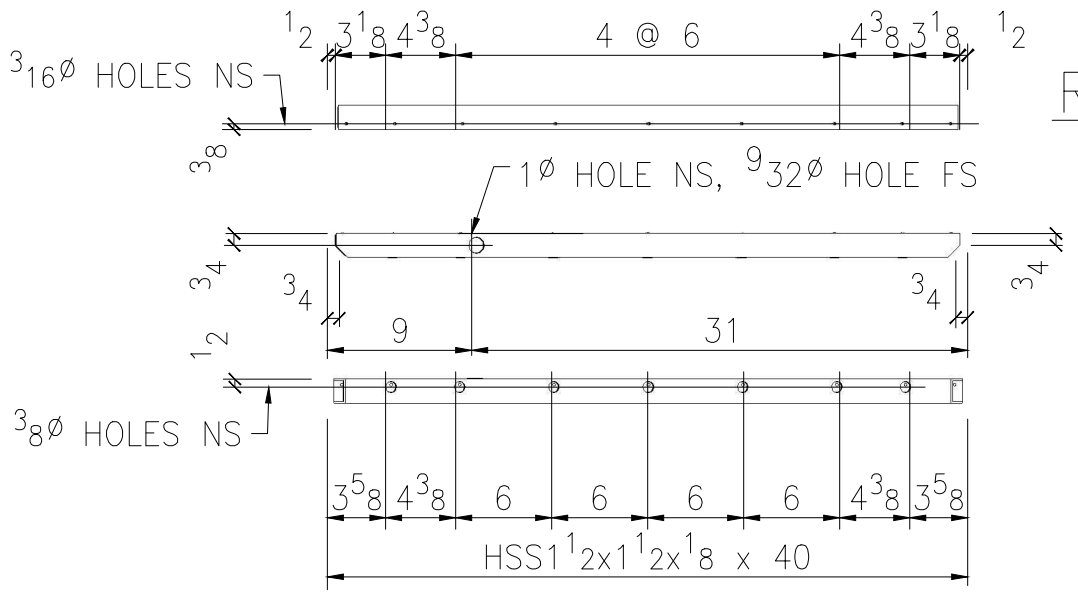
MAIN GAS SPRING MOUNT
LEFT SIDE VIEW



REAR VIEW



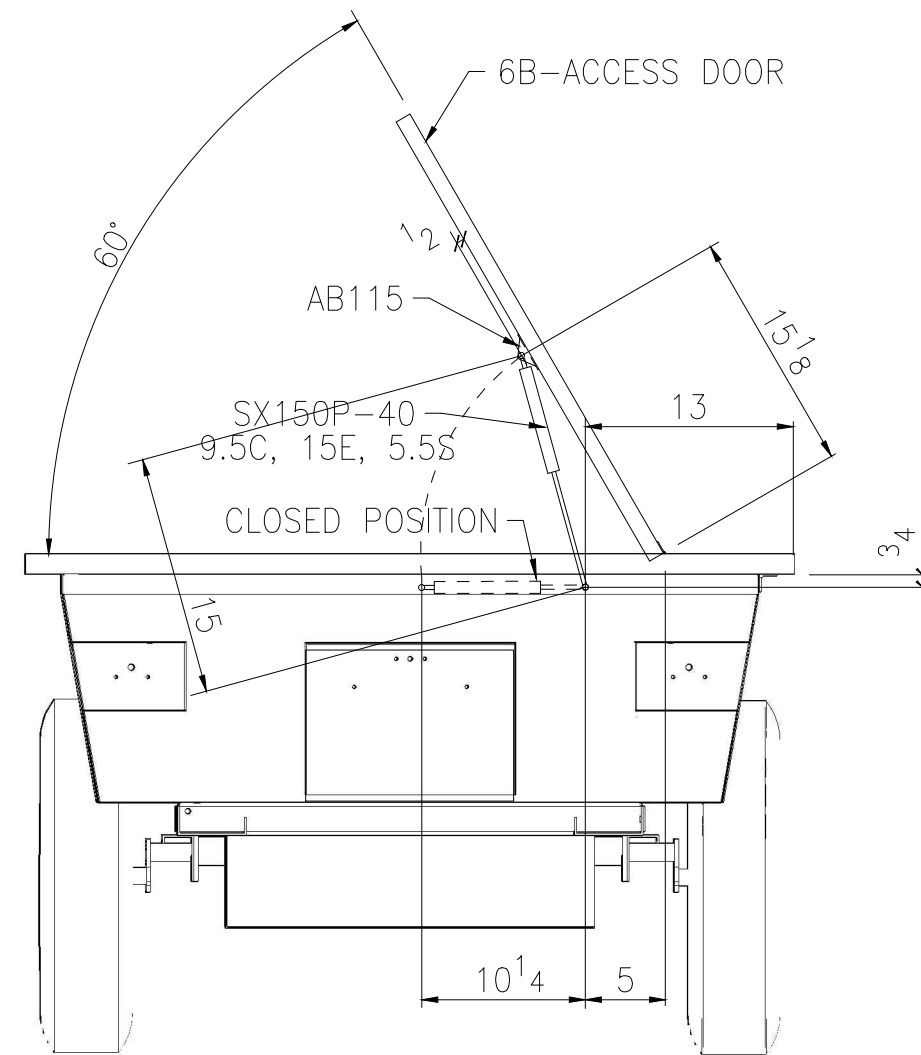
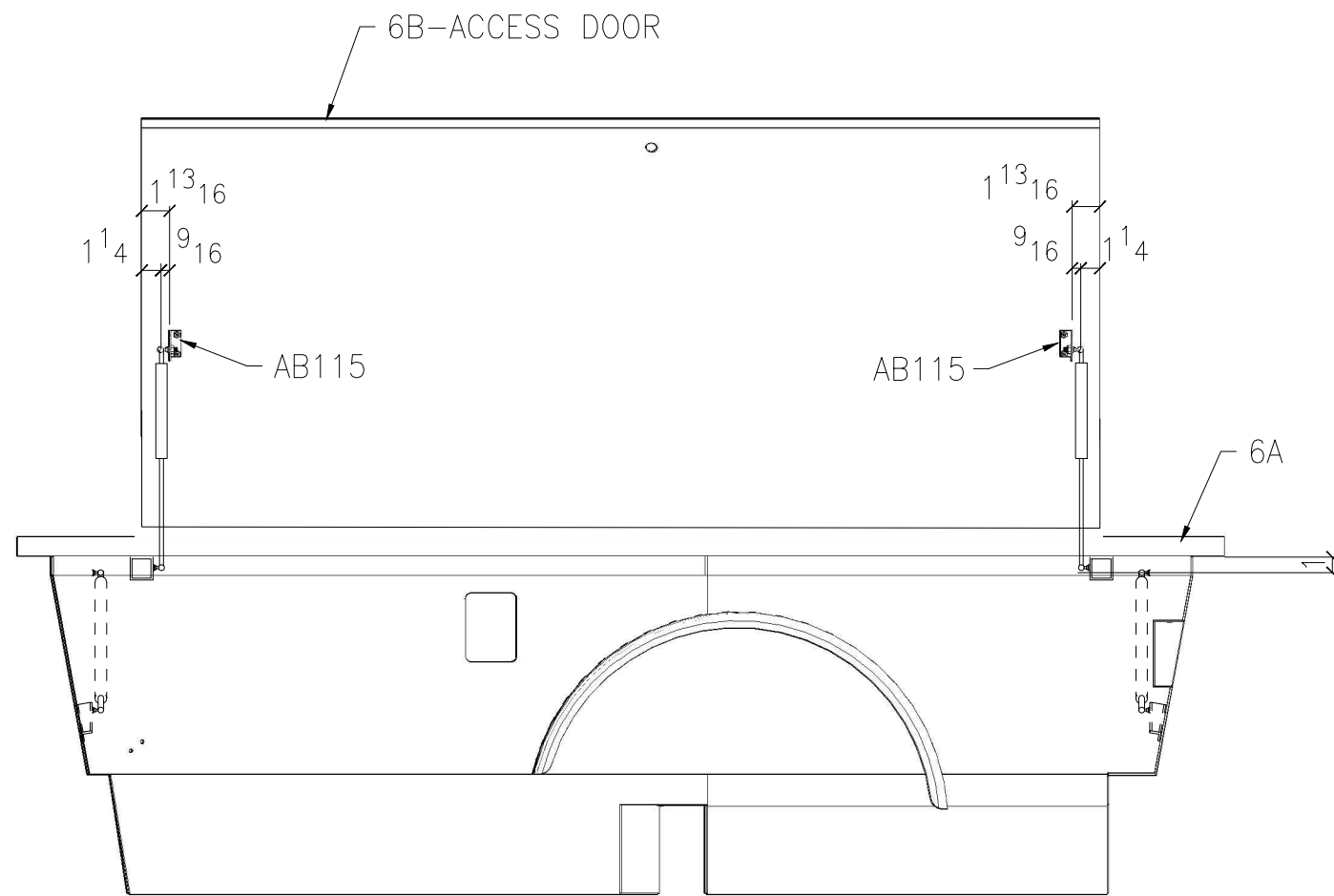
14B
2



14A R
ONE R - ONE L

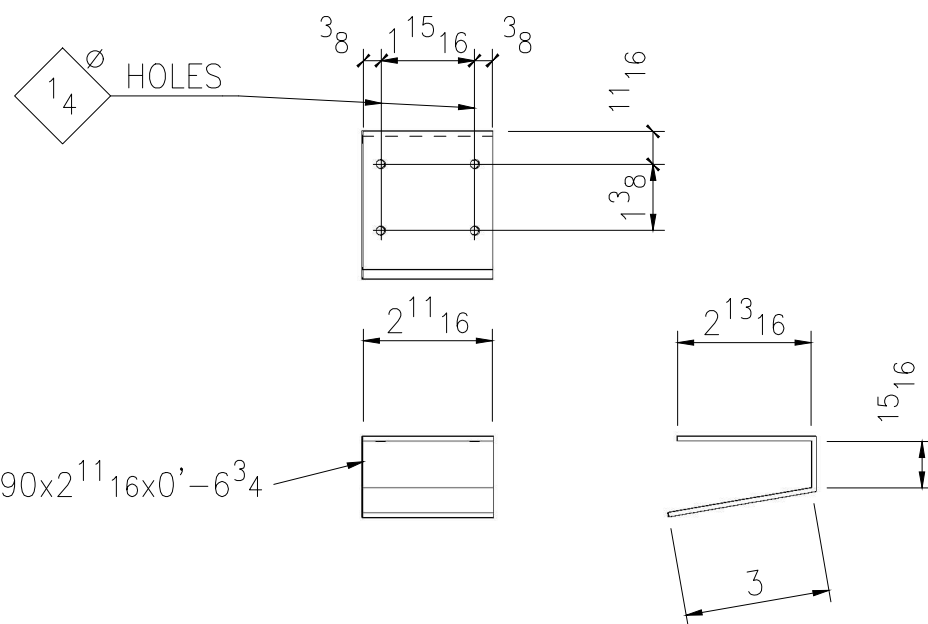
SHEET #	14	PROJECT	KING CAMP	DETAIL OF	MAIN GAS SPRING MOUNT	DRAWN	CRH	CHECKED	
			MATERIAL		Aluminum 3003 H22				

AutoSD, Inc.
Meridian, MS



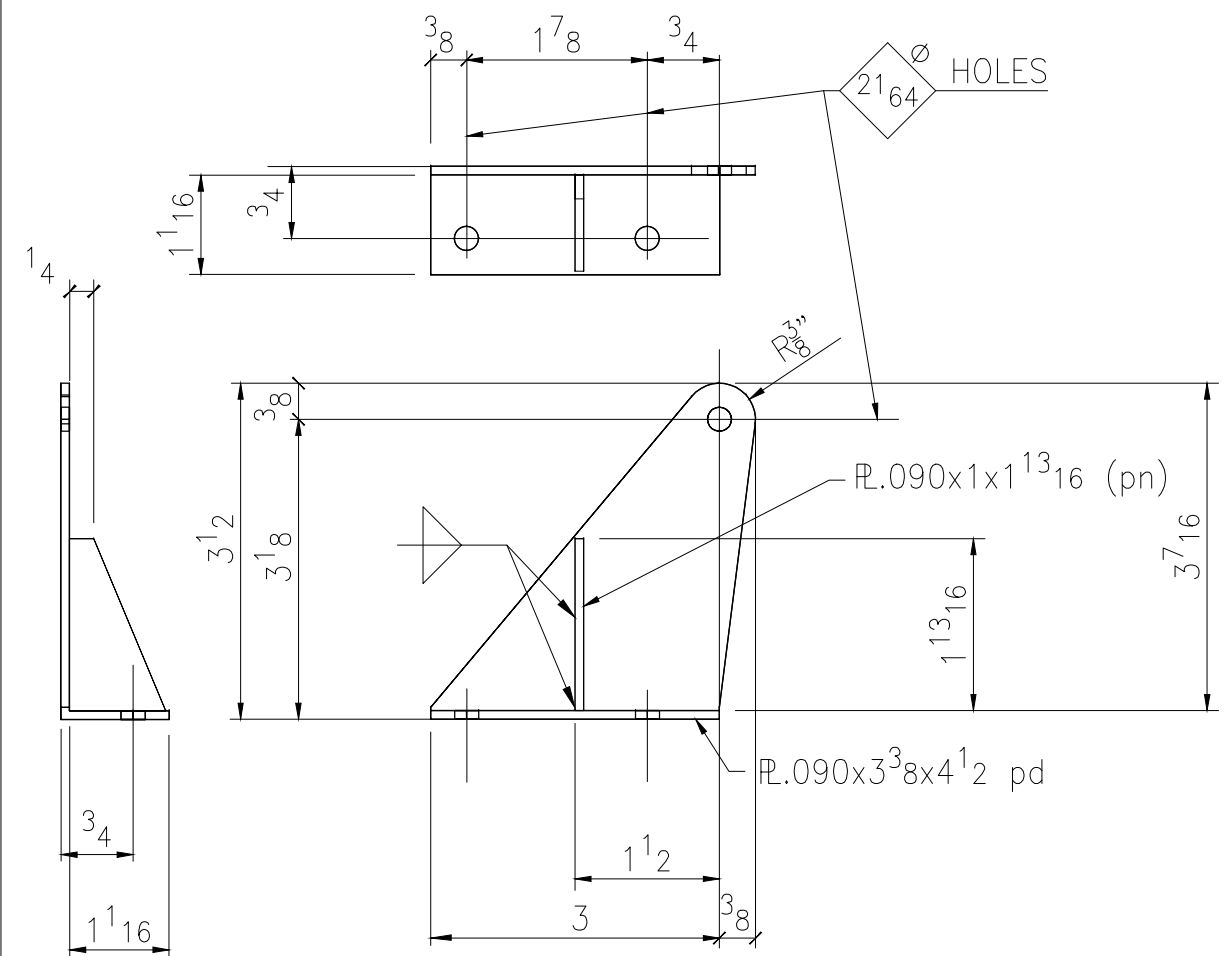
CARGO ACCESS DOOR GAS SPRING MOUNT

REAR VIEW

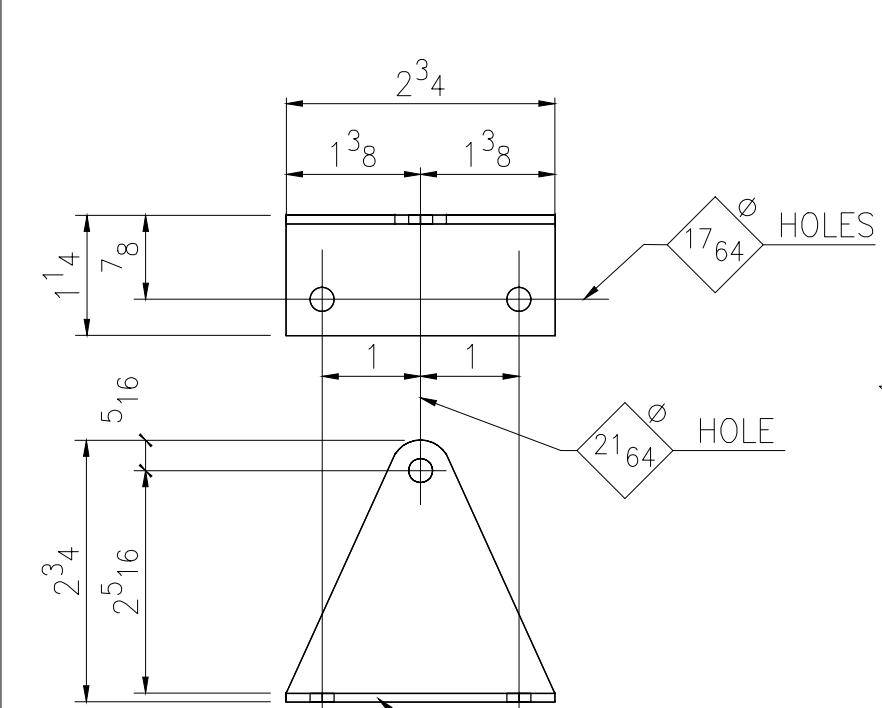


15A
2
DOOR LATCH MOUNT

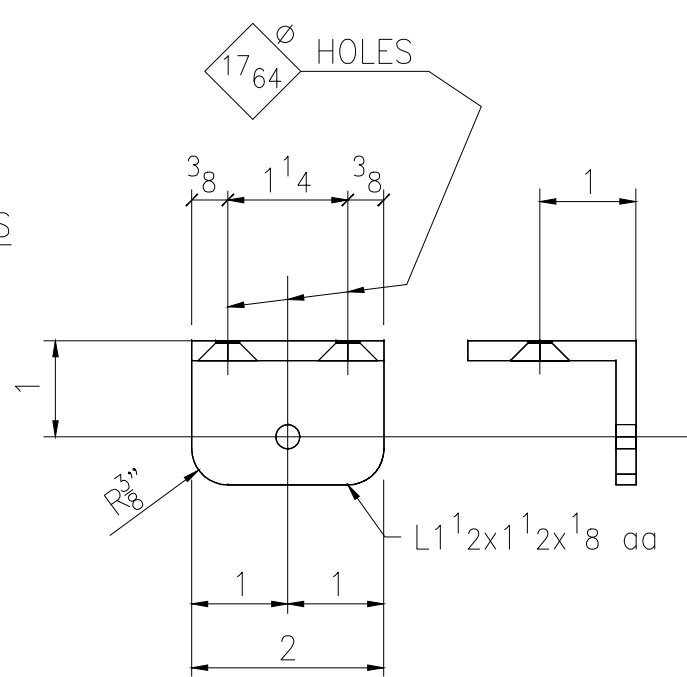
SHEET #	15
AutoSD, Inc. Meridian, MS	
PROJECT	KING CAMP
MATERIAL	Aluminum 3003 H22
DETAIL OF	CARGO ACCESS DOOR GAS SPRING MOUNT
DRAWN	CRH
CHECKED	



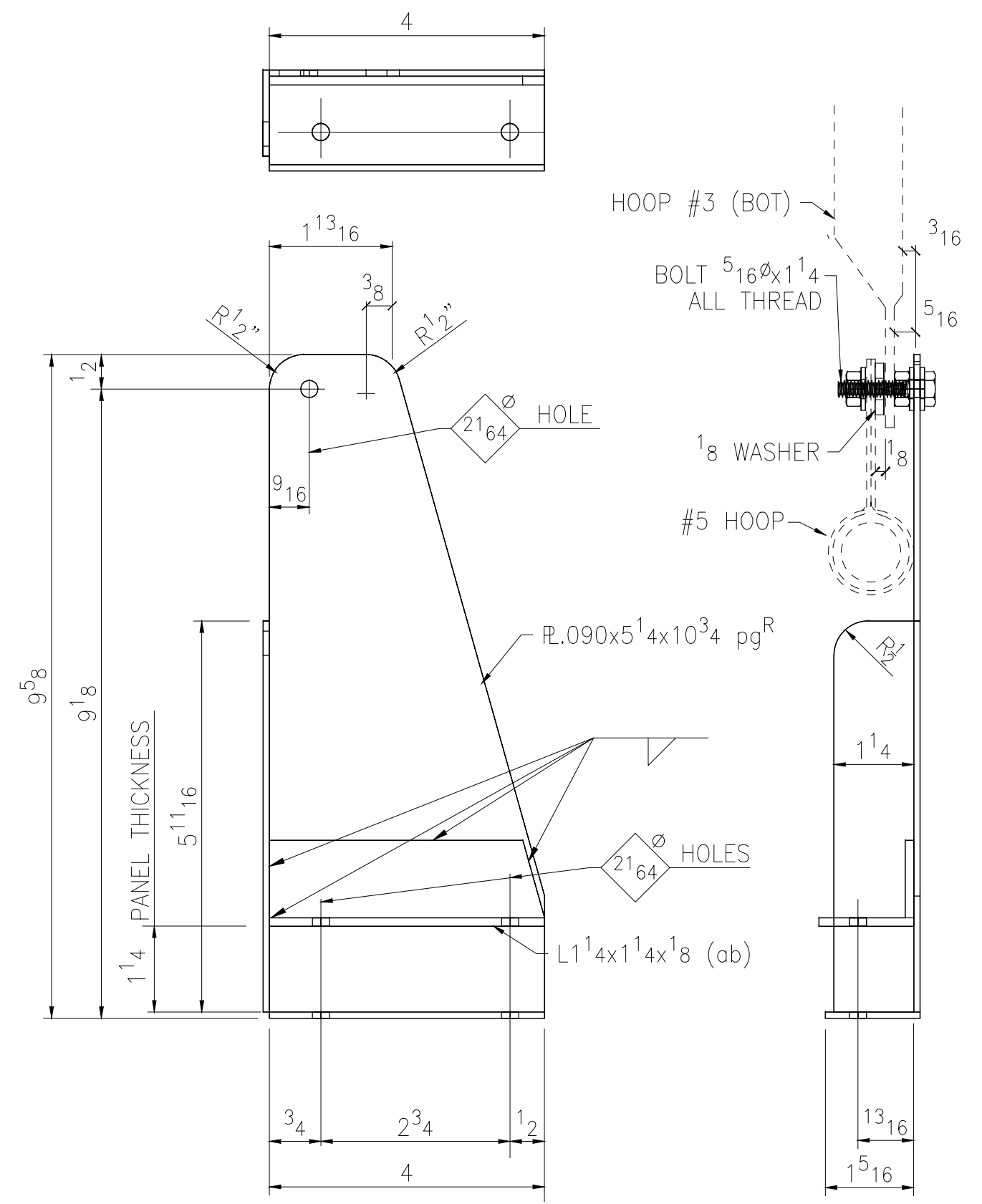
16A^R BEADBOARD HINGE
2^R-2^L



16C HOOP #1 HINGE
2



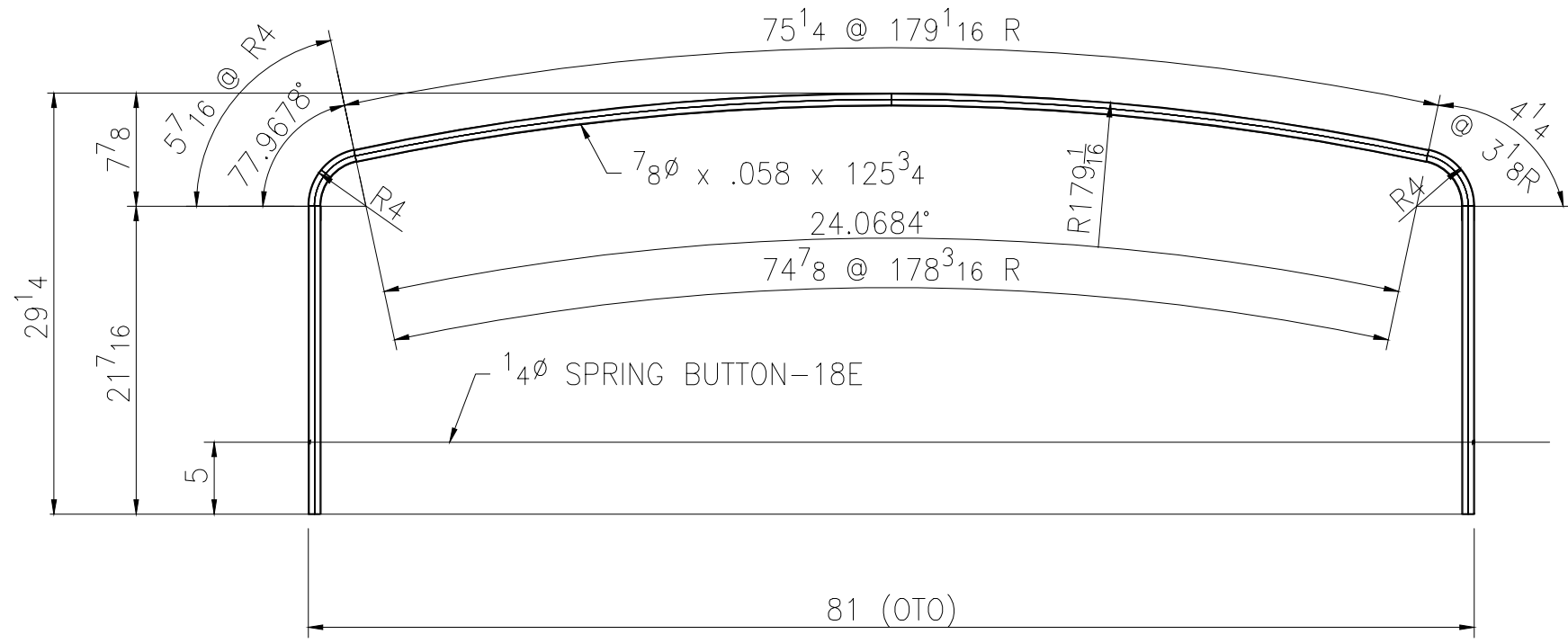
16D HOOP #6 HINGE
4



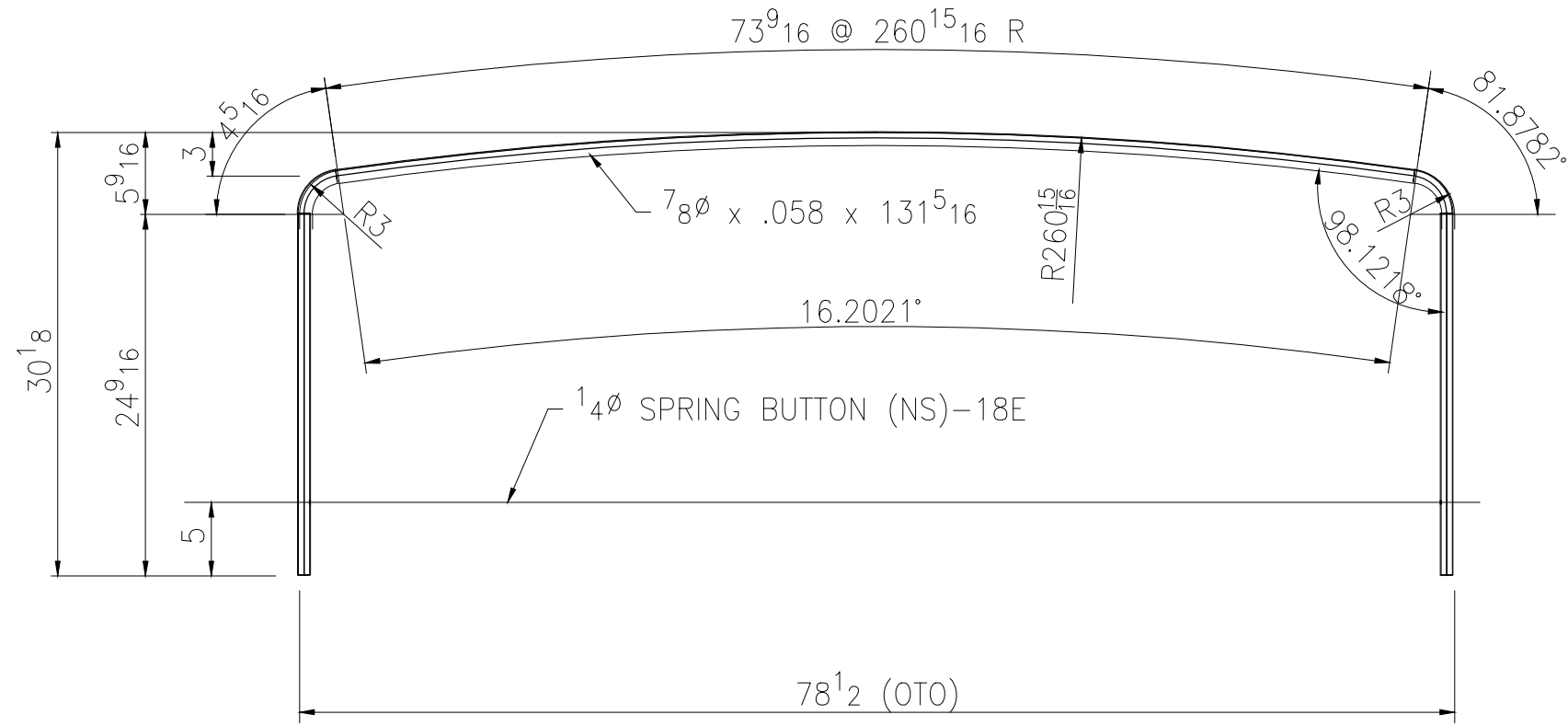
16E^R HOOP #3 & 5 BRACKET
1^R-1^L

(SCALE: 6" = 1'-0)

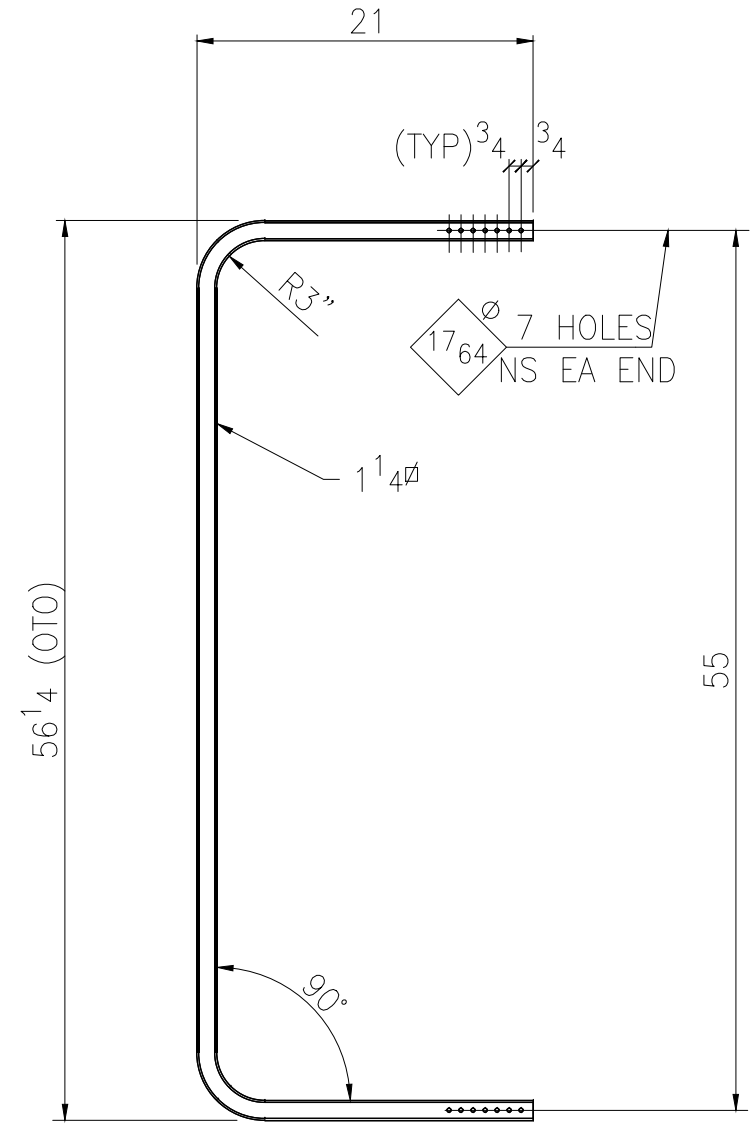
SHEET #	16	PROJECT	KING CAMP	DETAIL OF	HOOP BRACKETS	DRAWN	CRH	CHECKED	
			MATERIAL		1" 6063				



17A
ONE HOOP #1



17B
ONE HOOP #4 (TOP)



17C
ONE HOOP #6 (BOT)

SHEET #
17

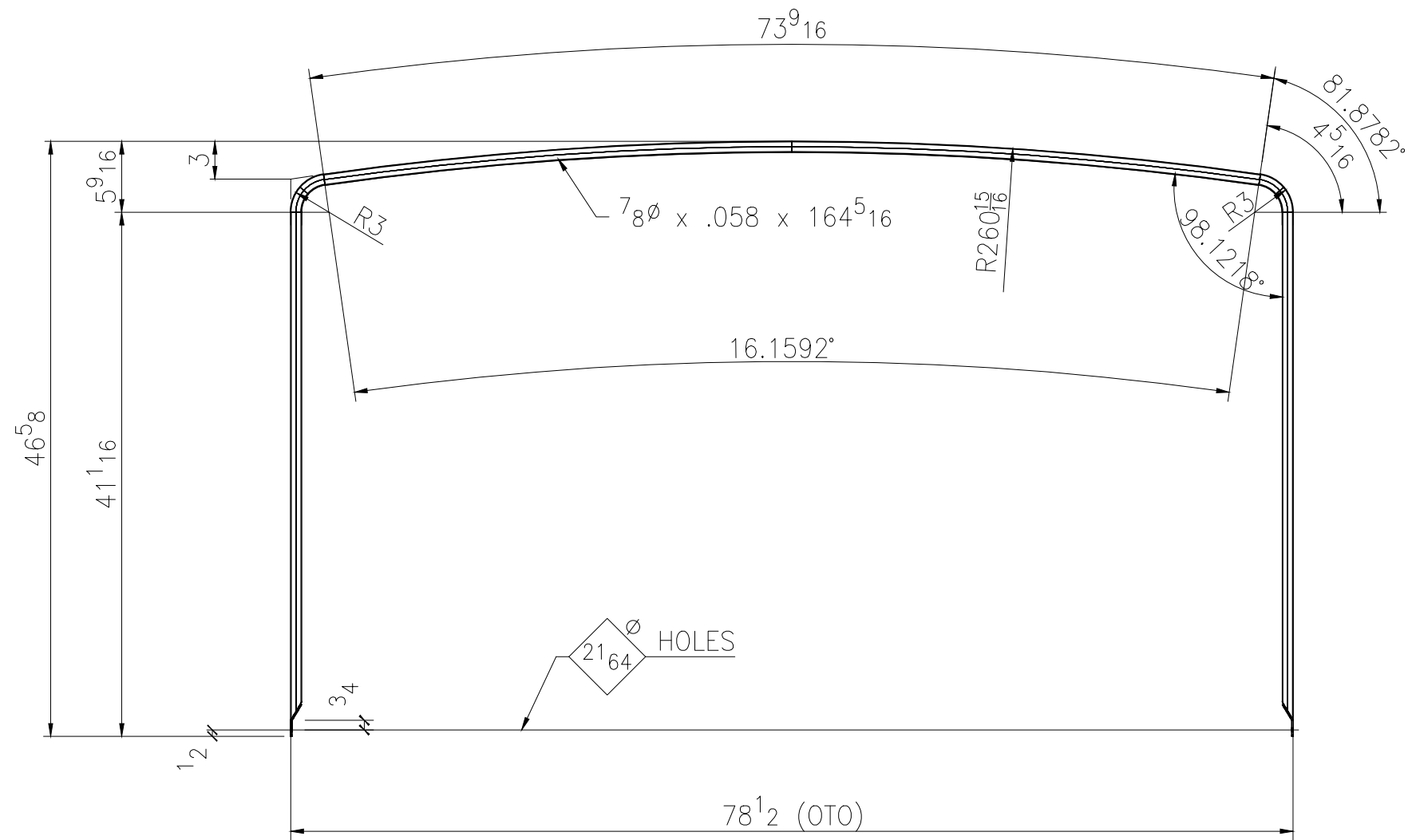
AutoSD, Inc.
Meridian, MS

PROJECT KING CAMP
MATERIAL .049 STEEL TUBING

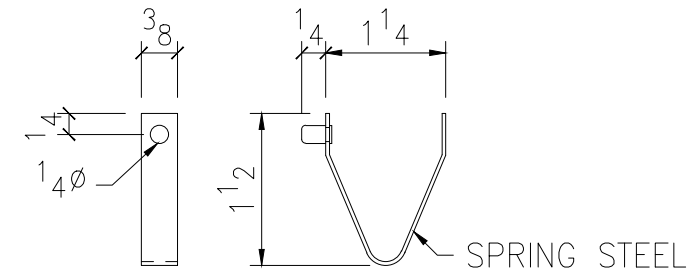
DETAIL OF
HOOPS 1, 4 & 6

DRAWN
CRH

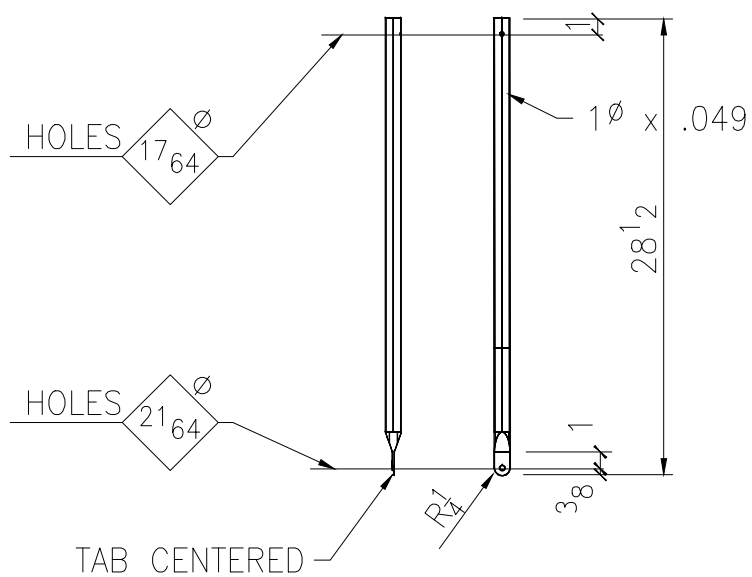
CHECKED



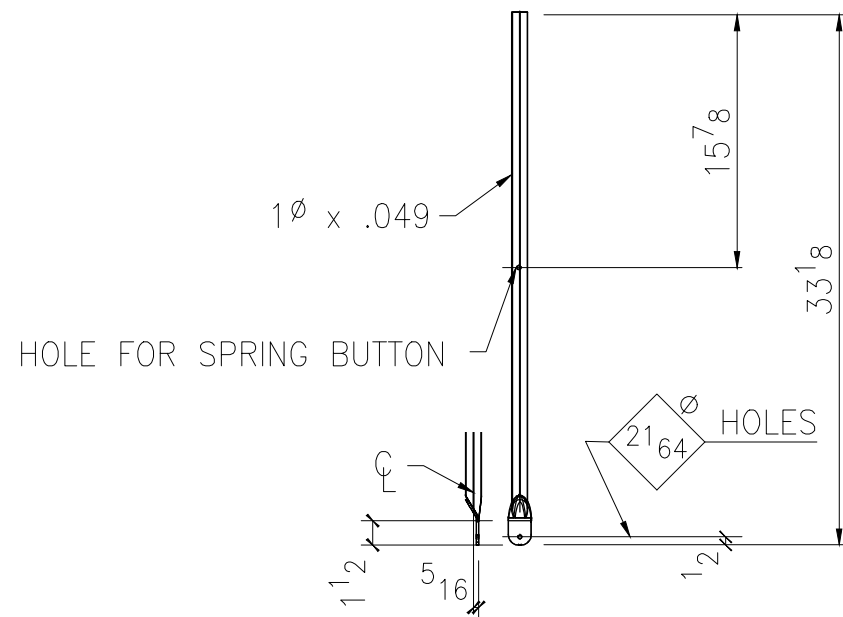
18A HOOP #2
ONE



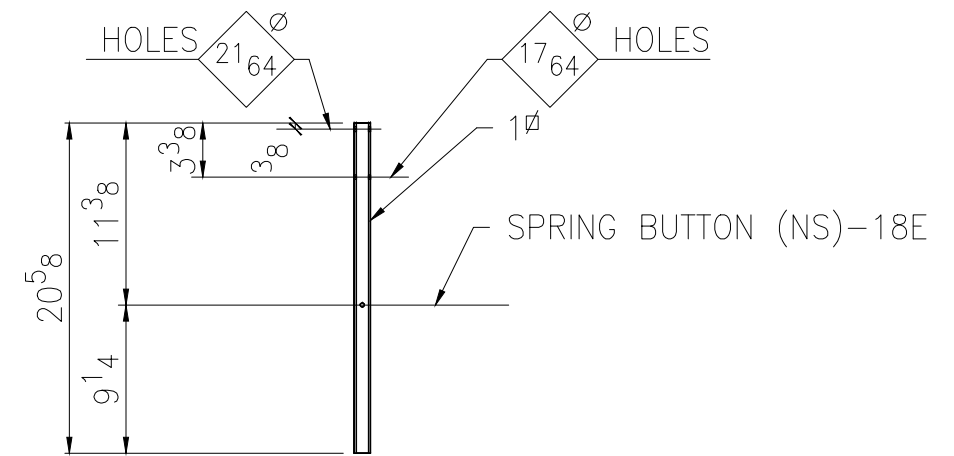
18E SPRING BUTTON
12



18B HOOP #4 (BOT)
2



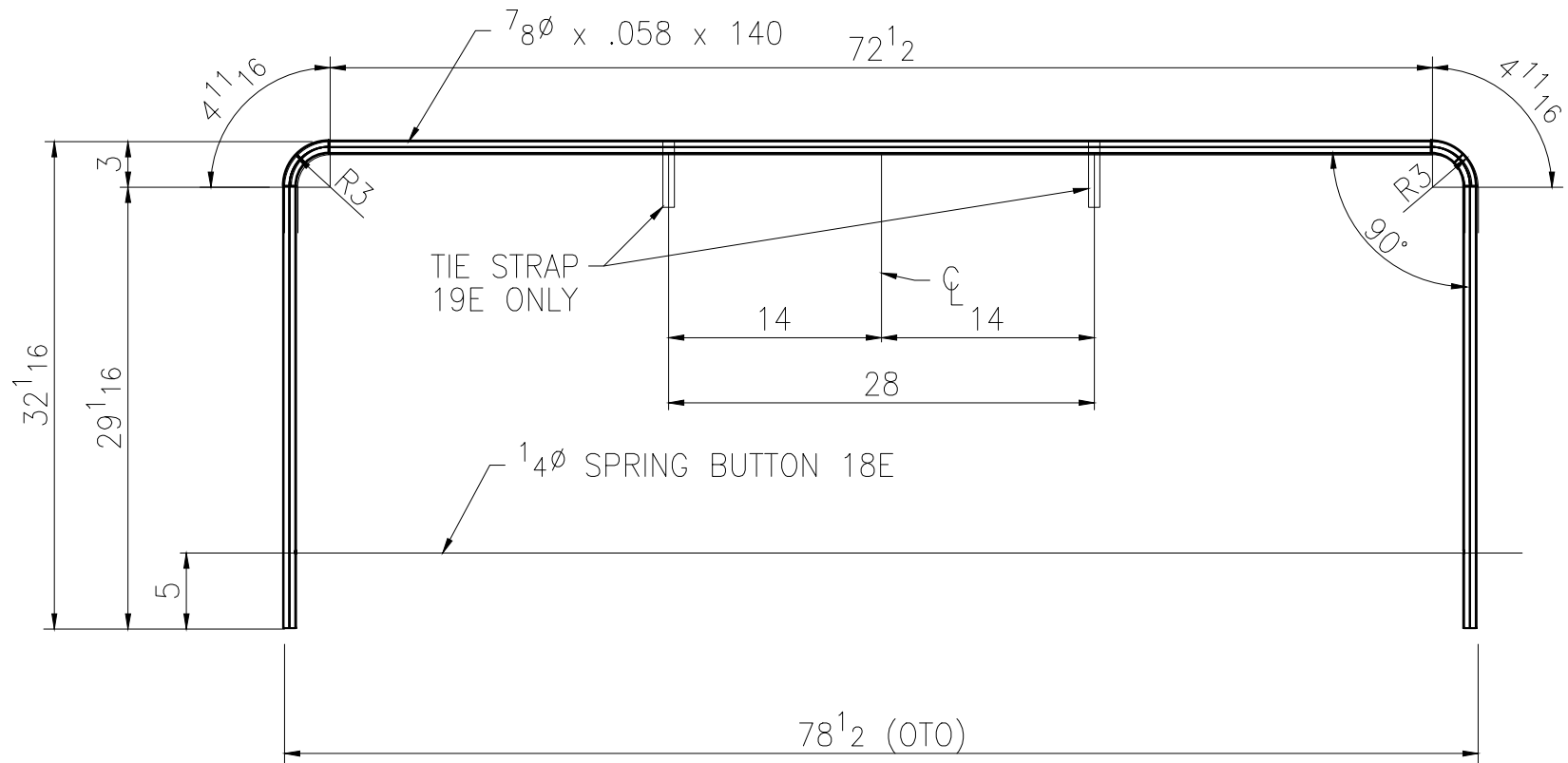
18C HOOP #1 (BOT)
2



18D HOOP #6 (TOP)
2

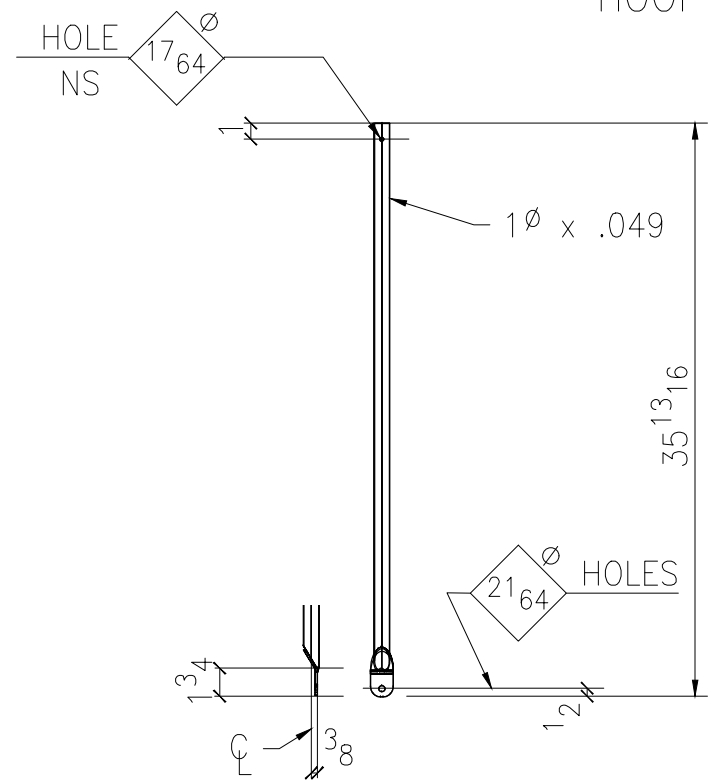
SHEET #	18	PROJECT	KING CAMP	DETAIL OF	HOOPS 1, 2, 4 & 6	DRAWN	CRH	CHECKED
			MATERIAL		.049 STEEL TUBING			

AutoSD, Inc.
Meridian, MS

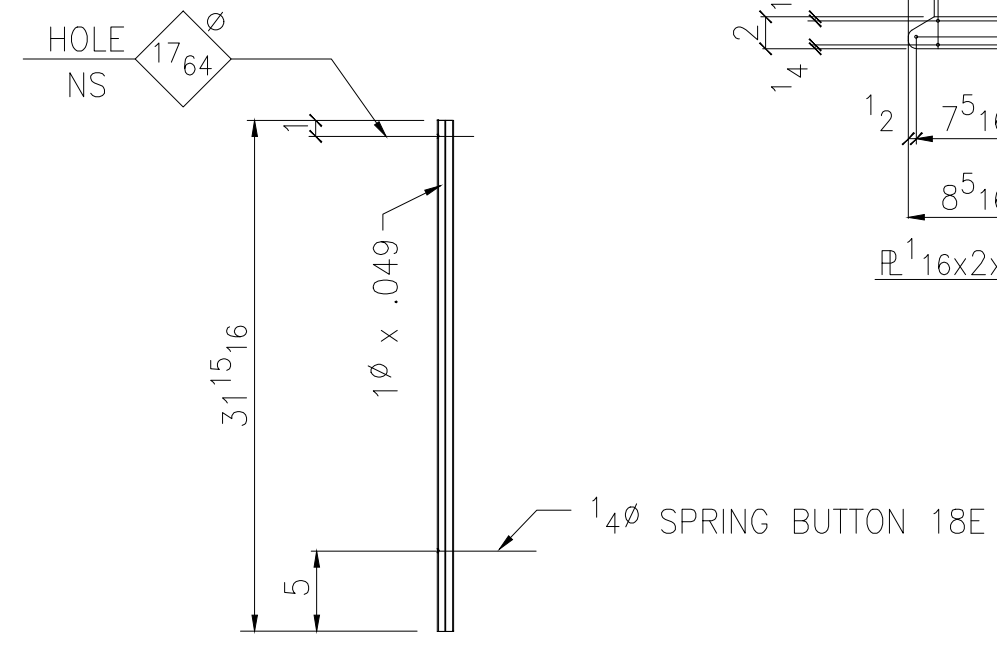


19A
ONE
HOOP #3 (TOP)

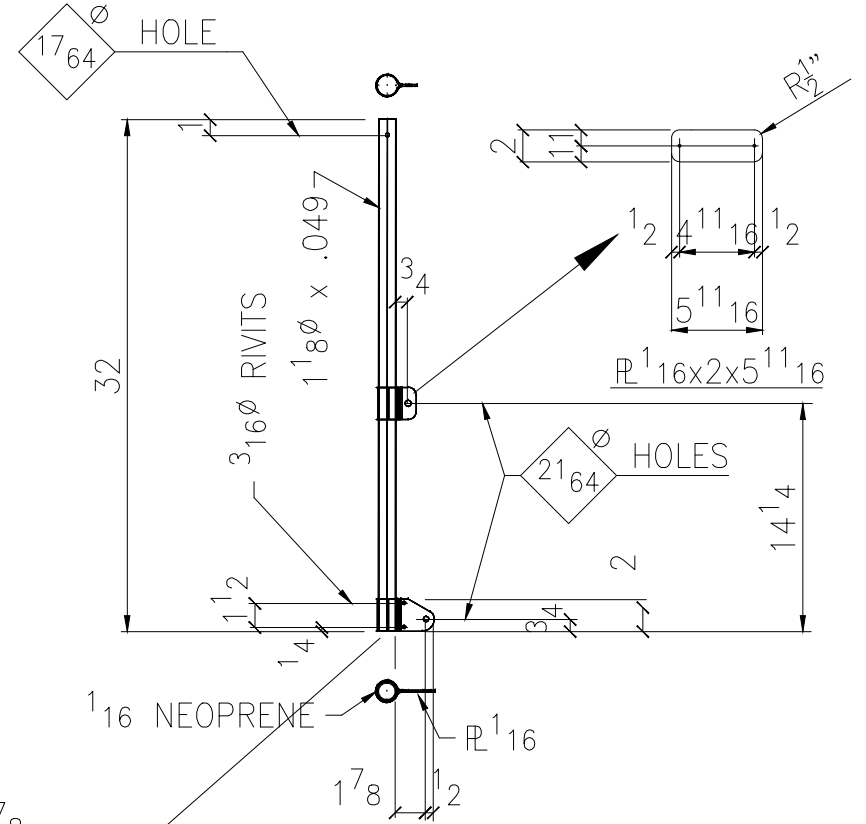
19E
ONE
HOOP #5 (TOP)



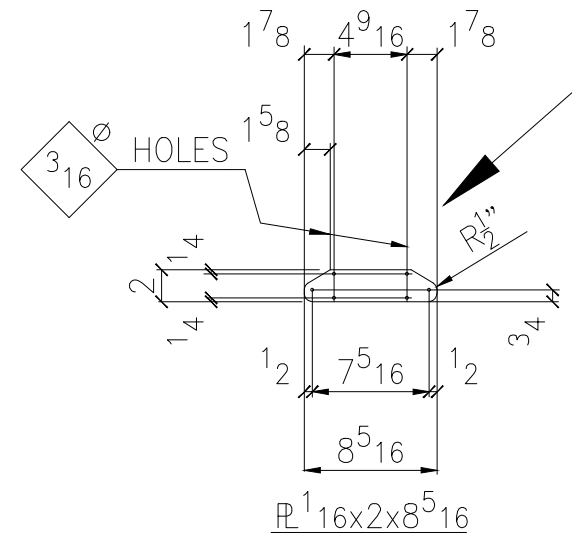
19B
2
HOOP #3 (BOT)



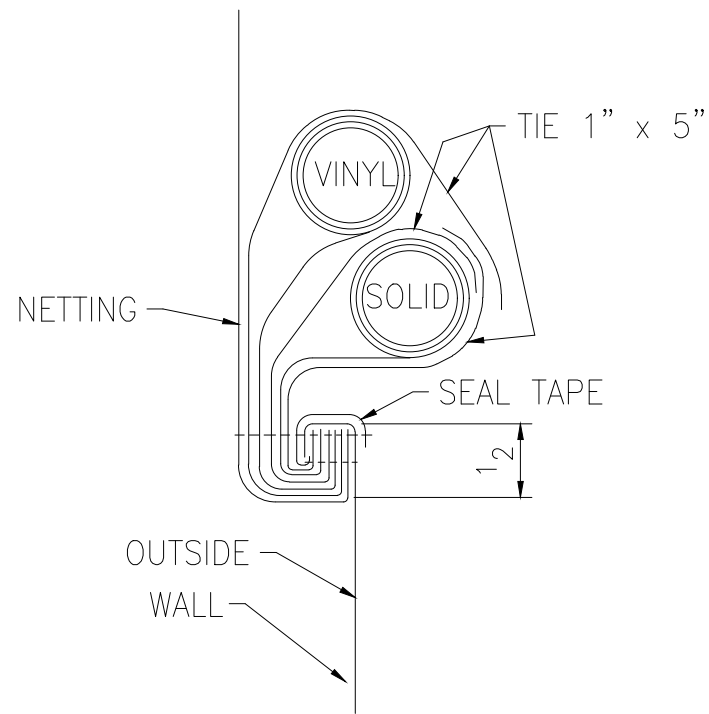
19C
2
HOOP #5 (MID)



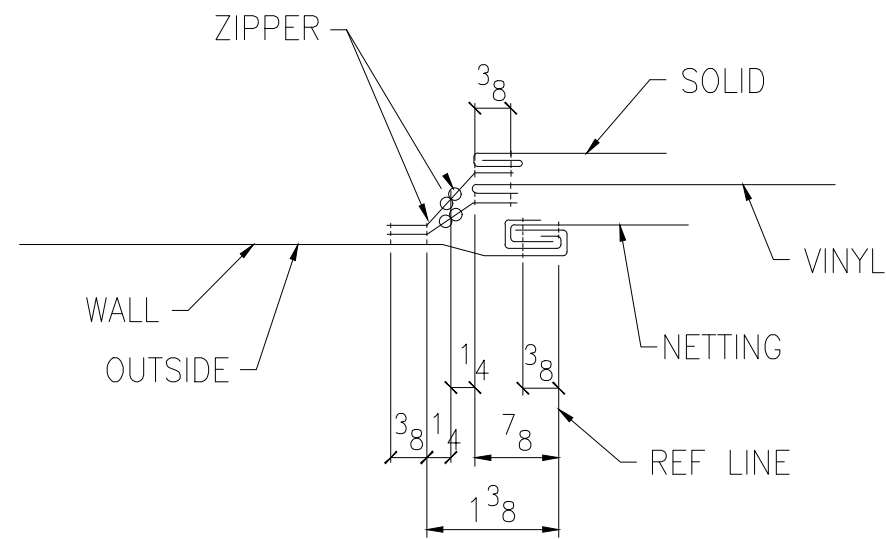
19D
2
HOOP #5 (BOT)



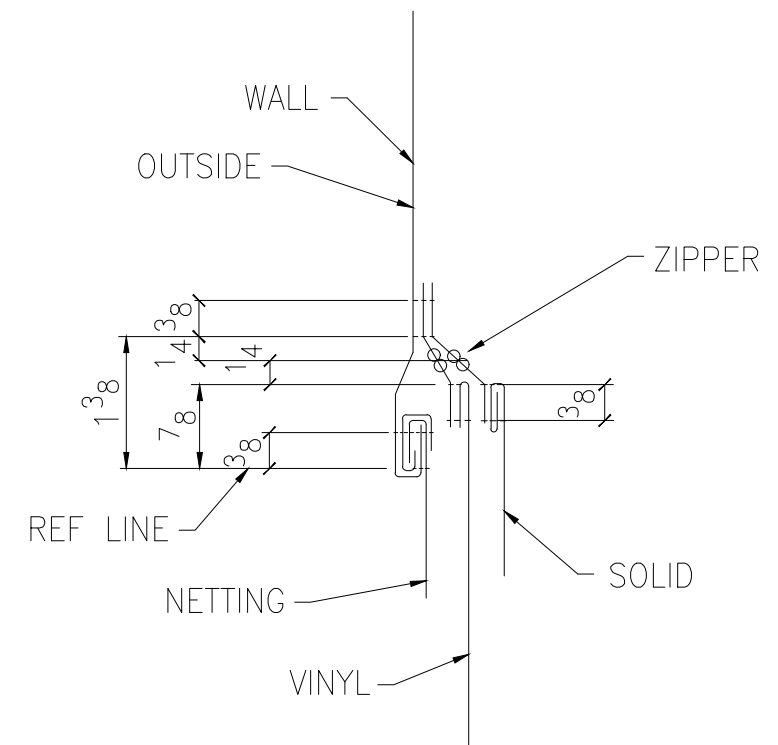
SHEET #	19	PROJECT	KING CAMP	DETAIL OF	HOOP 3 & 5	DRAWN	CRH	CHECKED
			MATERIAL		.049 STEEL TUBING			



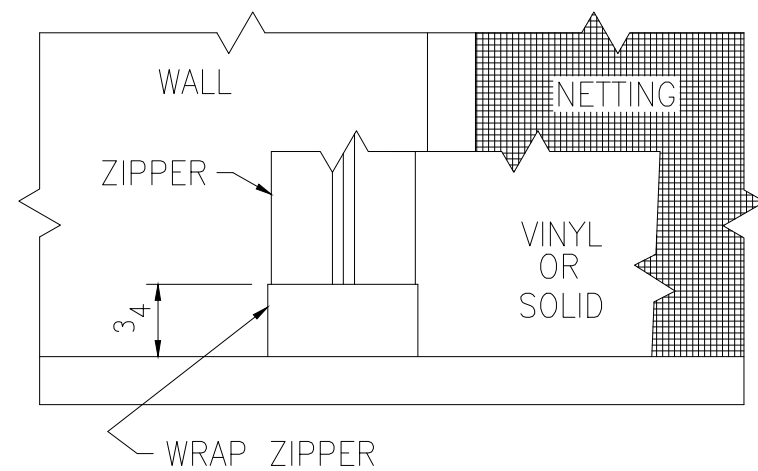
SECTION THROUGH WINDOW SILL
DRESSING AREA



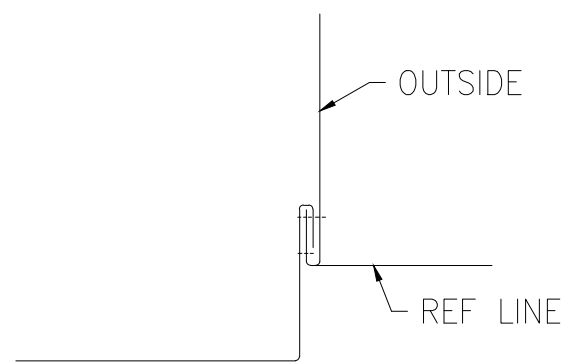
SECTION THROUGH WINDOW JAMB
DRESSING AREA



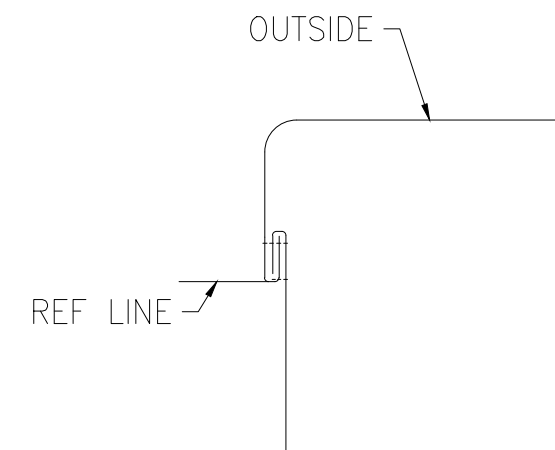
SECTION THROUGH WINDOW HEAD
DRESSING AREA



INSIDE ELEVATION VIEW AT WINDOW JAMB
DRESSING AREA



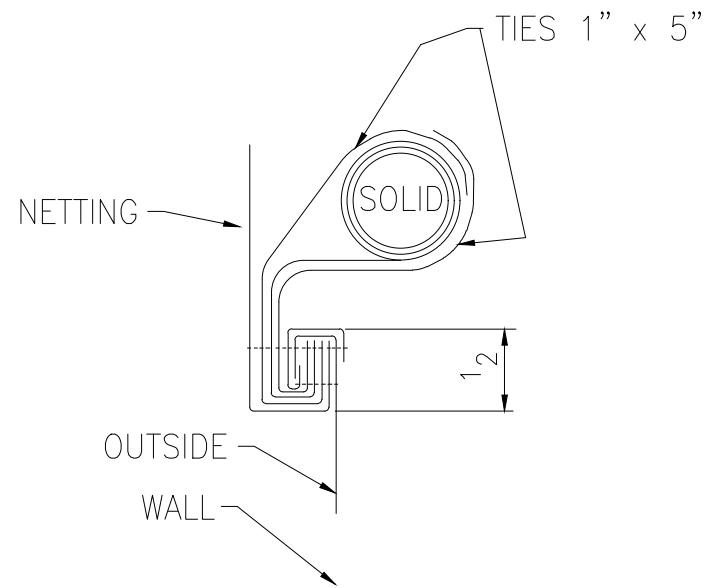
SECTION THROUGH FLOOR



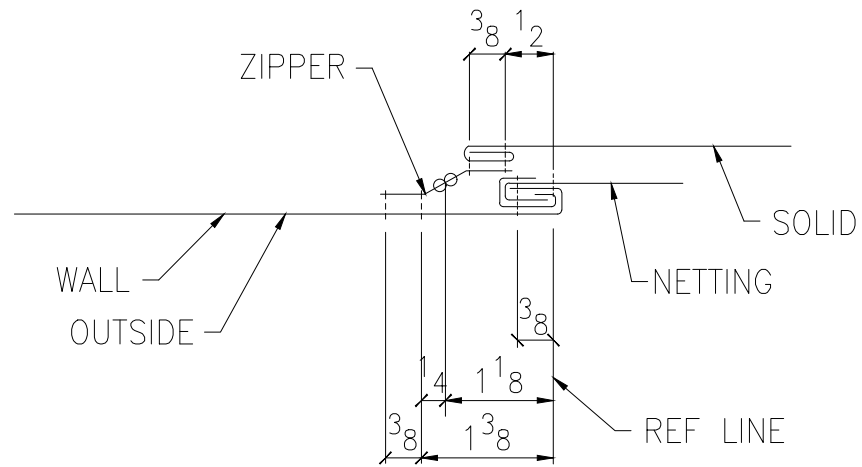
SECTION THROUGH ROOF

USE FLAT FELLED SEAMS
(SCALE: 6" = 1'-0)

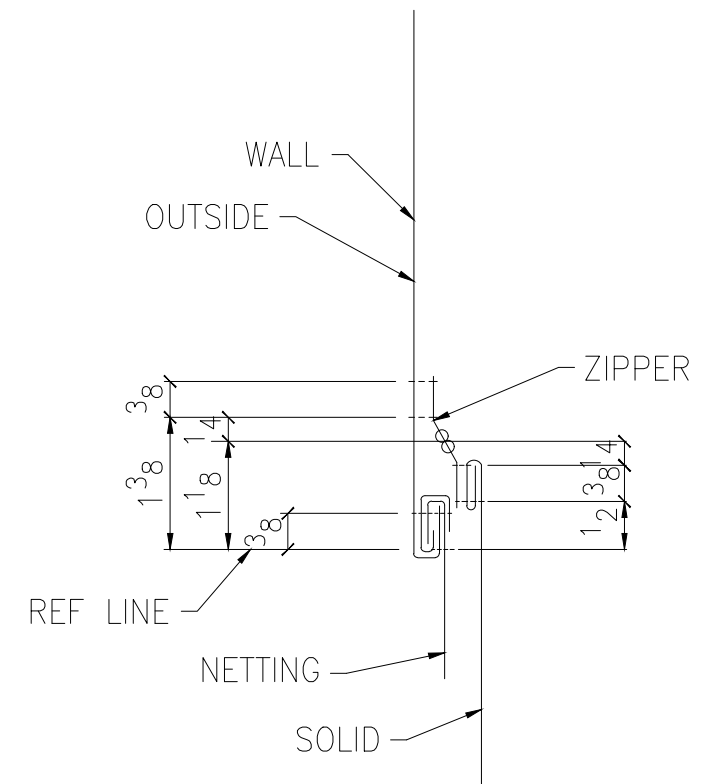
SHEET #	21	PROJECT	KING CAMP	DETAIL OF	DOOR & WINDOW	DRAWN	CRH	CHECKED
			MATERIAL		HEAD & JAMB SECTIONS			



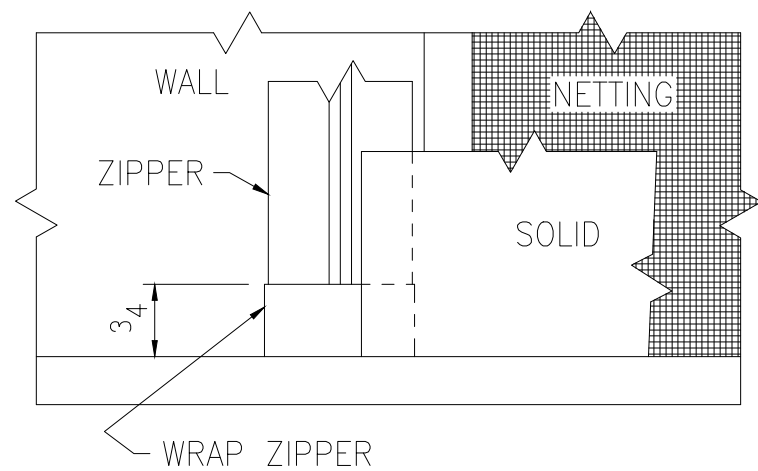
SECTION THROUGH WINDOW SILL
BED AREA



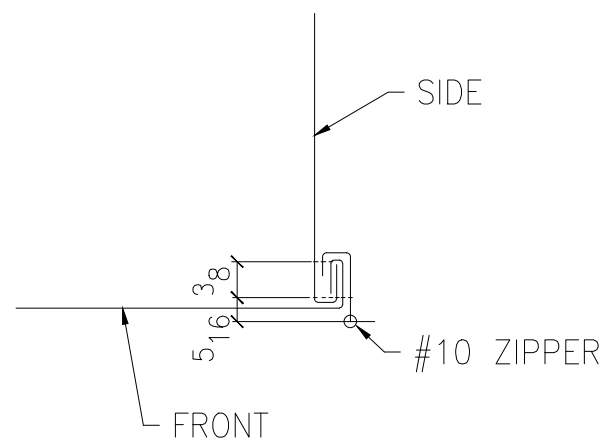
SECTION THROUGH WINDOW JAMB
BED AREA



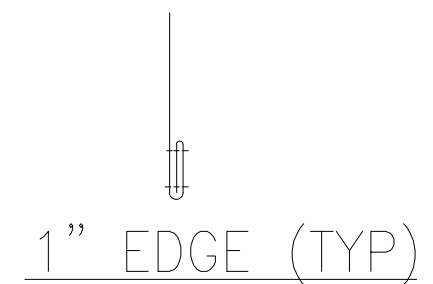
SECTION THROUGH WINDOW HEAD
BED AREA



INSIDE ELEVATION VIEW AT WINDOW JAMB
CAMP AREA



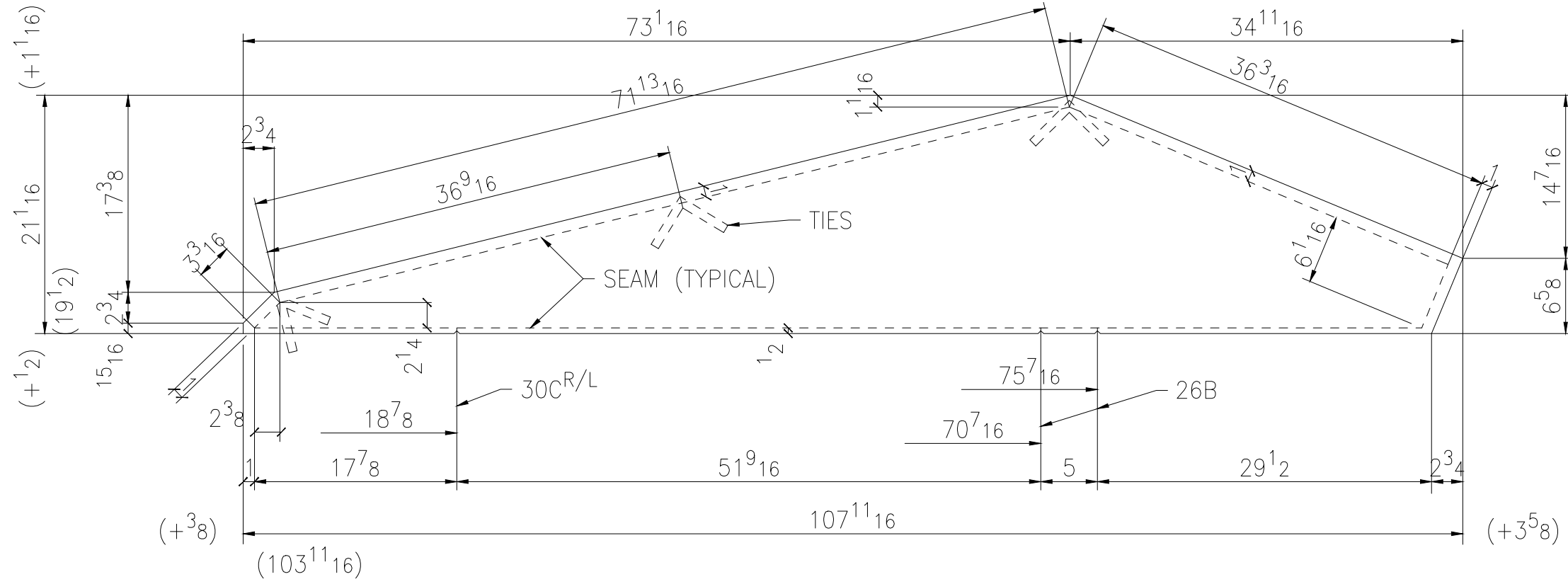
SECT. A
FRONT CORNER



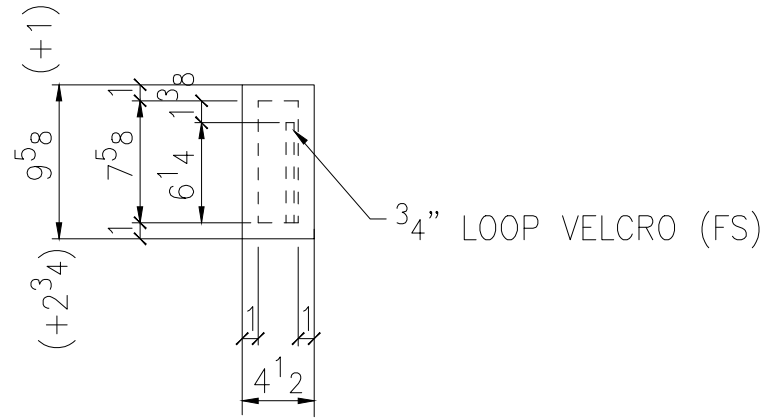
PROJECT	KING CAMP	DETAIL OF WINDOW HEAD, JAMB & SILL SECTIONS	DRAWN	CYH	CHECKED
	MATERIAL			CRH	
AutoSD, Inc. Meridian, MS					

SHEET #	22
---------	----

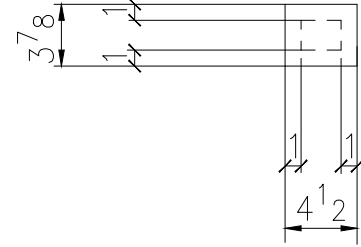
USE FLAT FELLED SEAMS
(SCALE: 6" = 1'-0)



$\frac{24A^{R/L}}{1^R-1^L}$ REAR WINDOW HEAD

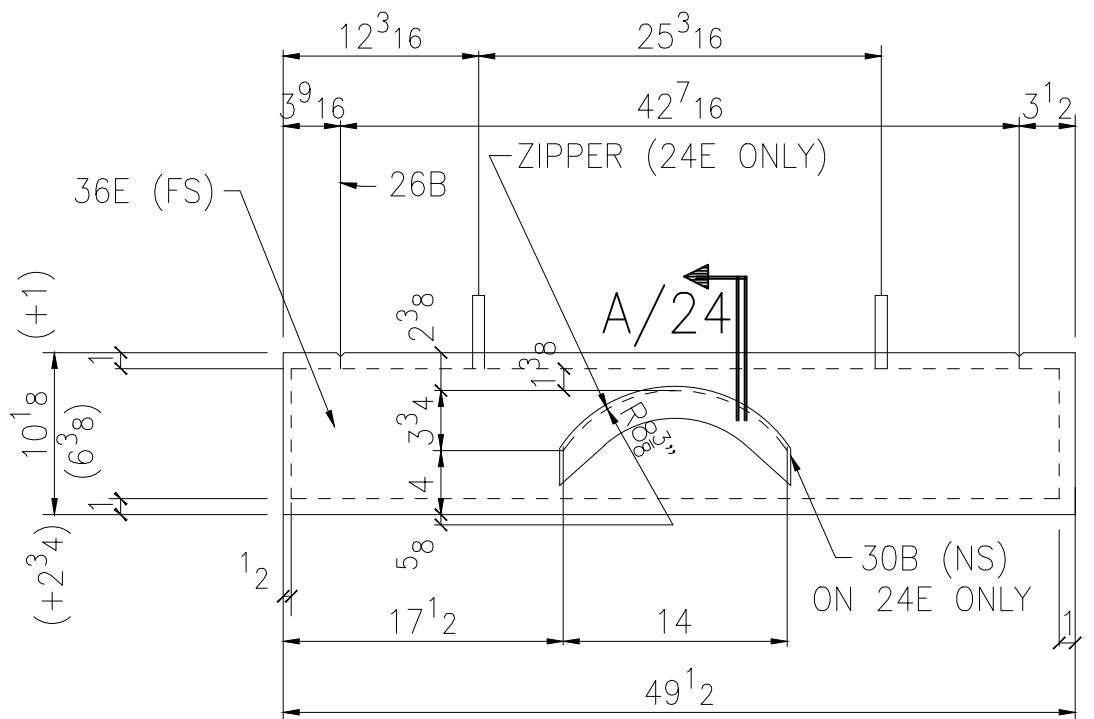


$\frac{24D^{R/L}}{1^R-1^L}$ FRONT & REAR SPLIT

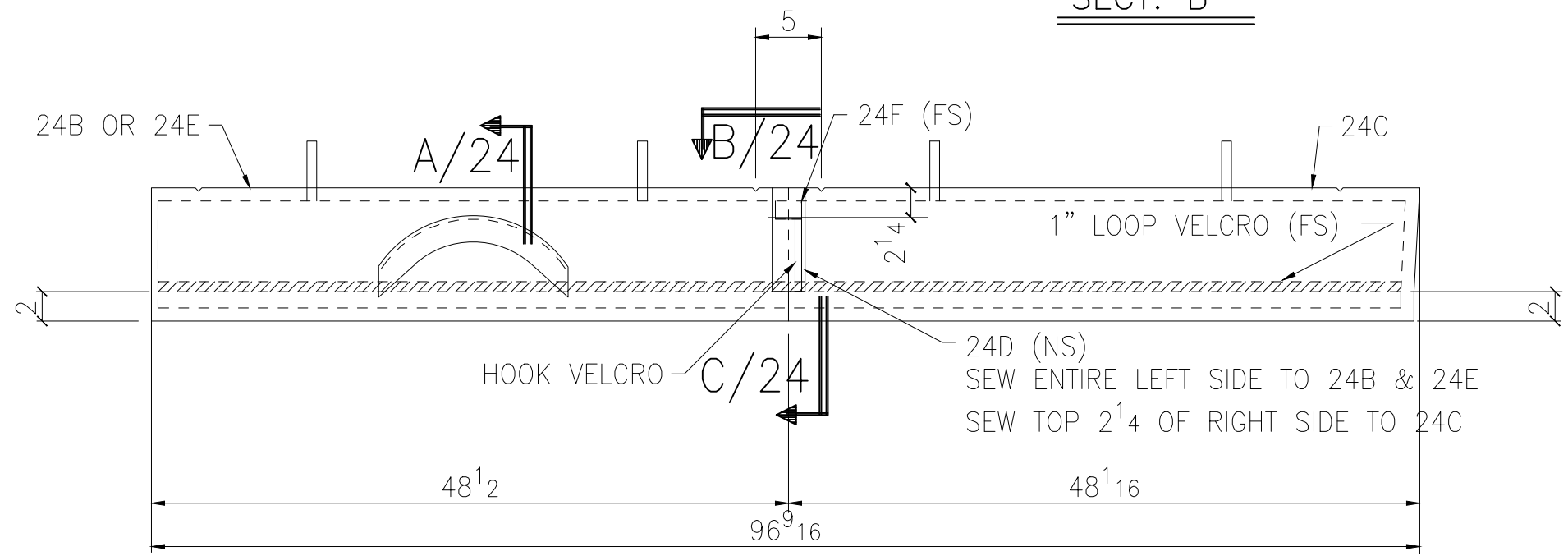
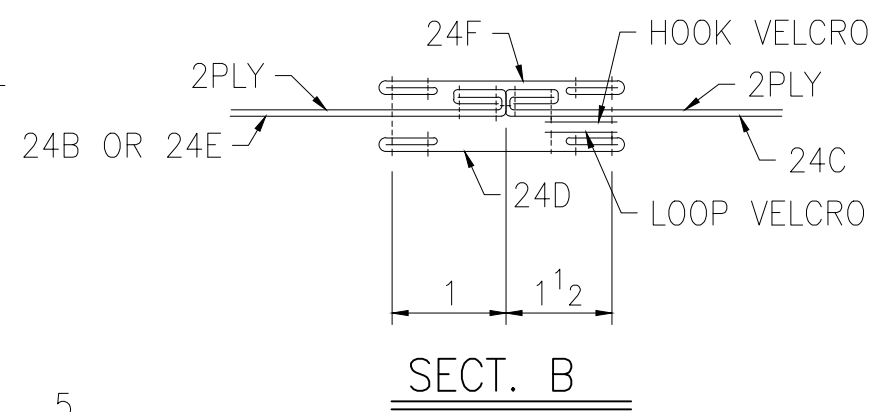
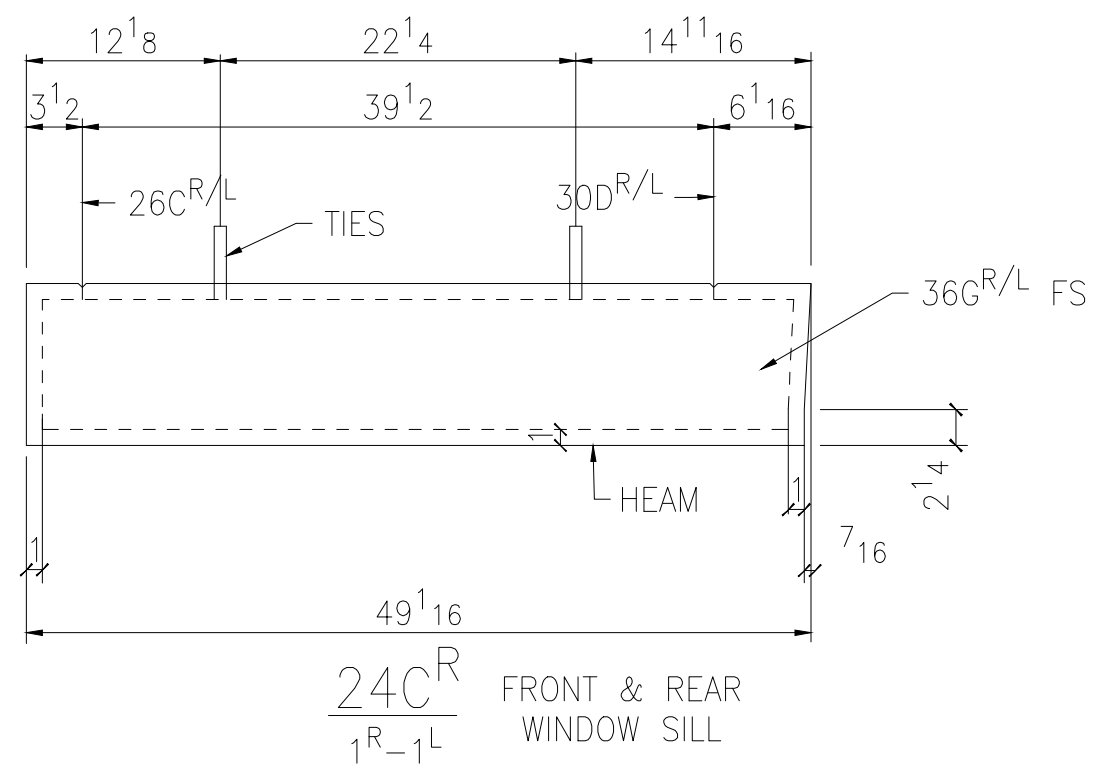
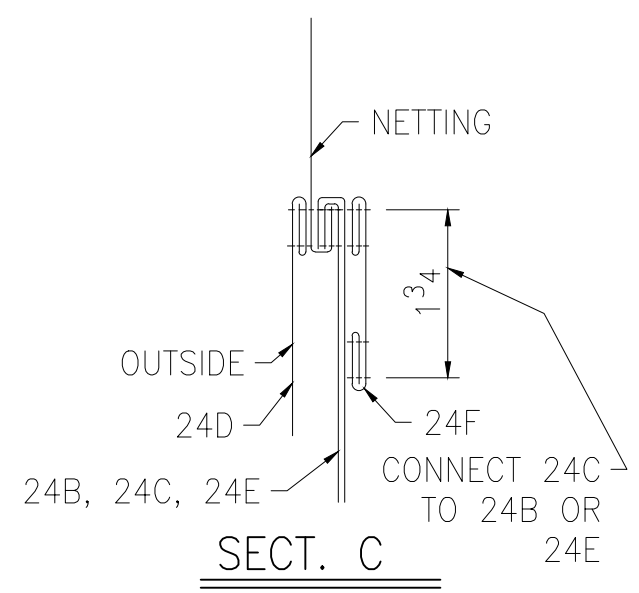


$\frac{24F}{2}$

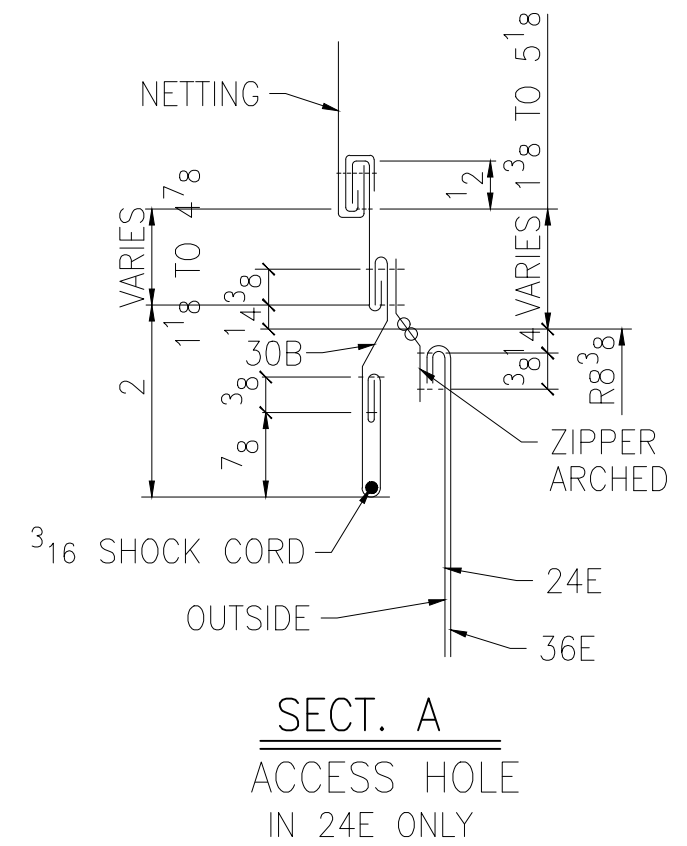
SHEET # 24	AutoSD, Inc. Meridian, MS	PROJECT	KING CAMP	DETAIL OF SIDING PANELS 3, 8	DRAWN CRH	CHECKED
		MATERIAL	600 DENIER URETHANE COATED			



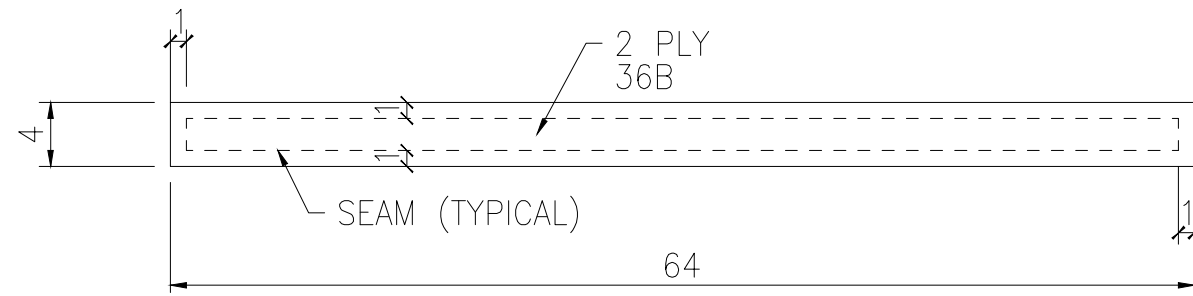
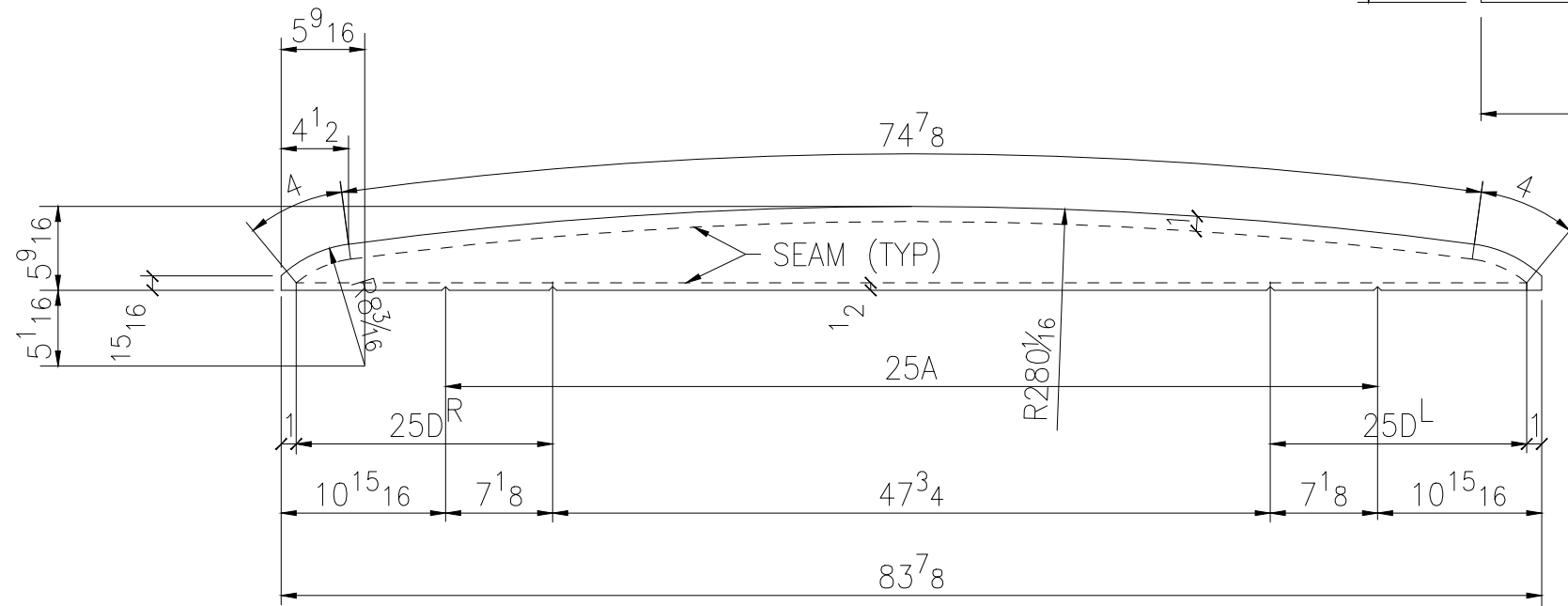
24B (AS SHN) REAR WINDOW SILL ONE
 24E (OPP HND) FRONT WINDOW SILL ONE



ASSEMBLY OF 24B OR 24E & 24C, 25D, 24F

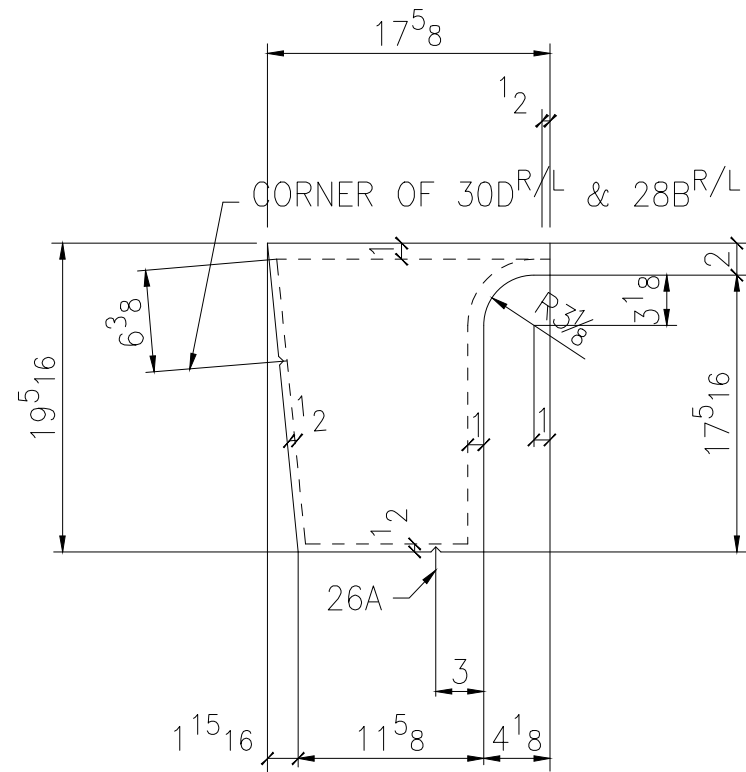


SHEET #	24A	PROJECT	KING CAMP	CHECKED
	AutoSD, Inc. Meridian, MS		MATERIAL 600 DENIER URETHANE COATED	
DRAWN	CRH	DETAIL OF	SIDING PANELS 3, 8	DRAWN



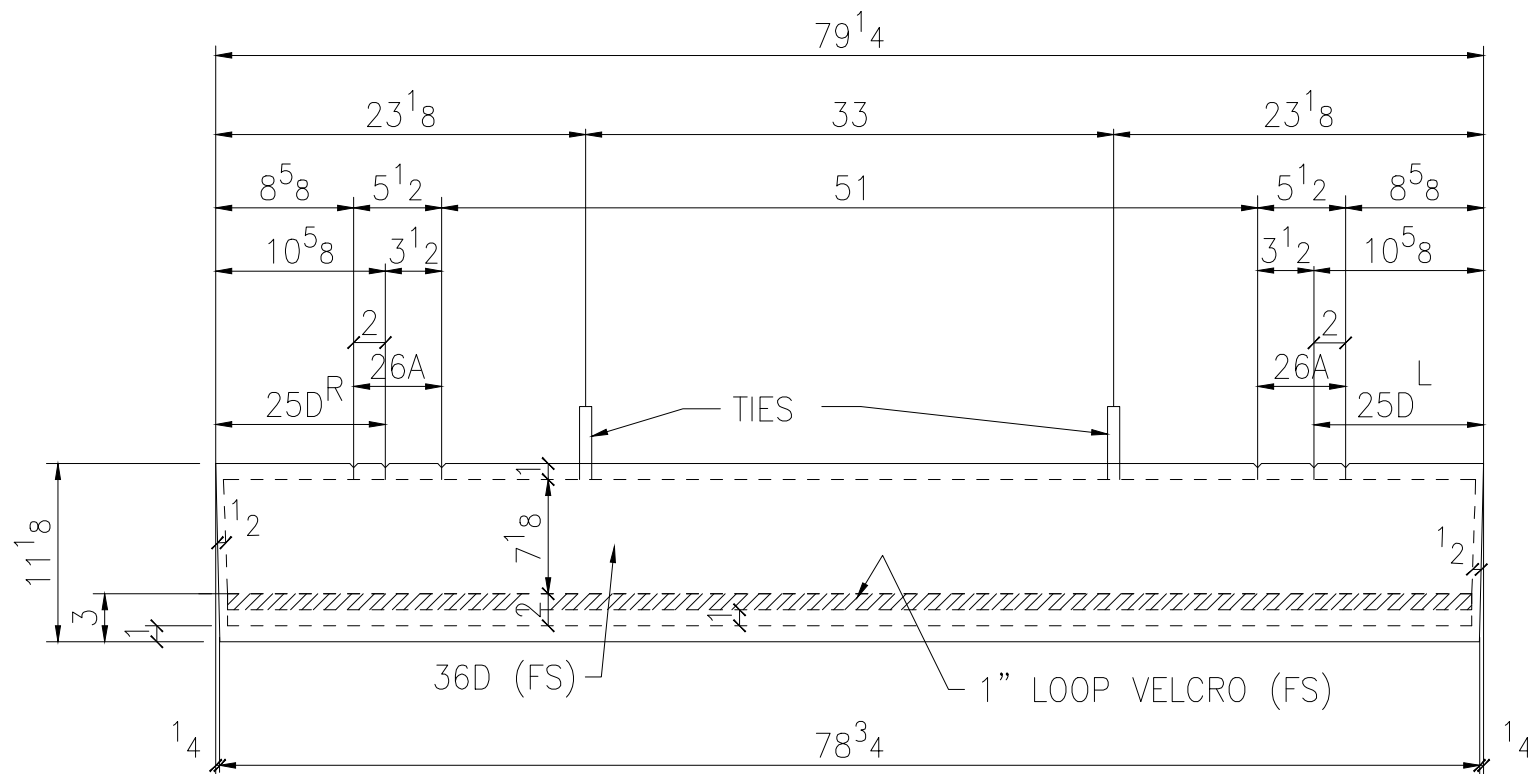
25A RIGHT SIDE WINDOW UPPER FLAP
ONE

25B RIGHT SIDE WINDOW HEAD
ONE



25D^{R/L}
1^R-1^L

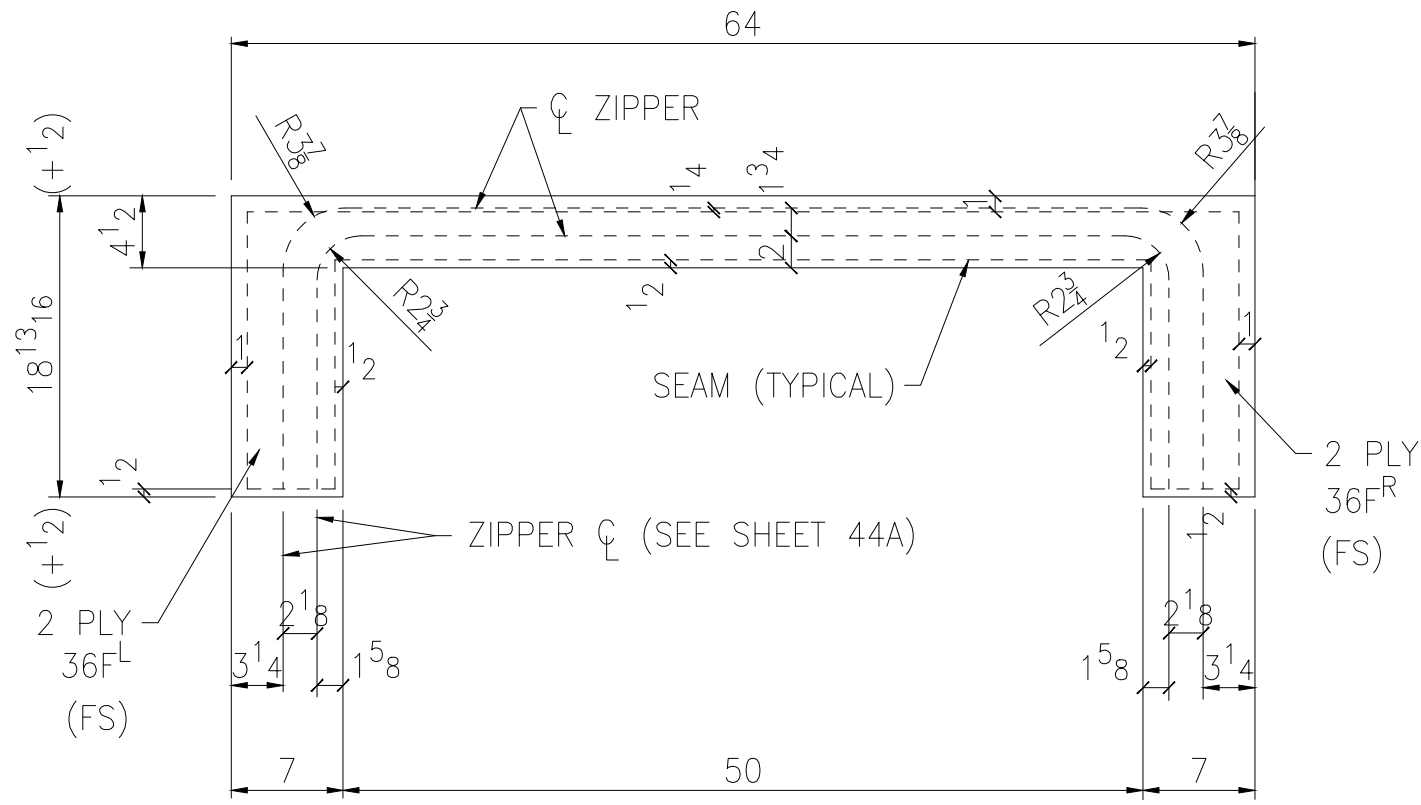
RIGHT SIDE WINDOW JAMB



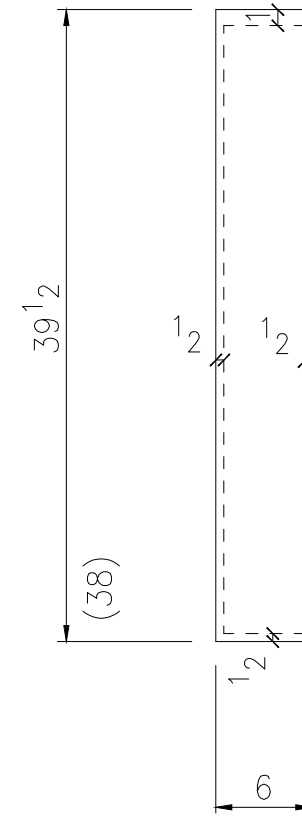
25C RIGHT SIDE WINDOW SILL
ONE

2 PLY = 18.0 oz VINYL COATED POLESTER + 600 DENIER URETHANE COATED

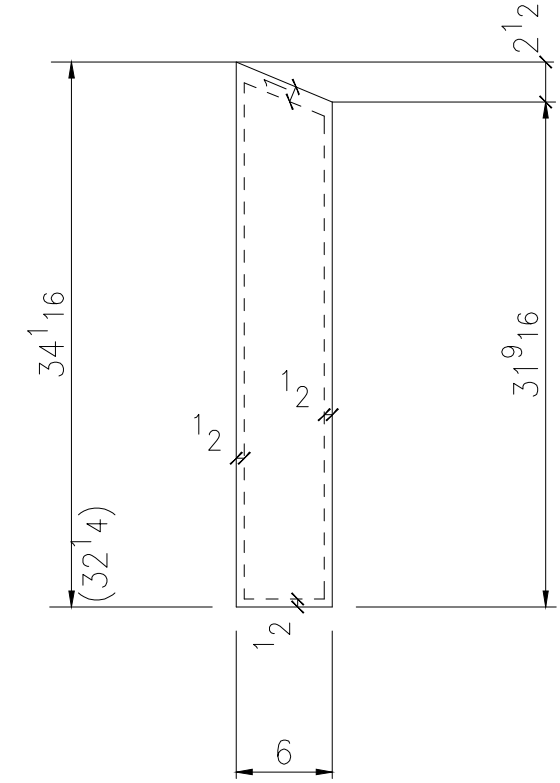
SHEET #	25
	AutoSD, Inc. Meridian, MS
PROJECT	KING CAMP
MATERIAL	600 DENIER URETHANE COATED
DETAIL OF SIDING PANELS	11, 12, 13
DRAWN	CRH
CHECKED	



26A
ONE
RIGHT SIDE WINDOW FRAME



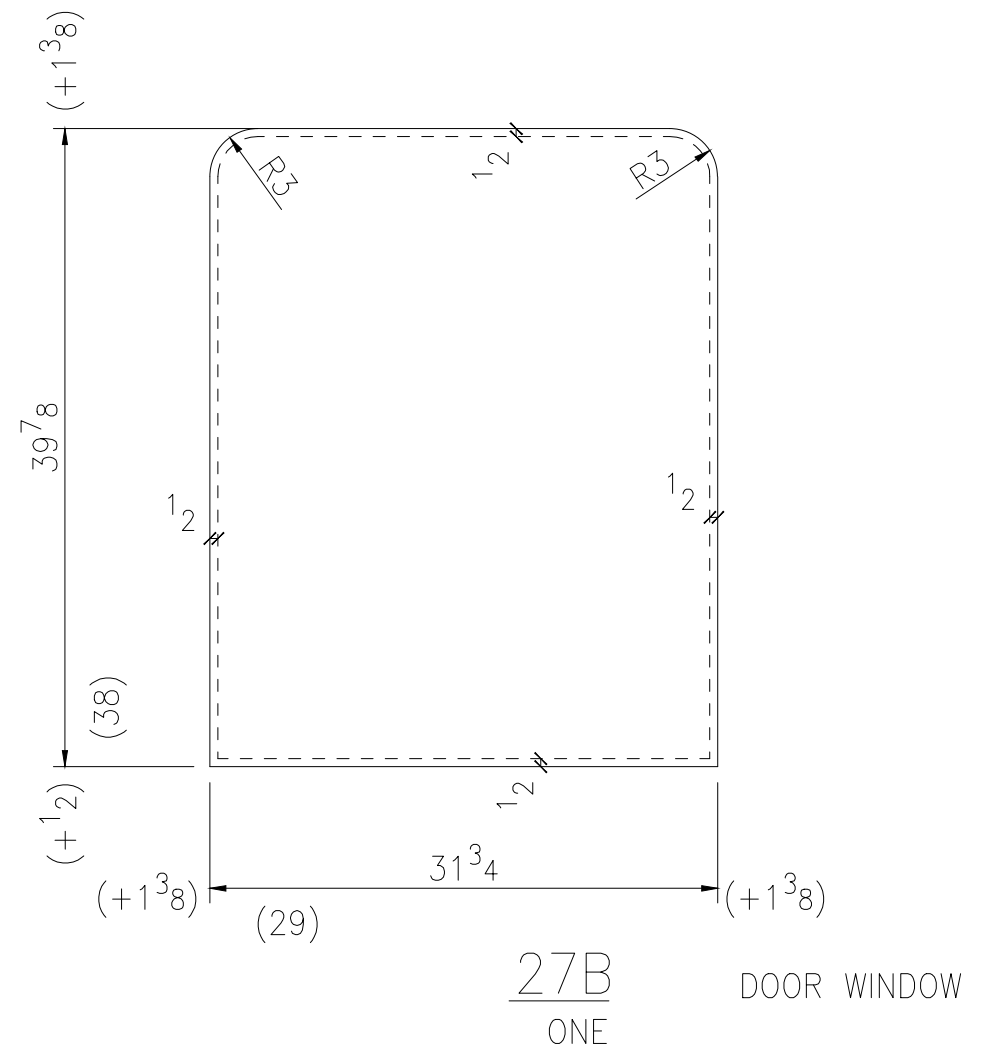
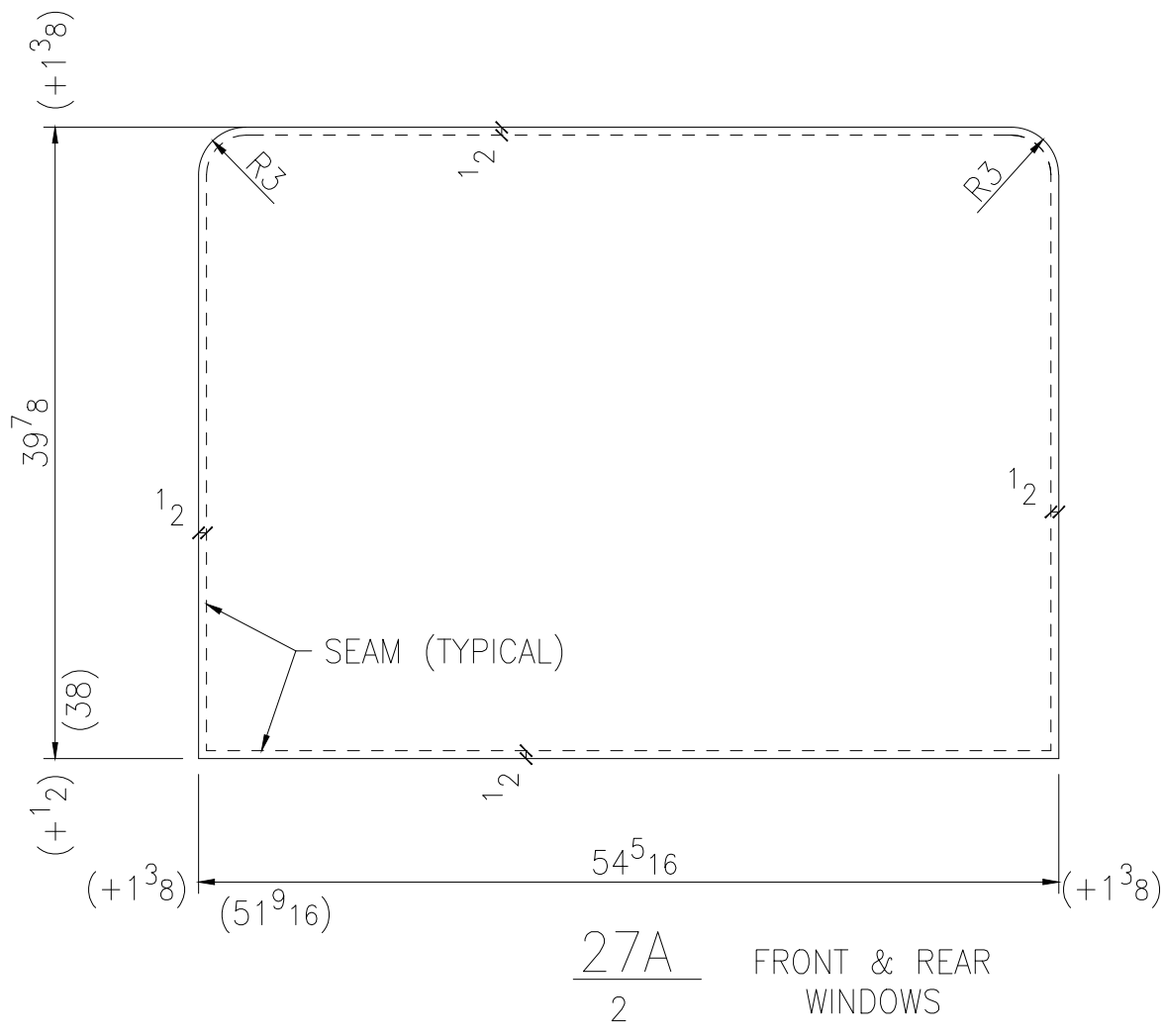
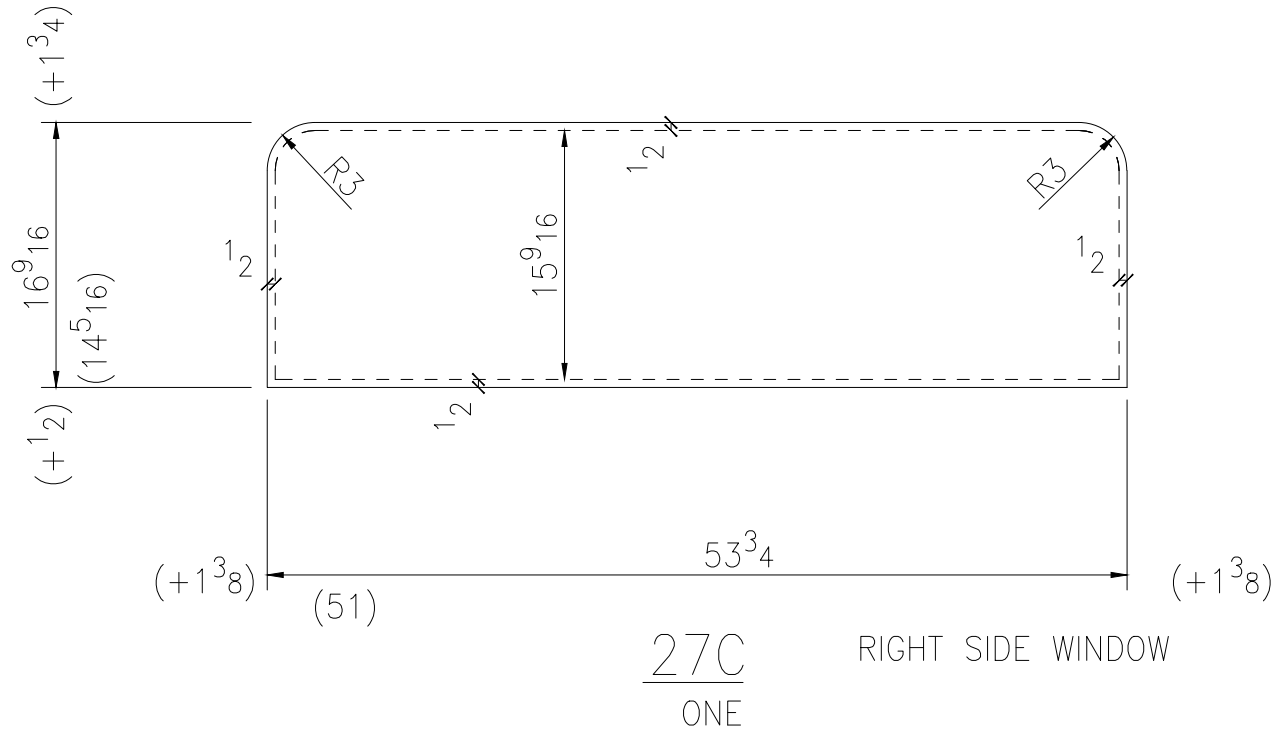
26B
2
FRONT & REAR WINDOW JAMBS



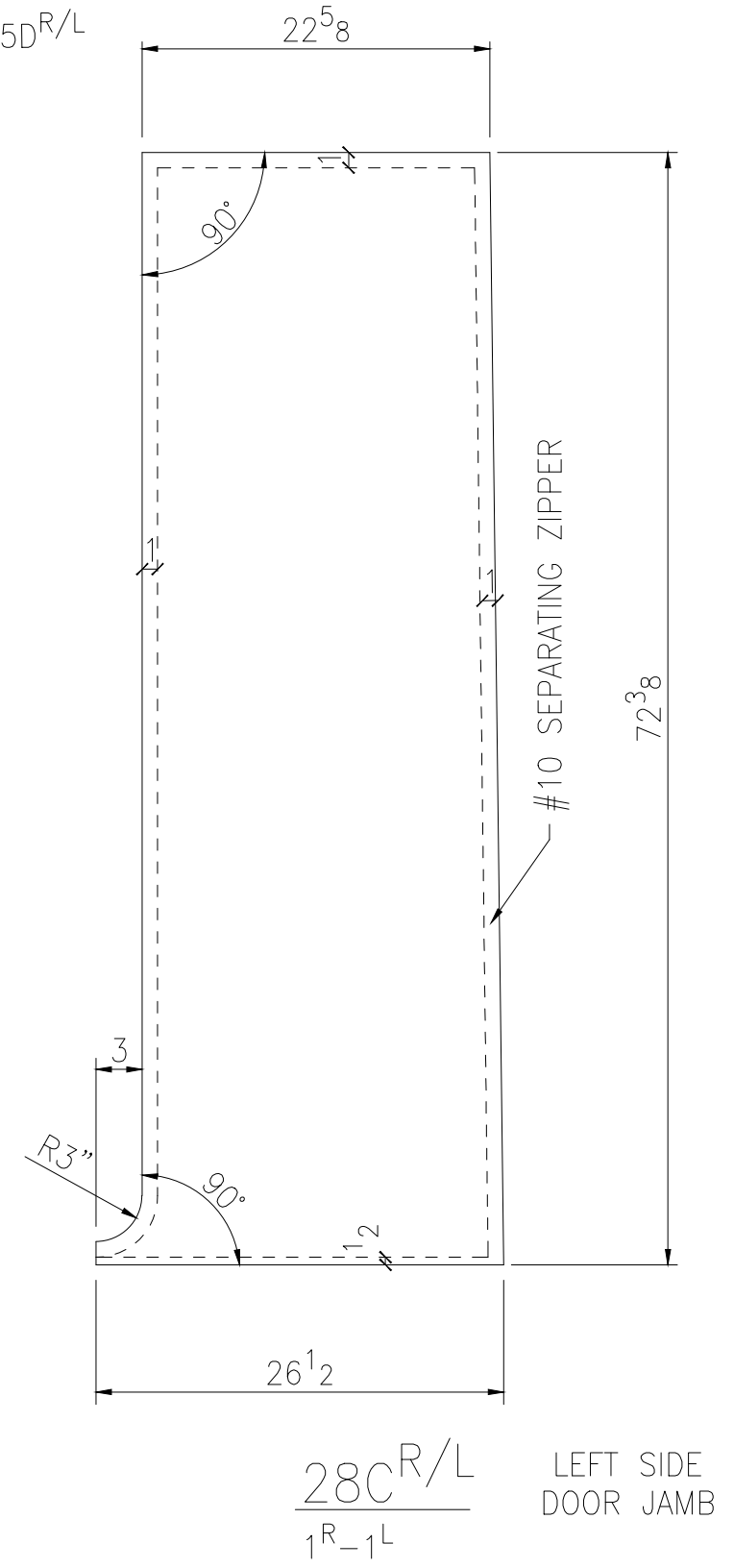
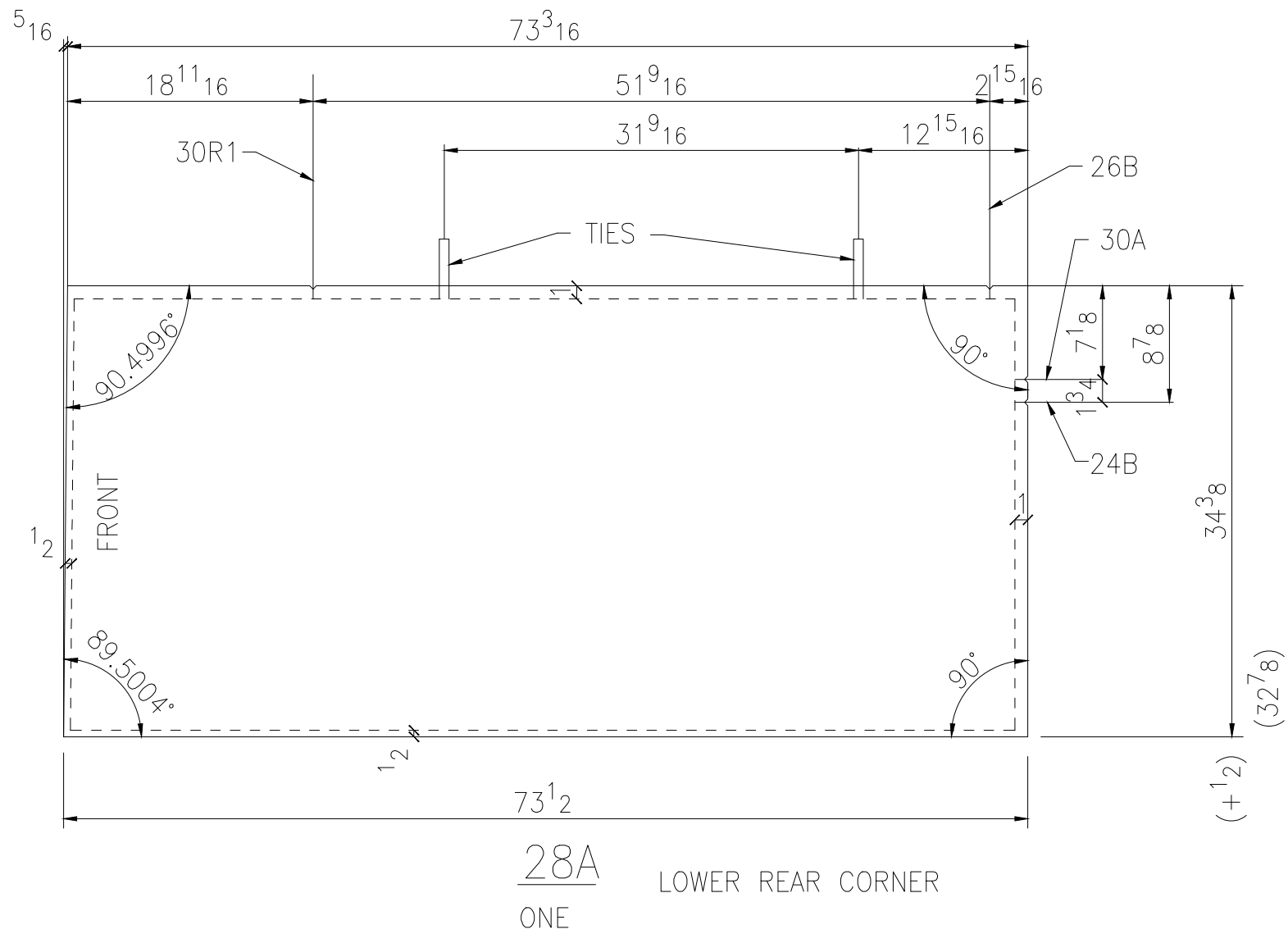
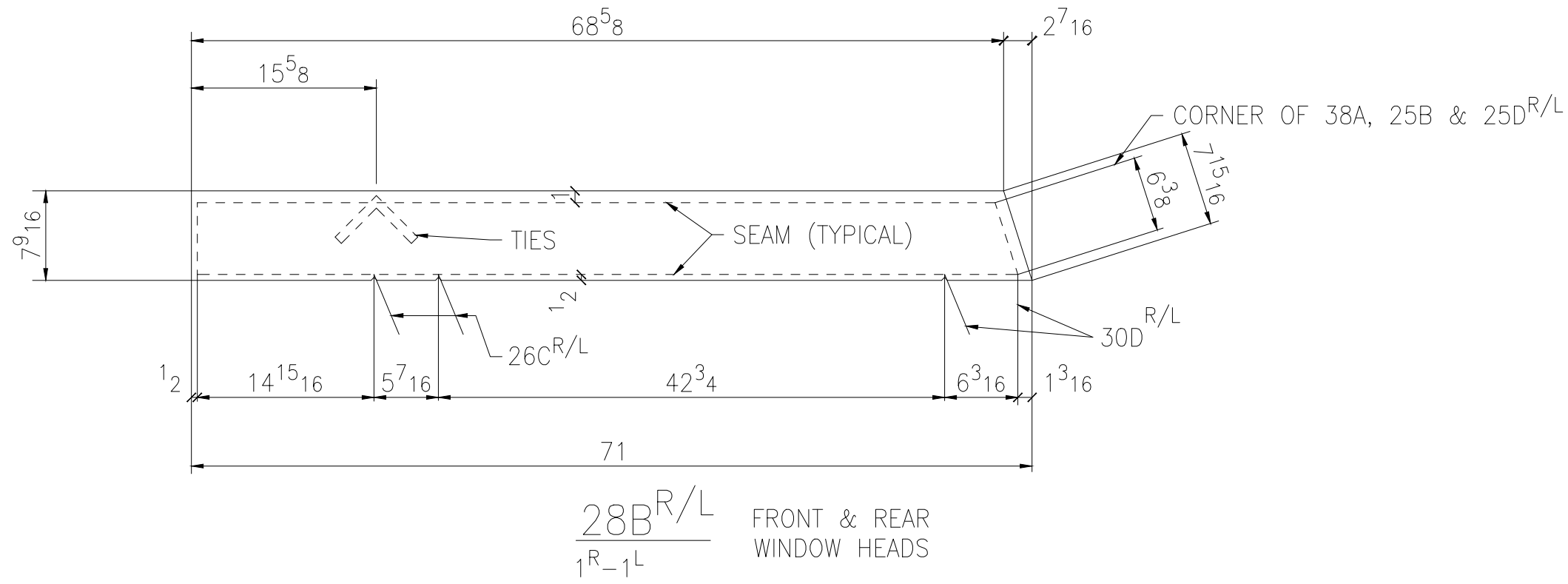
26C^{R/L}
1^R-1^L
FRONT & REAR WINDOW JAMBS

2 PLY = 14.0 oz VINYL COATED POLESTER + 600 DENIER URETHANE COATED

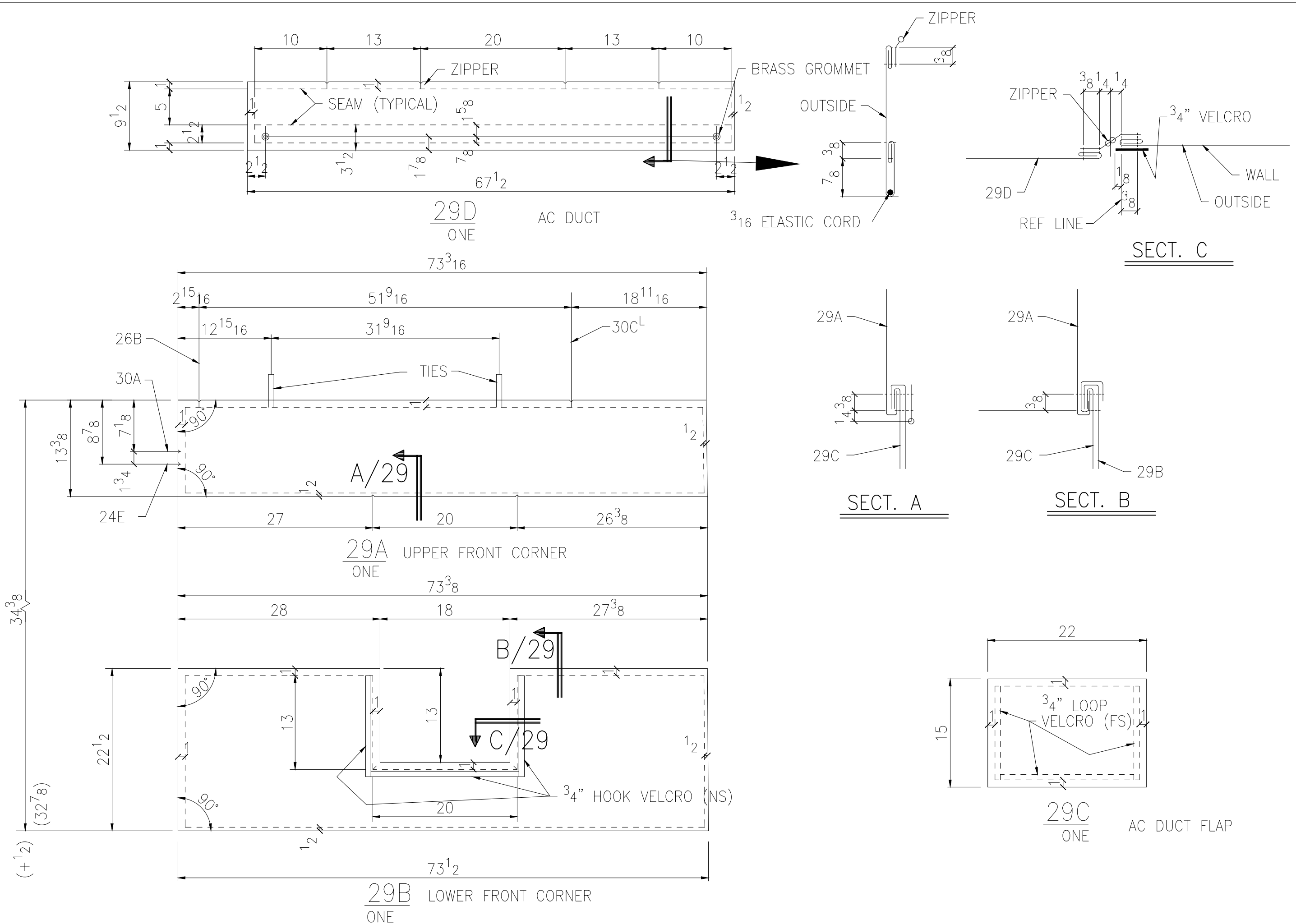
SHEET # 26	AutoSD, Inc. Meridian, MS	PROJECT	KING CAMP	DETAIL OF SIDING PANELS 4, 5, 14	DRAWN CRH	CHECKED
		MATERIAL	600 DENIER URETHANE COATED			



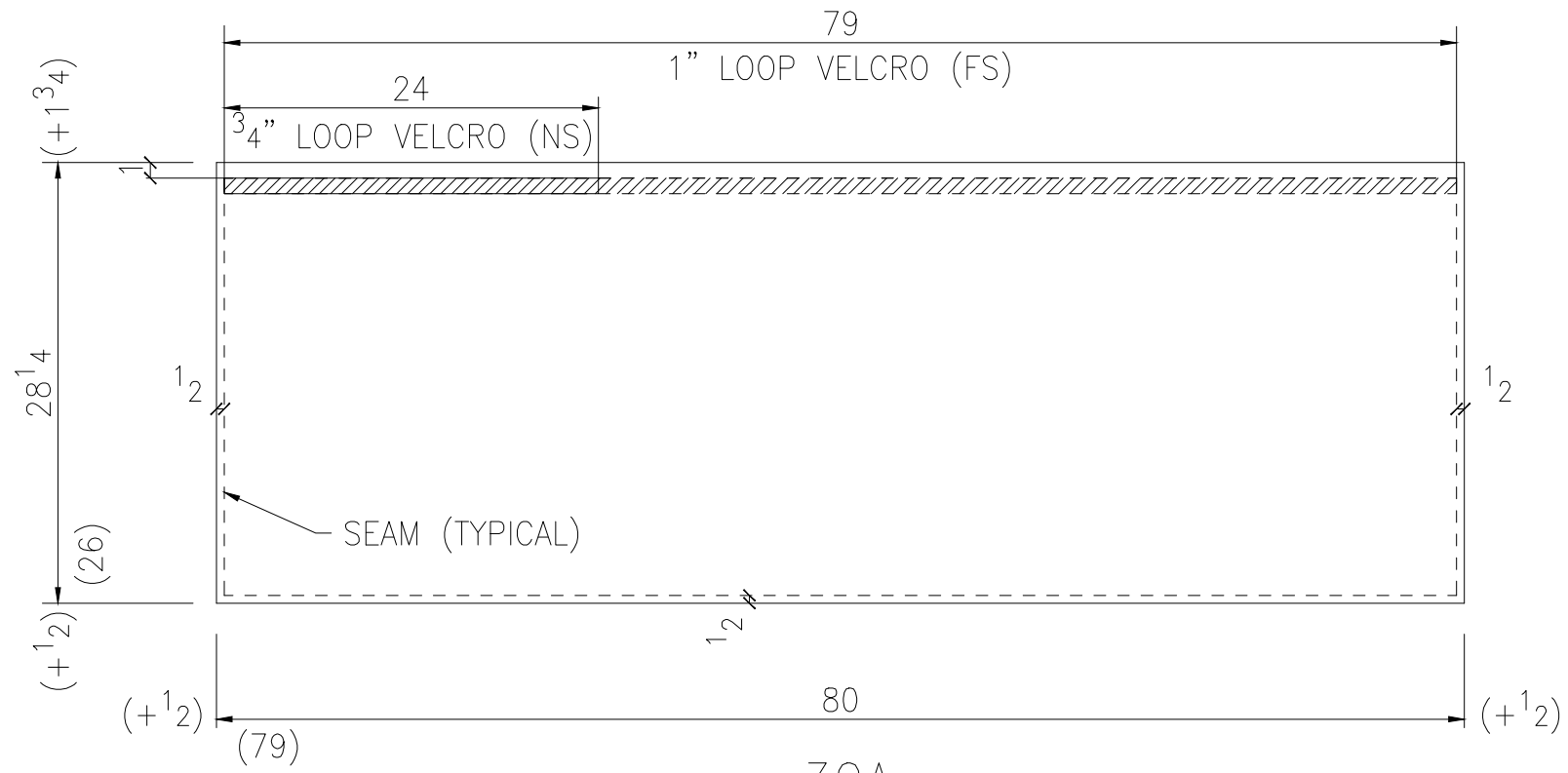
SHEET # 27	AutoSD, Inc. Meridian, MS	PROJECT	KING CAMP	DETAIL OF WINDOWS TINT PANELS 15B, 16B, 19B	DRAWN CRH	CHECKED
		MATERIAL	12 MIL TINTED Vinyl Film			



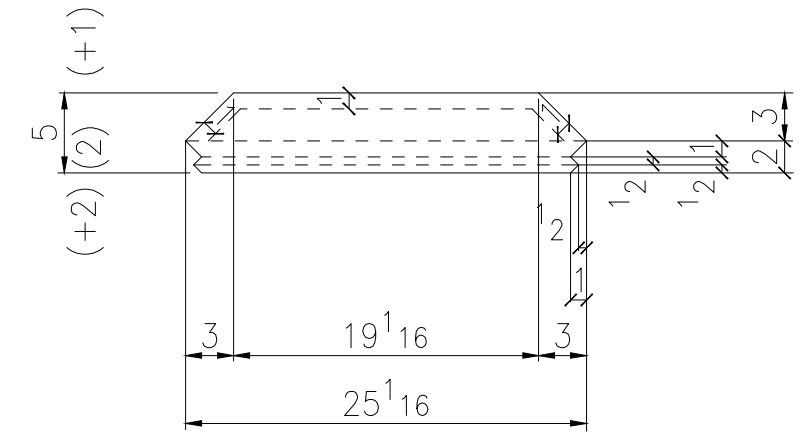
SHEET #	28	PROJECT	KING CAMP	CHECKED
		MATERIAL	600 DENIER URETHANE COATED	DRAWN
				CRH
		DETAIL OF	PANELS 1R, 6R, 6F, 21R, 21F	



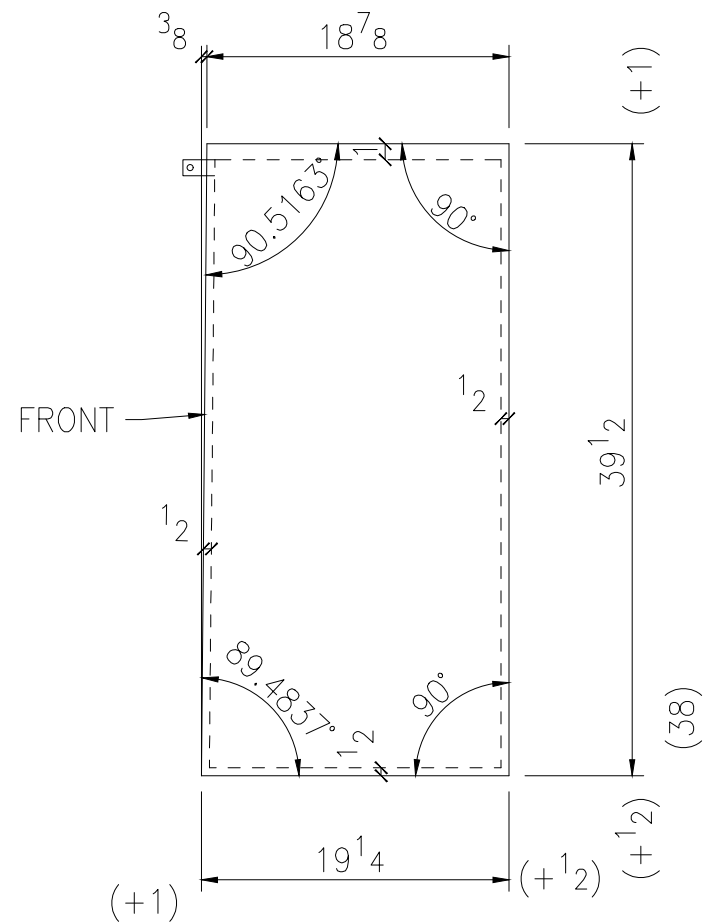
SHEET #	AutoSD, Inc.	PROJECT	KING CAMP	DETAIL OF	PANELS 1F, A-D	DRAWN	CRH	CHECKED
	Meridian, MS		MATERIAL		600 DENIER URETHANE COATED			
29								



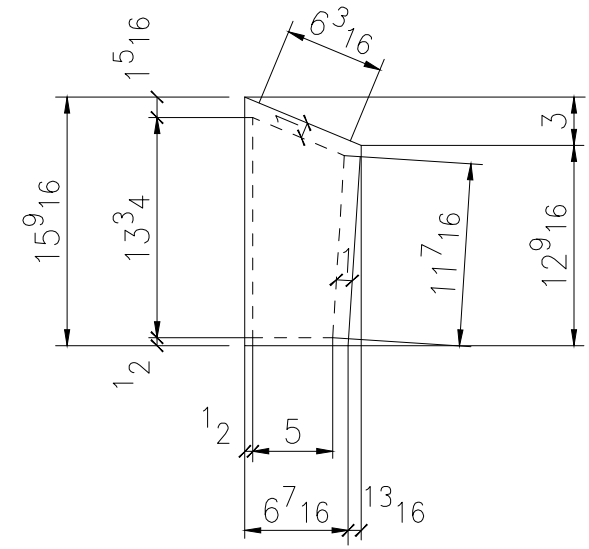
30A
ONE LOWER LEFT SIDE PANEL



30B
ONE ACCESS FLAP @ FRONT

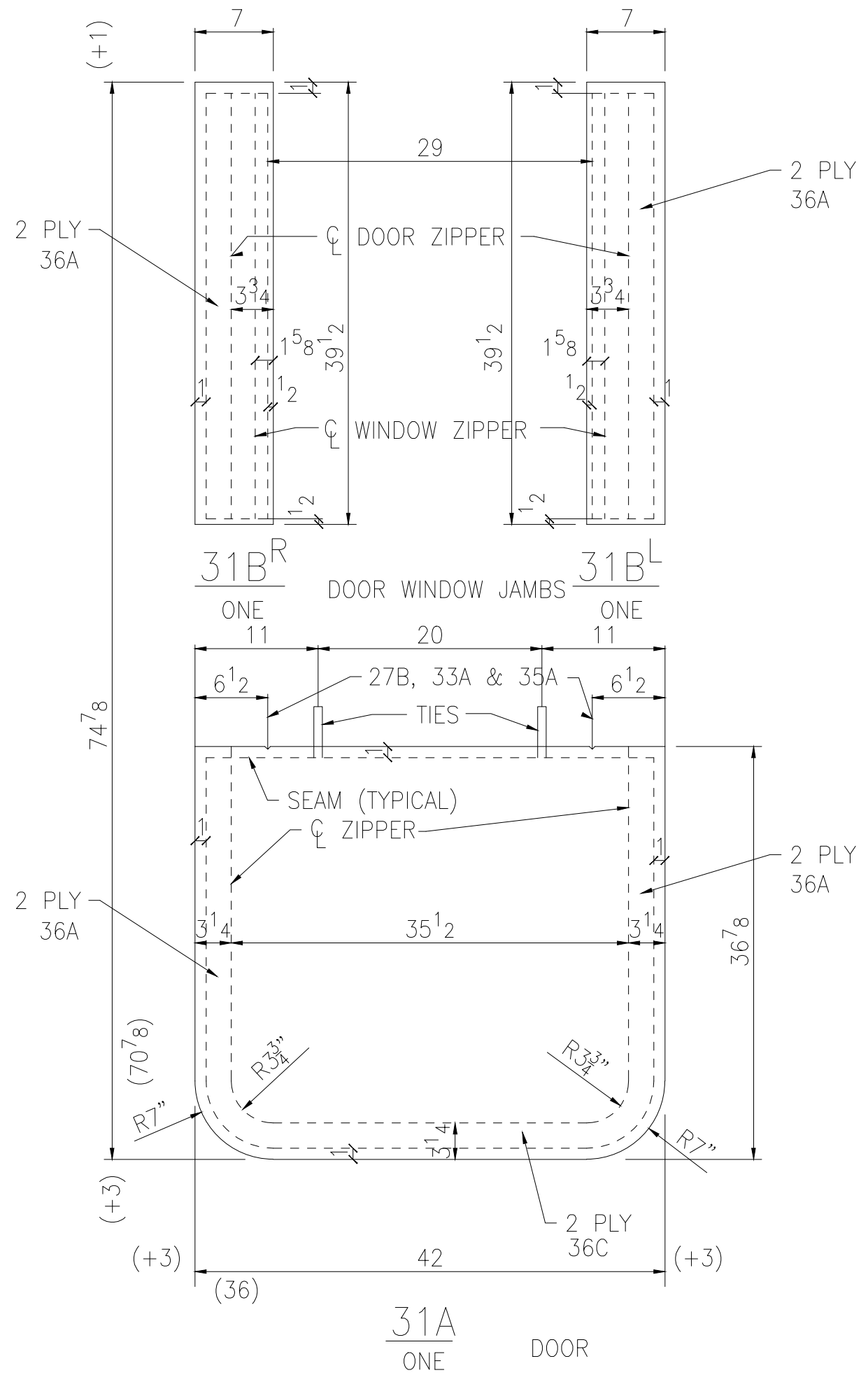
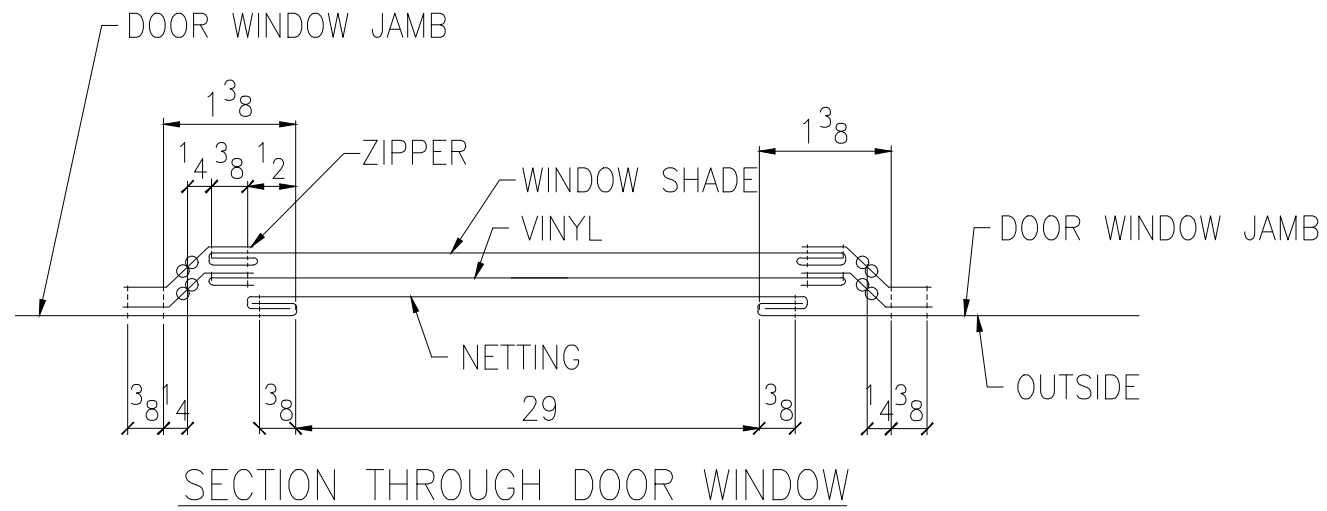


30C^{R/L}
1^R-1^L UPPER FRONT & REAR CORNER

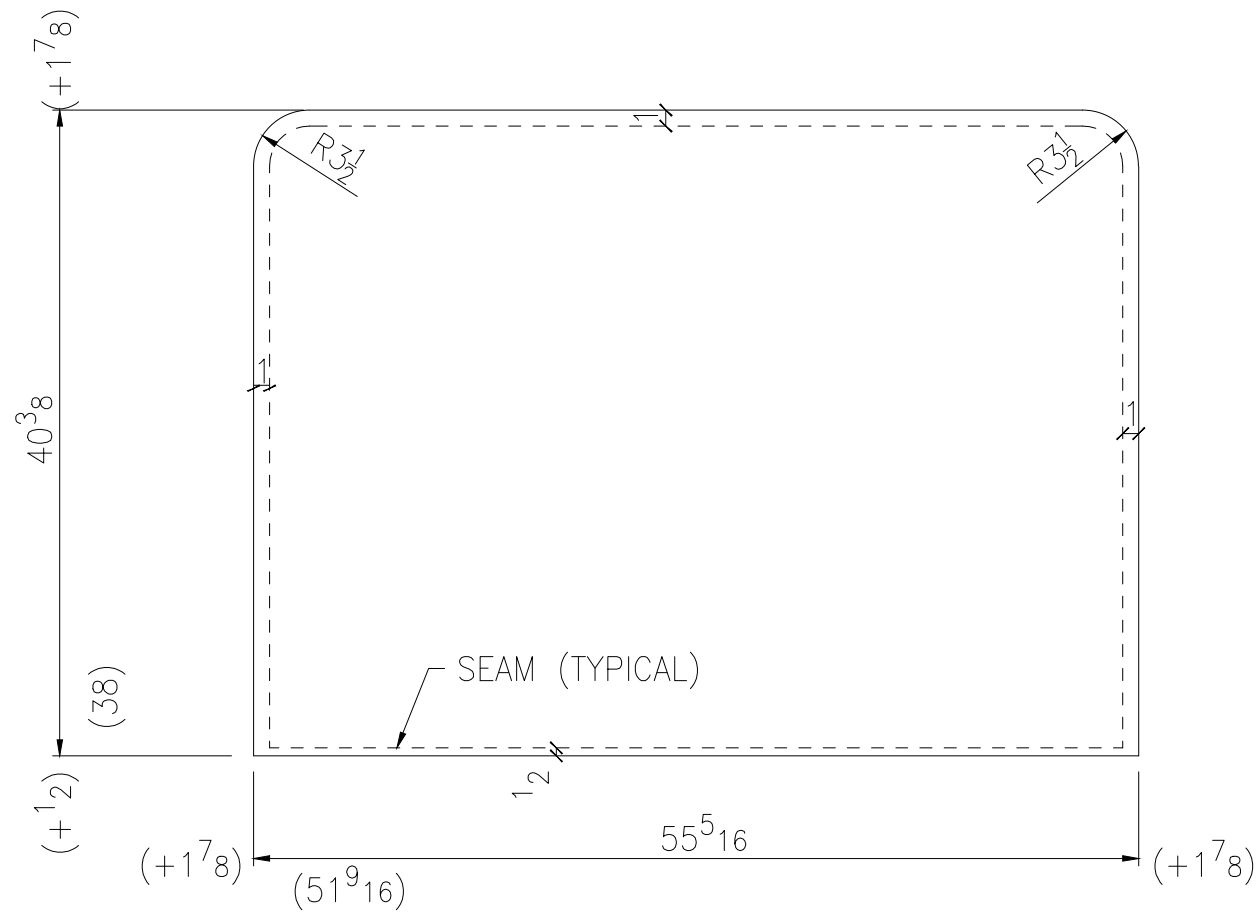


30D^{R/L}
1^R-1^L FRONT & REAR WINDOW JAMBS

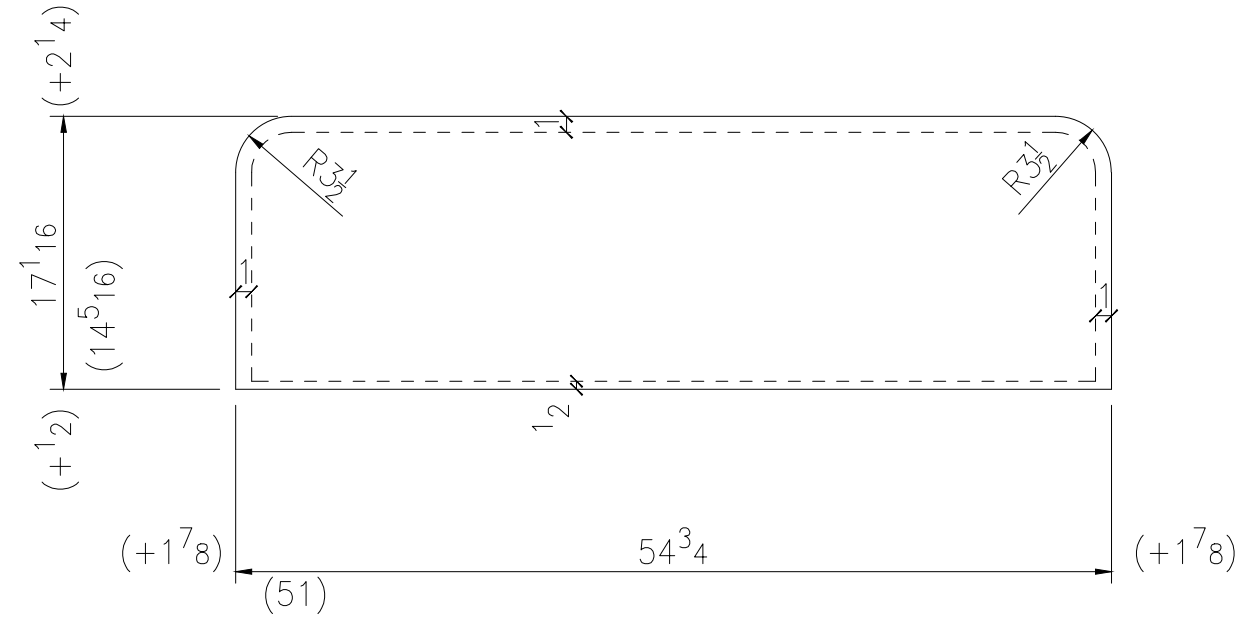
SHEET # 30	AutoSD, Inc. Meridian, MS	PROJECT	KING CAMP	DETAIL OF PANELS 2, 7, 8, 9	DRAWN	CRH	CHECKED
		MATERIAL	600 DENIER URETHANE COATED				



SHEET #	31
	AutoSD, Inc. Meridian, MS
PROJECT	KING CAMP
MATERIAL	600 DENIER URETHANE COATED
DETAIL OF	DOOR PANEL 15C, 15DR, 15DL
DRAWN	CRH
CHECKED	



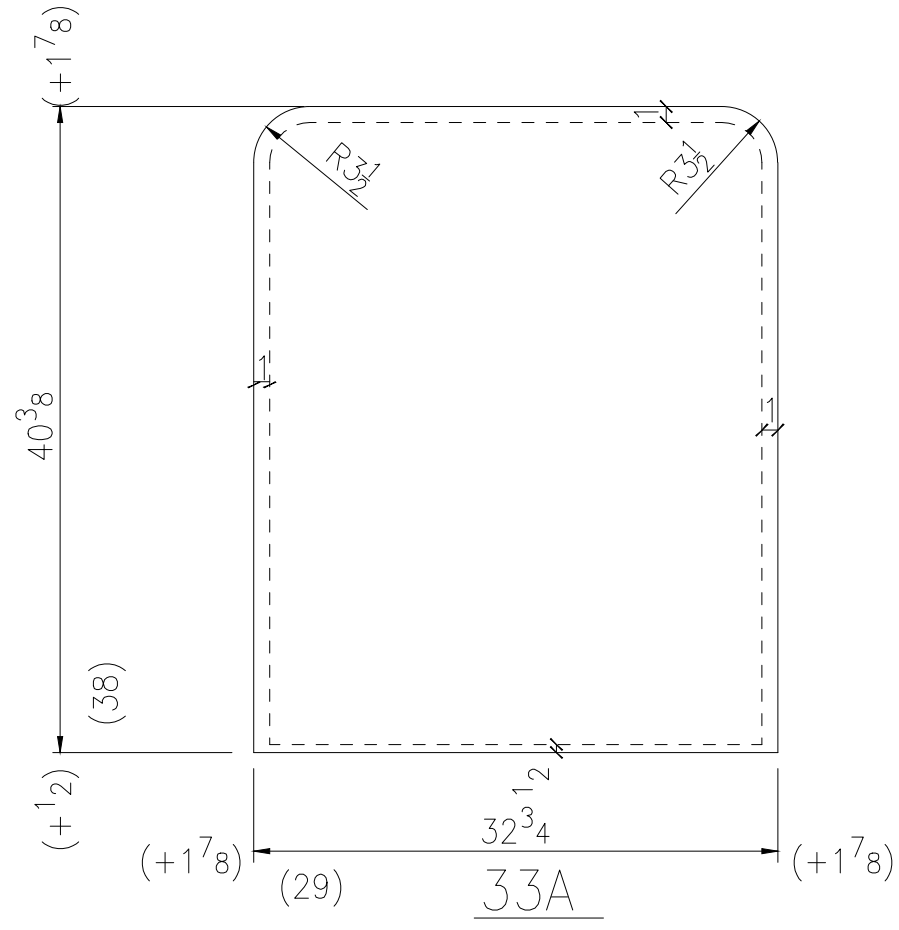
32A
2
FRONT & REAR
WINDOW SHADE



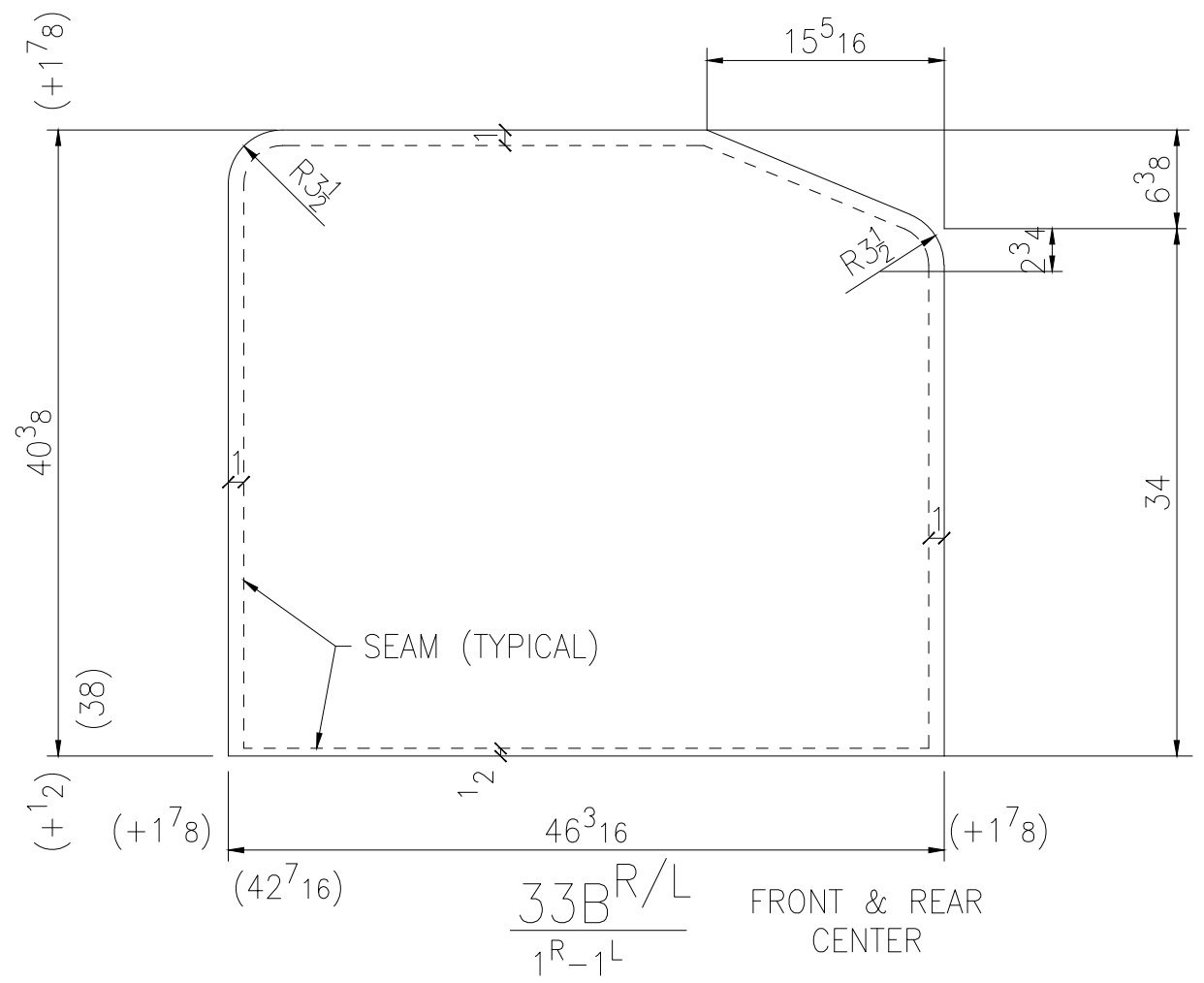
32B
ONE
RIGHT SIDE WINDOW SHADE

2 PLY = 18.0 oz VINYL COATED POLESTER + 600 DENIER URETHANE COATED

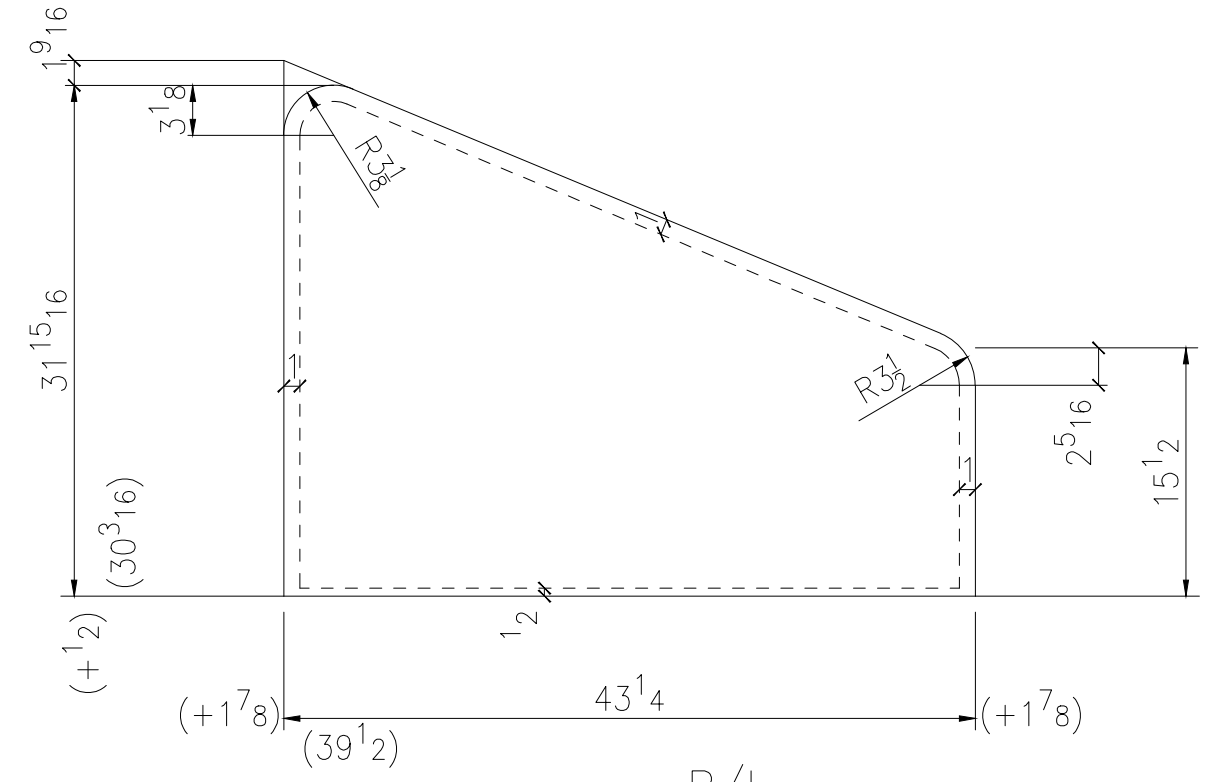
SHEET # 32	AutoSD, Inc. Meridian, MS	PROJECT	KING CAMP	DETAIL OF WINDOW SHADE PANELS 16A, 19A	DRAWN CRH	CHECKED
		MATERIAL	600 DENIER URETHANE COATED			



33A
ONE
DOOR WINDOW SHADE

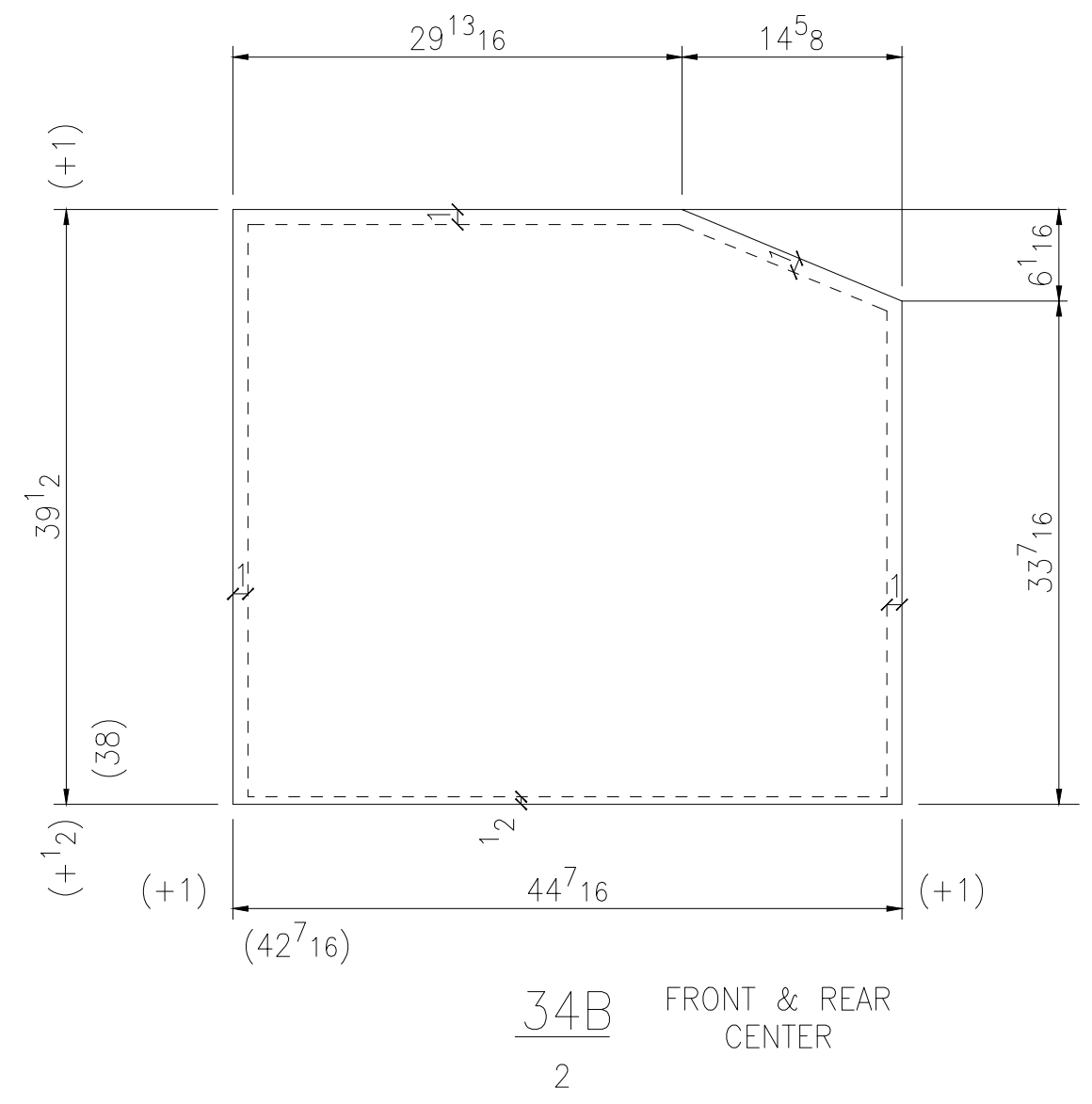
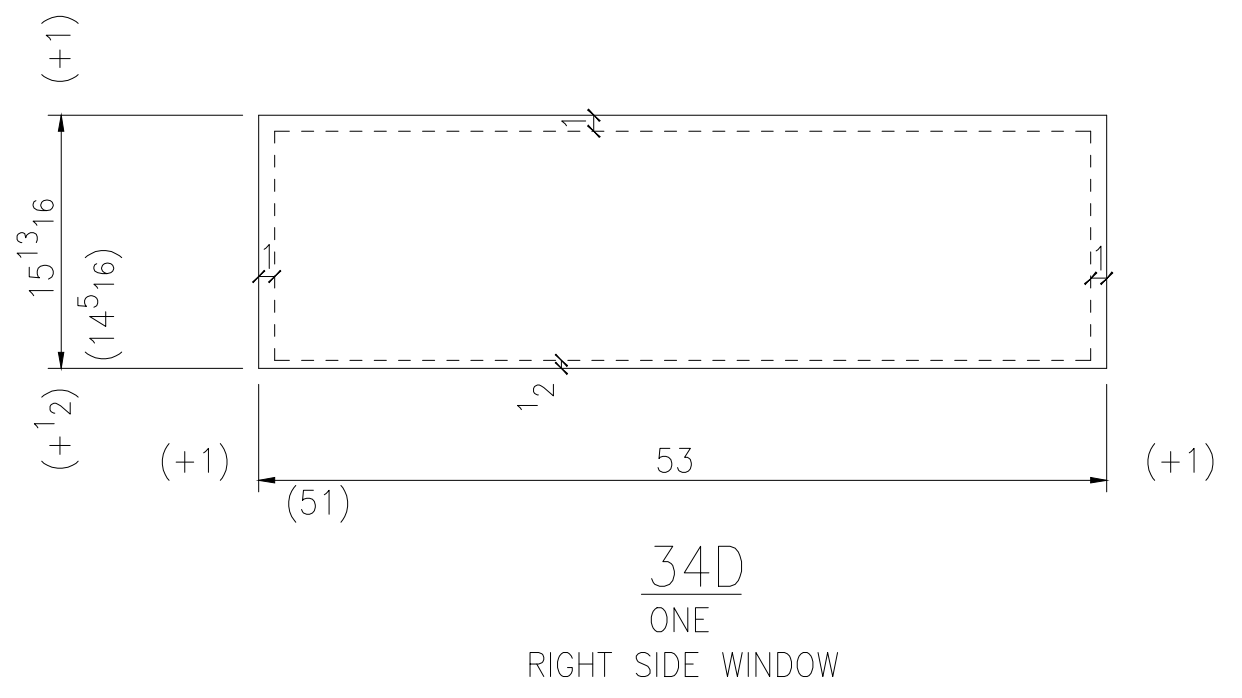
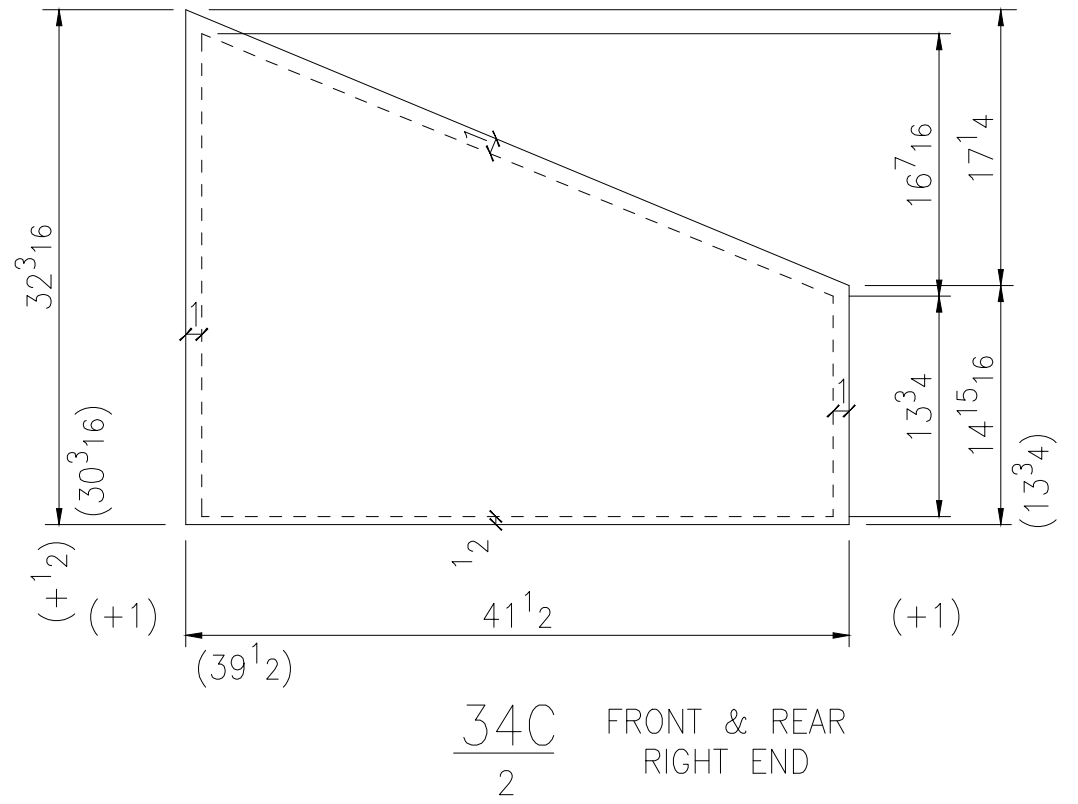
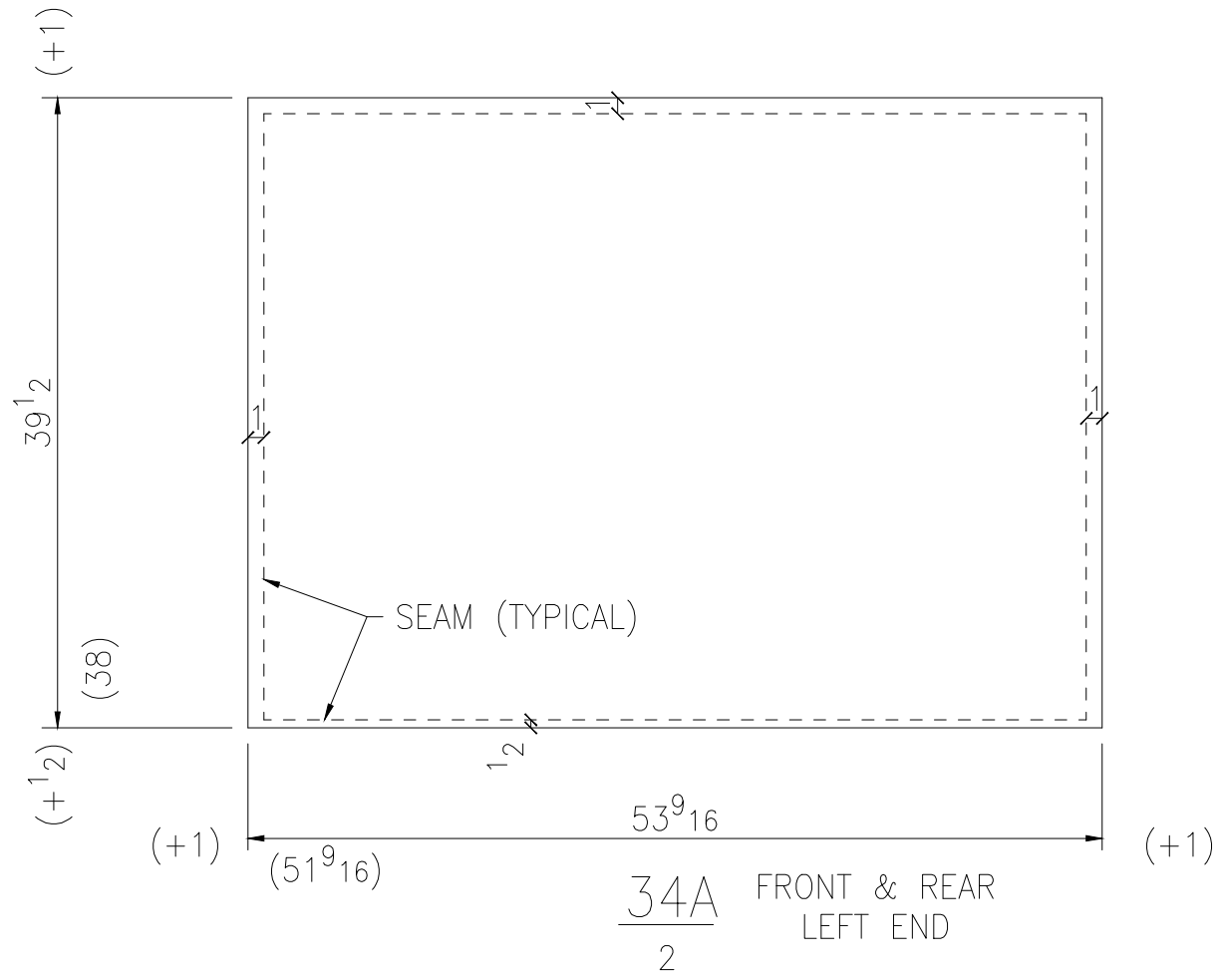


33B^{R/L}
1^R-1^L
FRONT & REAR
CENTER

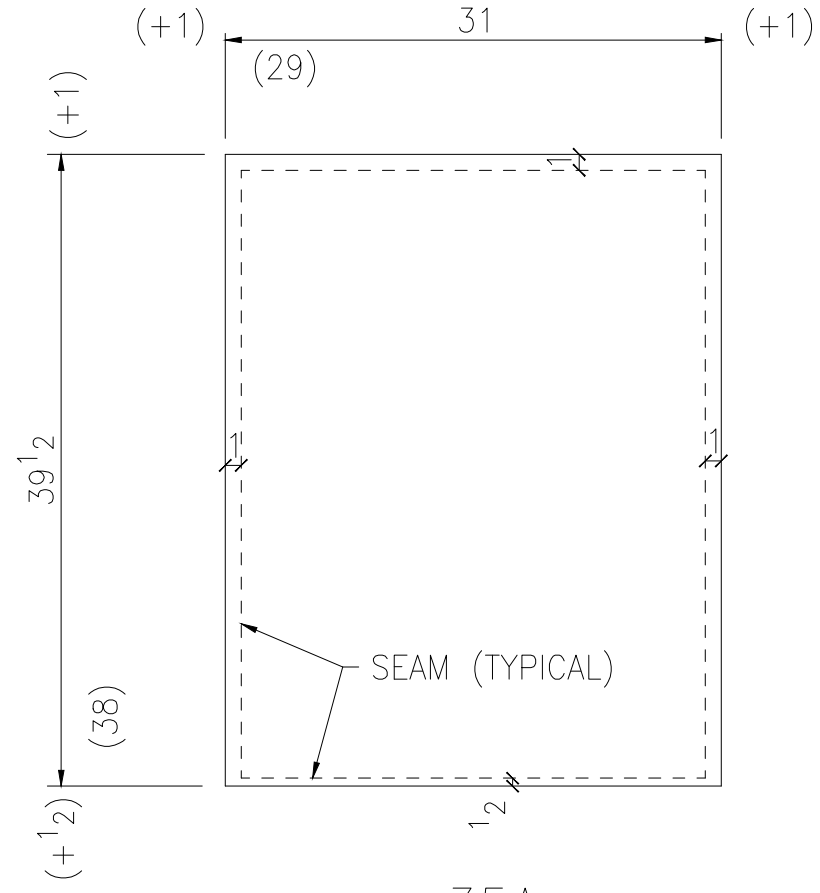


33C^{R/L}
1^R-1^L
FRONT & REAR
RIGHT END

SHEET # 33	AutoSD, Inc. Meridian, MS	PROJECT	KING CAMP	DRAWN CRH	CHECKED
		MATERIAL	600 DENIER URETHANE COATED		

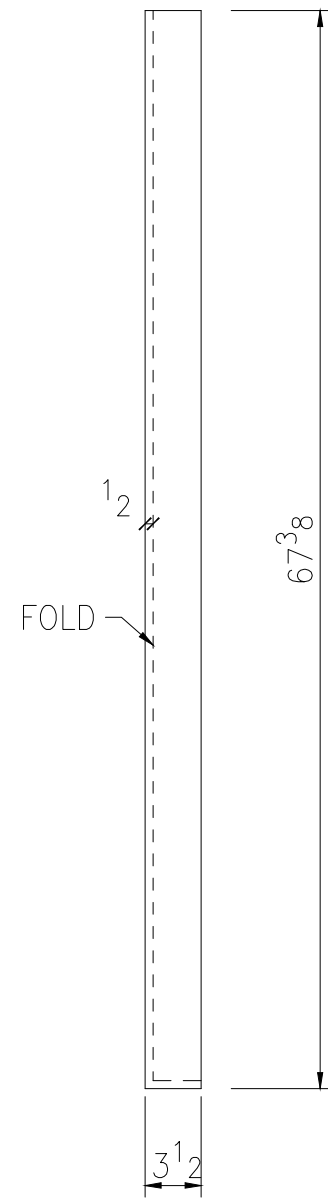


SHEET # 34	AutoSD, Inc. Meridian, MS		PROJECT	KING CAMP	DETAIL OF WINDOW SCREENS PANELS 16, 17, 18, 19	DRAWN	CHECKED
			MATERIAL	HEAVY MOSQUITO NETTING			CRH



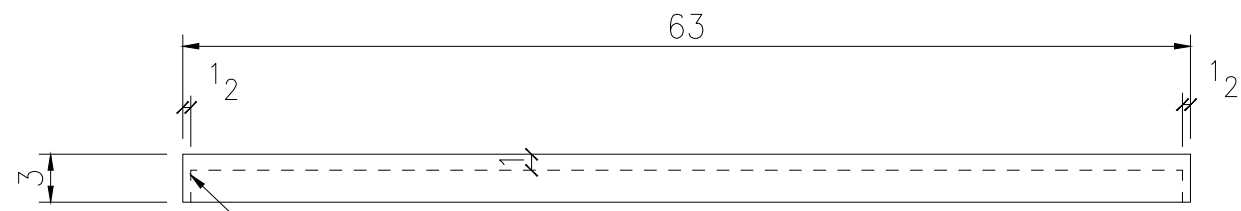
35A
ONE
DOOR SCREEN

SHEET # 35	AutoSD, Inc. Meridian, MS	PROJECT	KING CAMP	DETAIL OF DOOR SCREEN PANEL 15	DRAWN CRH	CHECKED
		MATERIAL	HEAVY MOSQUITO NETTING			

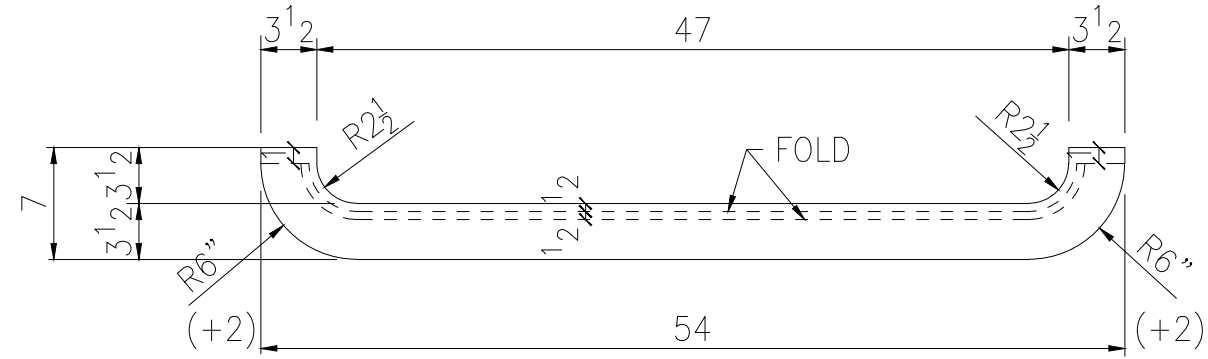


36A
2

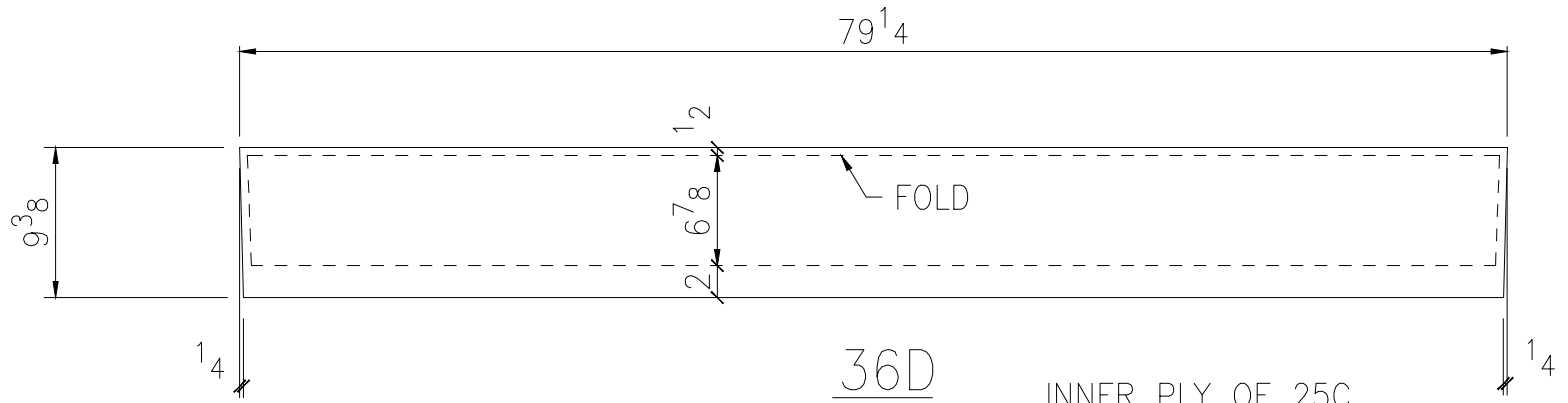
DOOR JAMB FLAP
INNER PLY OF 31A & 31B^{R/L}



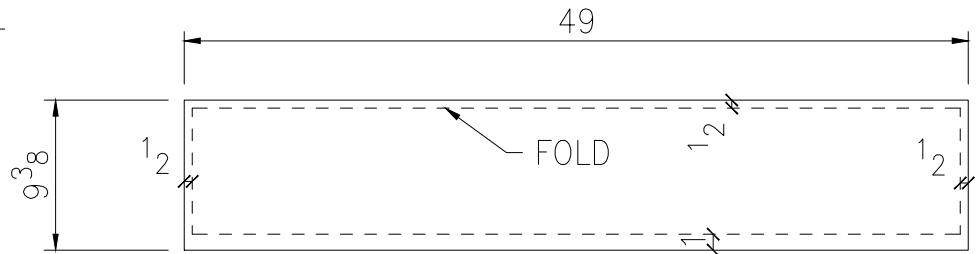
36B RIGHT SIDE WINDOW UPPER FLAP
ONE INNER PLY OF 25A



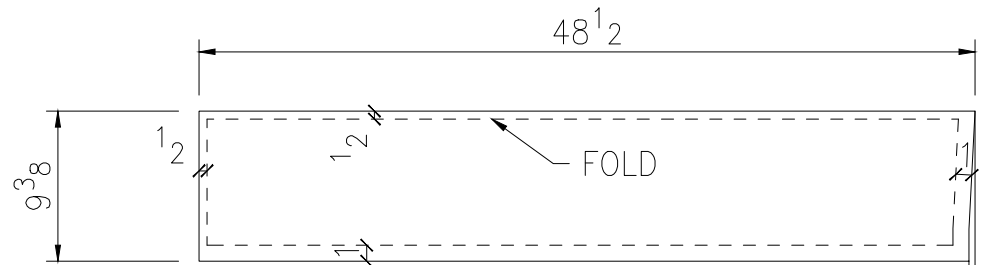
36C ONE DOOR BOTTOM FLAP
INNER PLY OF 31A



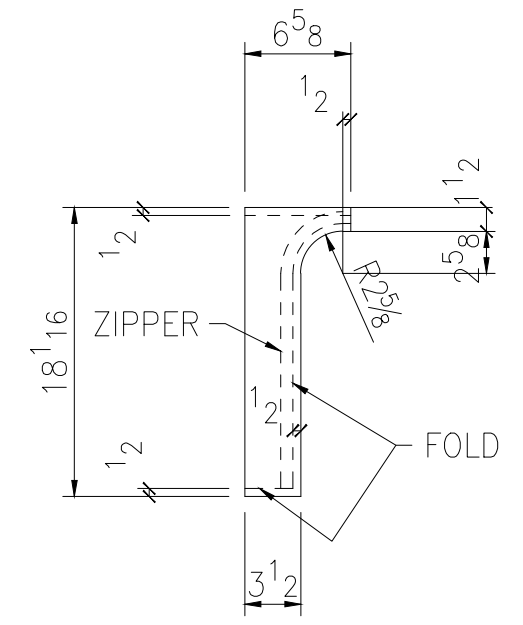
36D ONE INNER PLY OF 25C



36E ONE INNER PLY OF 24B & 24E

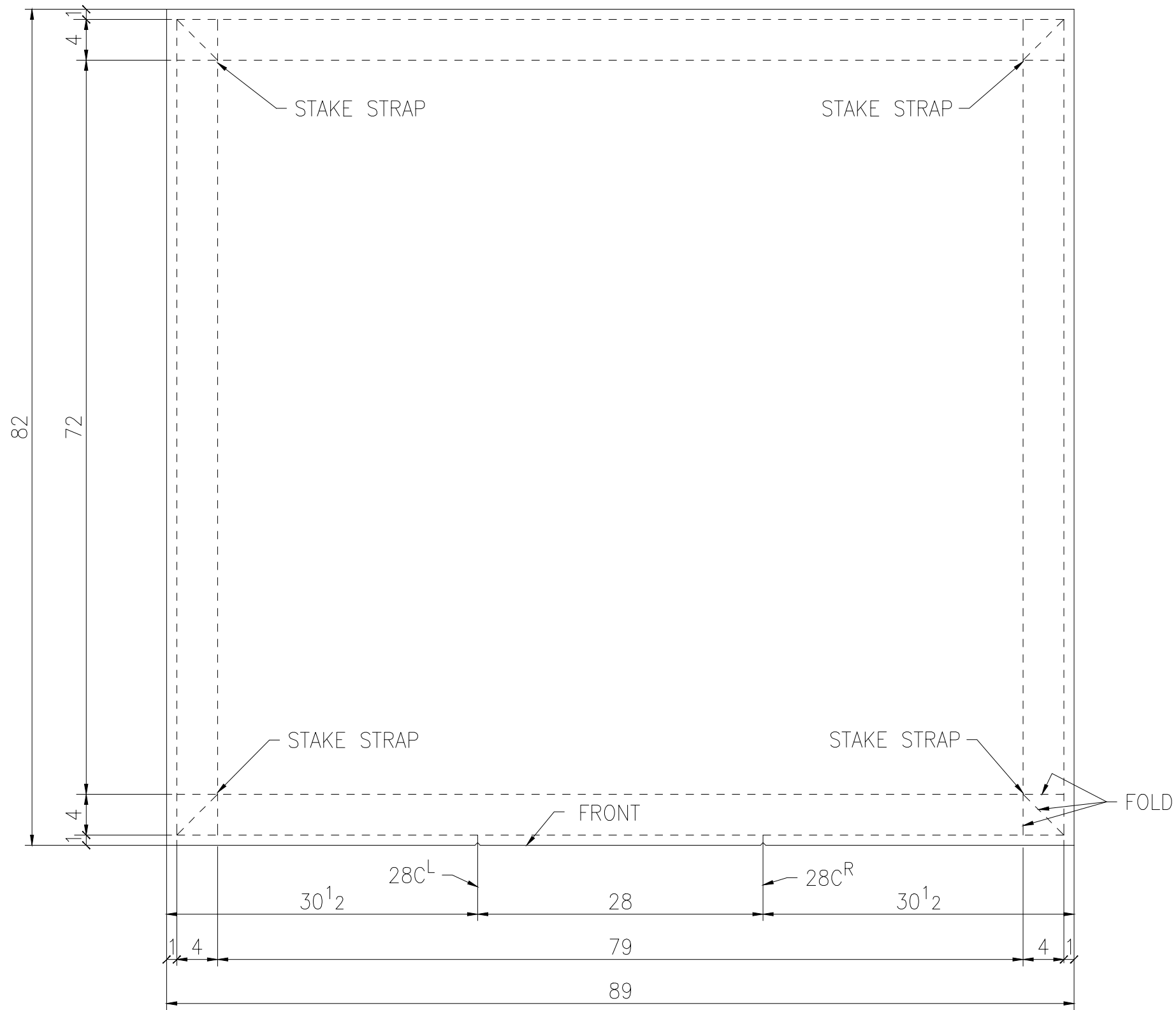


36G^{R/L} ONE INNER PLY OF 24C^{R/L} 3/8
1^R-1^L INNER PLY OF 2 PLY PANELS



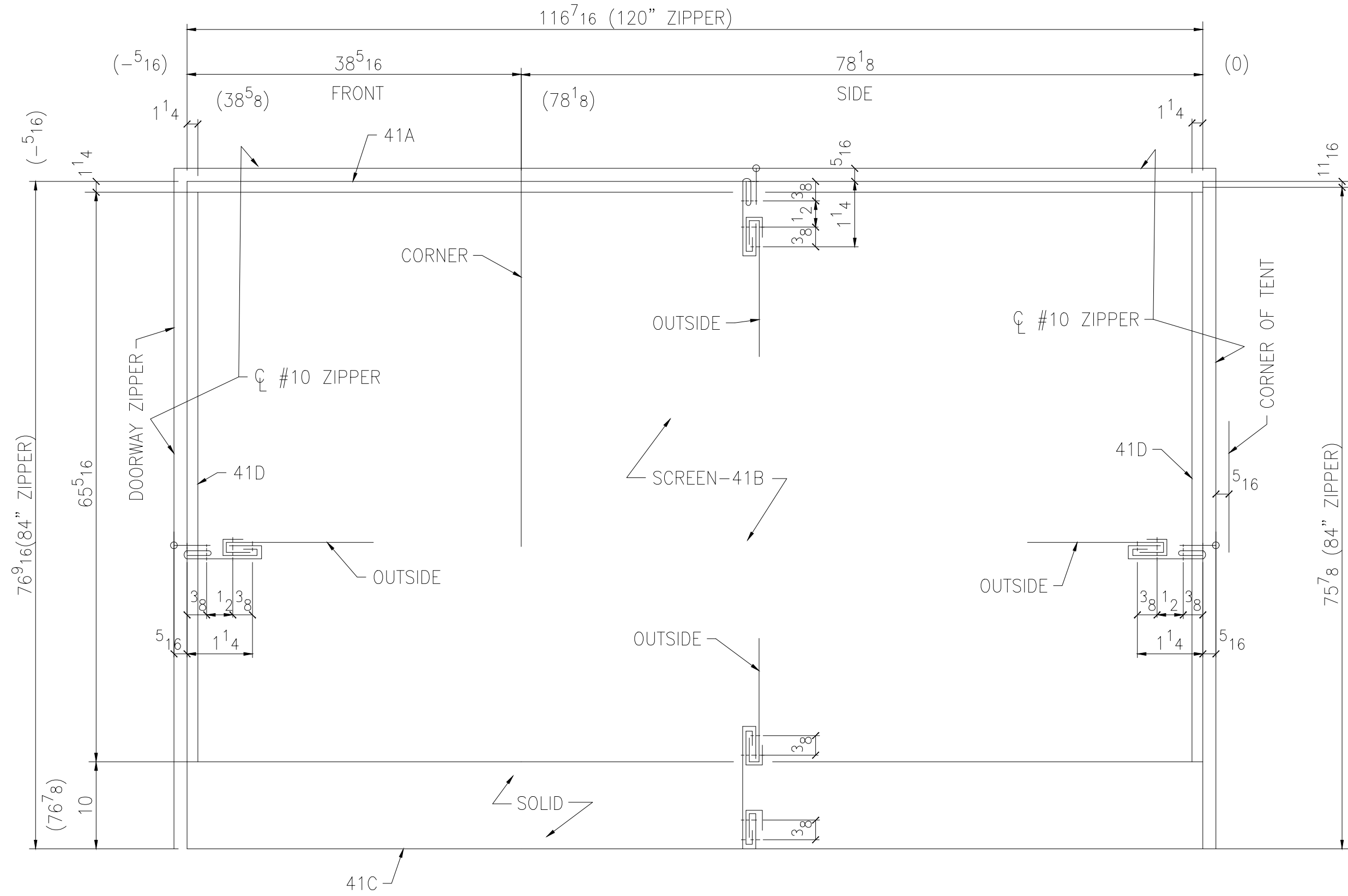
36F^{R/L} ONE RIGHT SIDE WINDOW SIDE FLAP
INNER PLY OF 26A

SHEET #	36
PROJECT	KING CAMP
MATERIAL	18.0 oz VINYL COATED POLYESTER
DETAIL OF INNER PLY OF PANELS	8, 11, 12, 14, 15, 20
DRAWN	CRH
CHECKED	



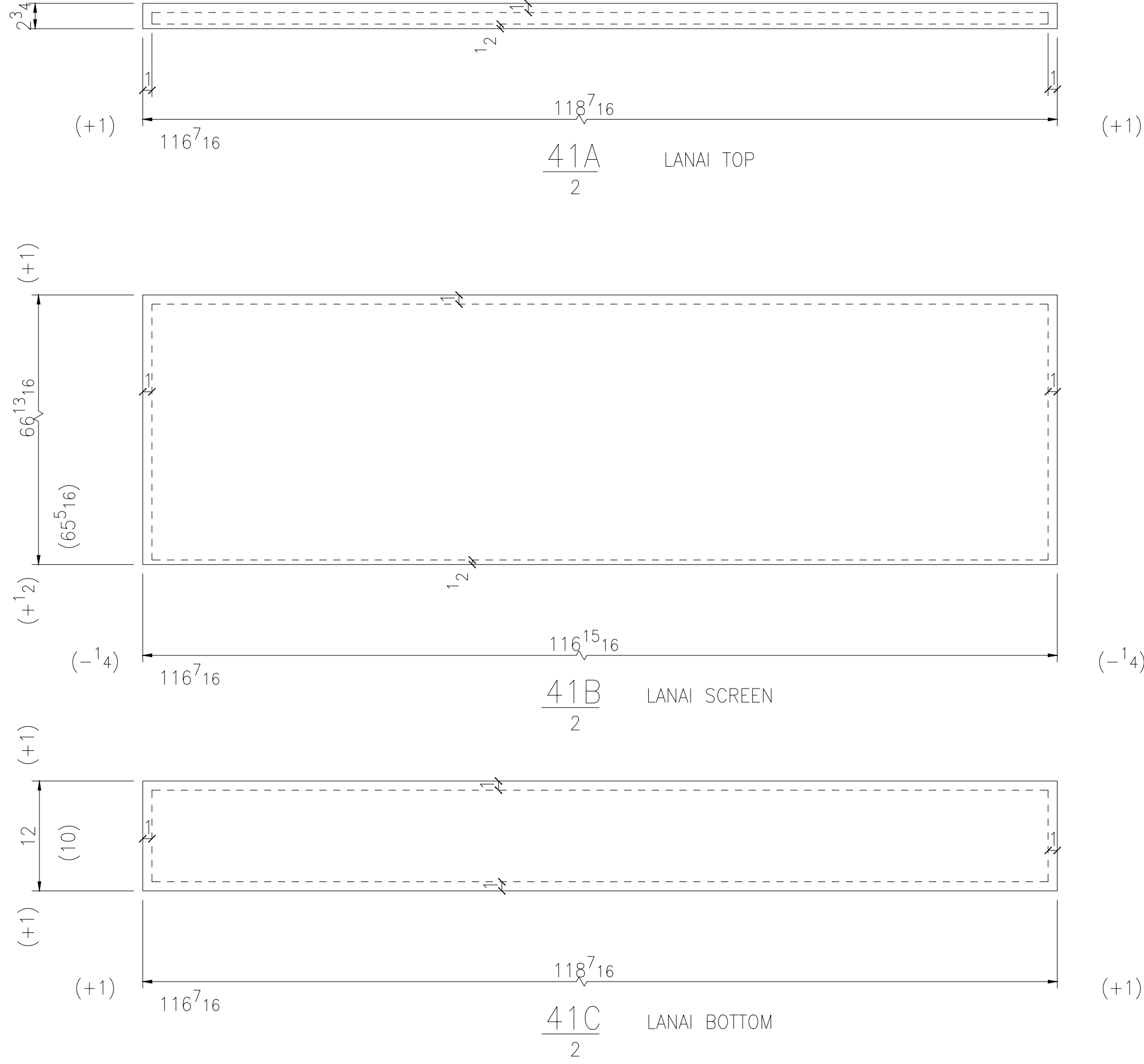
39A
ONE FLOOR

SHEET # 39	AutoSD, Inc. Meridian, MS	PROJECT	KING CAMP	DETAIL OF	FLOOR	COLOR	TAN/WHITE	DRAWN	CRH	CHECKED
		MATERIAL	18.0 oz VINYL COATED POLESTER							

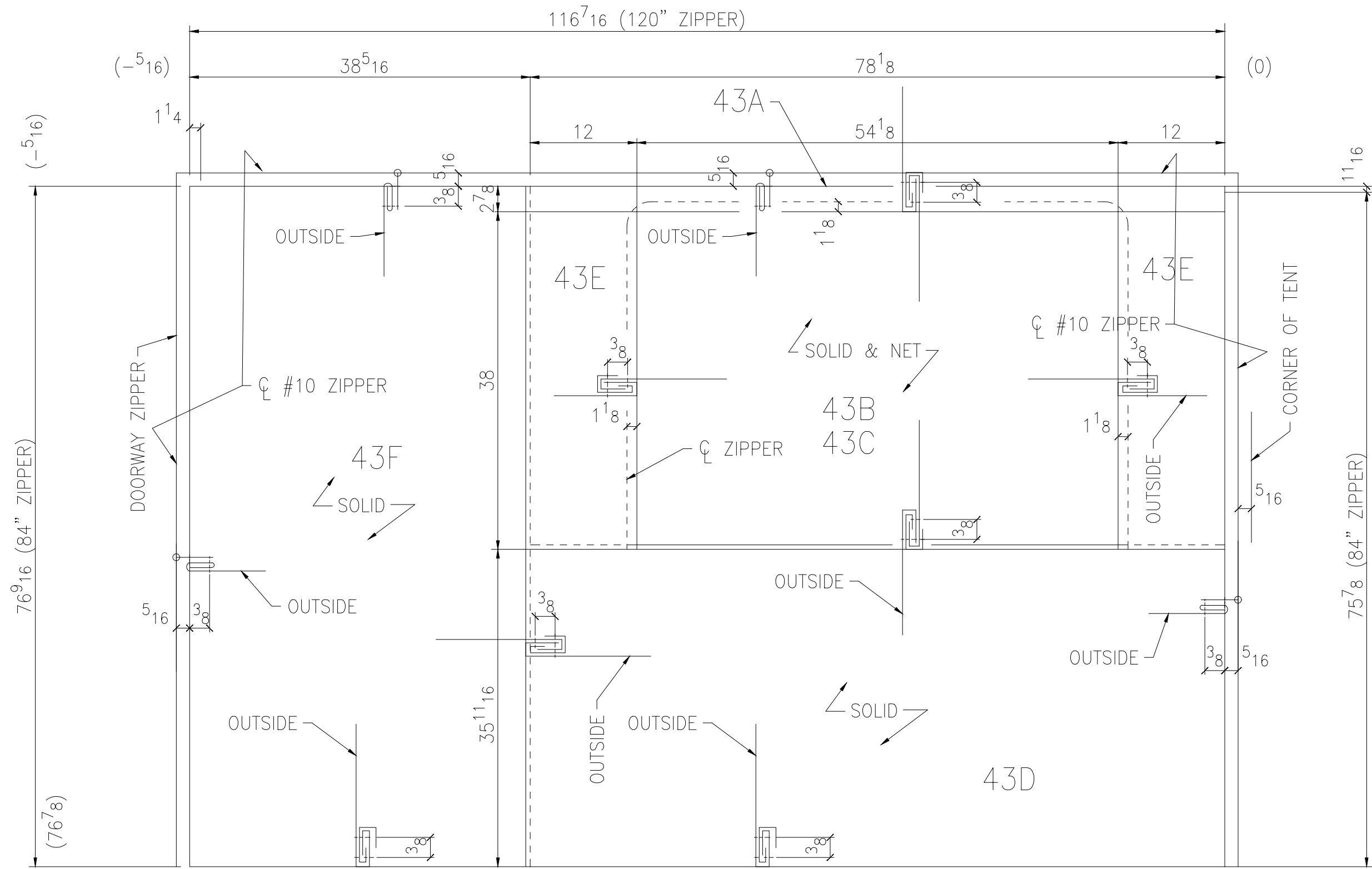


40A
2
LANAI SCREEN

SHEET #	40	PROJECT	KING CAMP	DETAIL OF	OPTIONAL LANAI SCREEN ROOM	DRAWN	CRH	CHECKED
			MATERIAL 600 DENIER URETHANE COATED & HEAVY MOSQUITO NETTING					

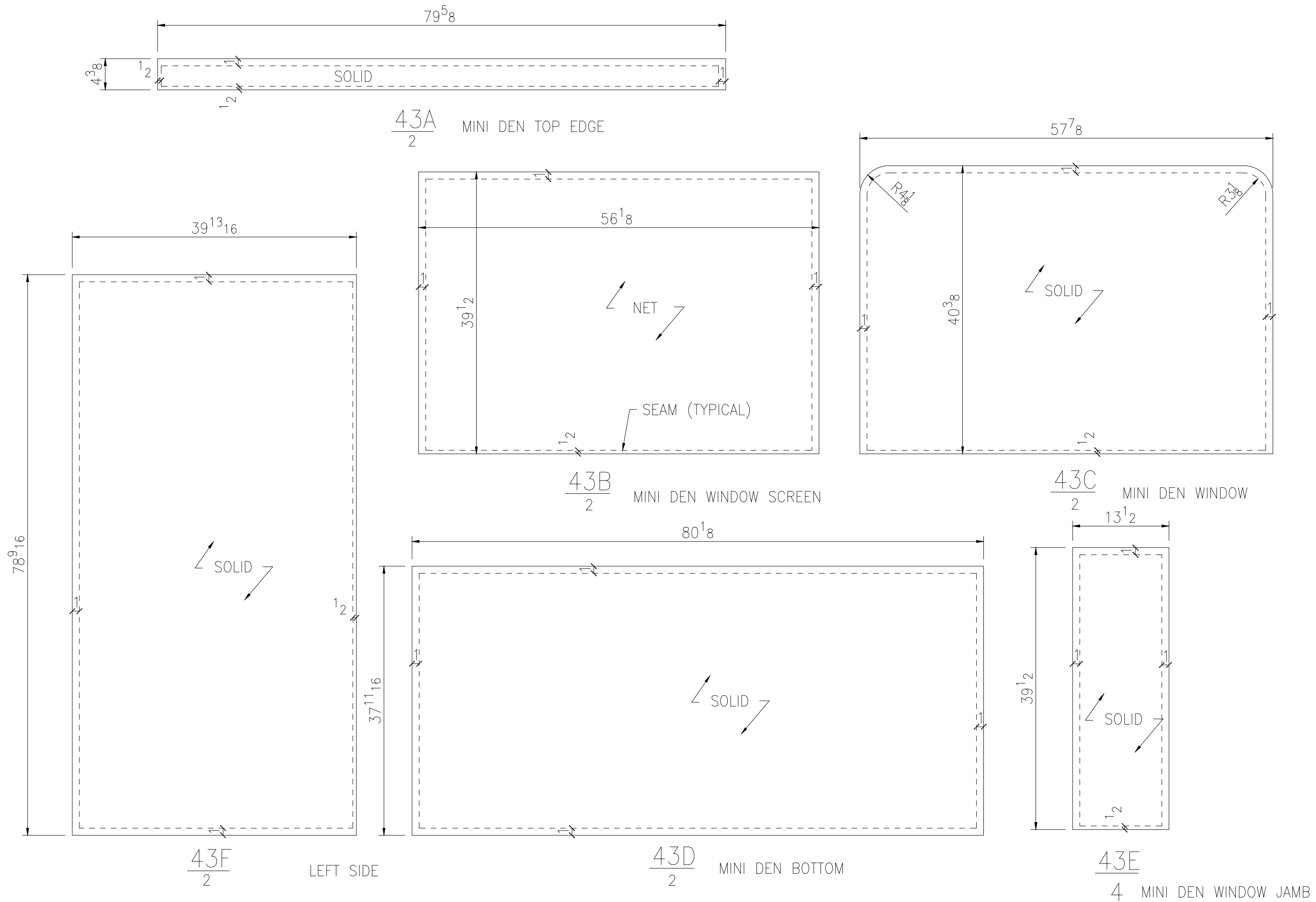


SHEET # 41	AutoSD, Inc. Meridian, MS	PROJECT	KING CAMP	DETAIL OF OPTIONAL LANAI SCREEN ROOM	DRAWN CRH	CHECKED
		MATERIAL	600 DENIER URETHANE COATED & HEAVY MOSQUITO NETTING			

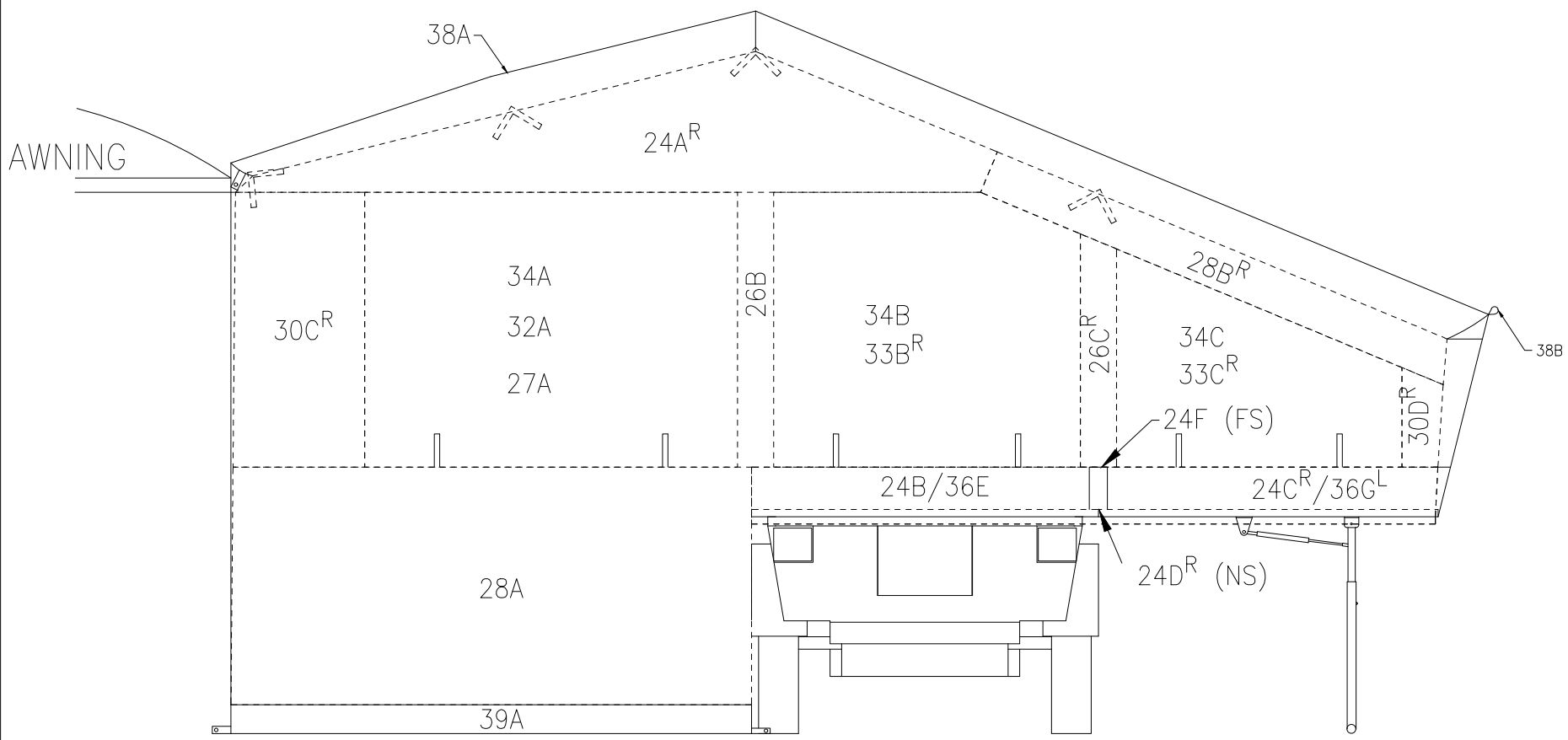


MINI DEN FRONT & REAR
 ASSEMBLY
 REAR AS SHOWN, FRONT OPP HAND

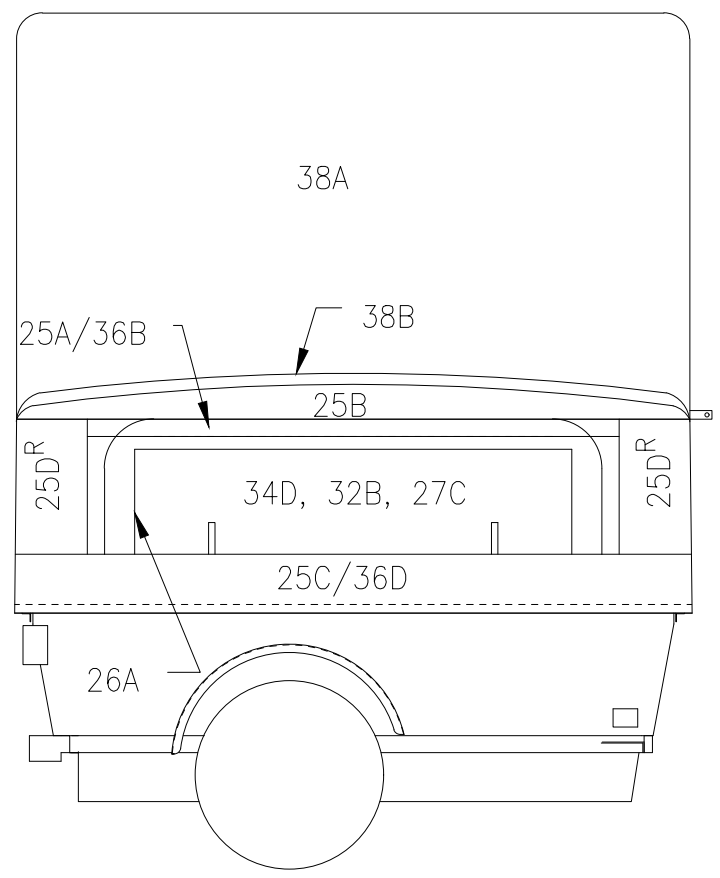
SHEET # 42	AutoSD, Inc. Meridian, MS	PROJECT	KING CAMP	DETAIL OF	OPTIONAL MINI DEN ROOM	DRAWN	CRH	CHECKED
		MATERIAL	600 DENIER URETHANE COATED & HEAVY MOSQUITO NETTING					



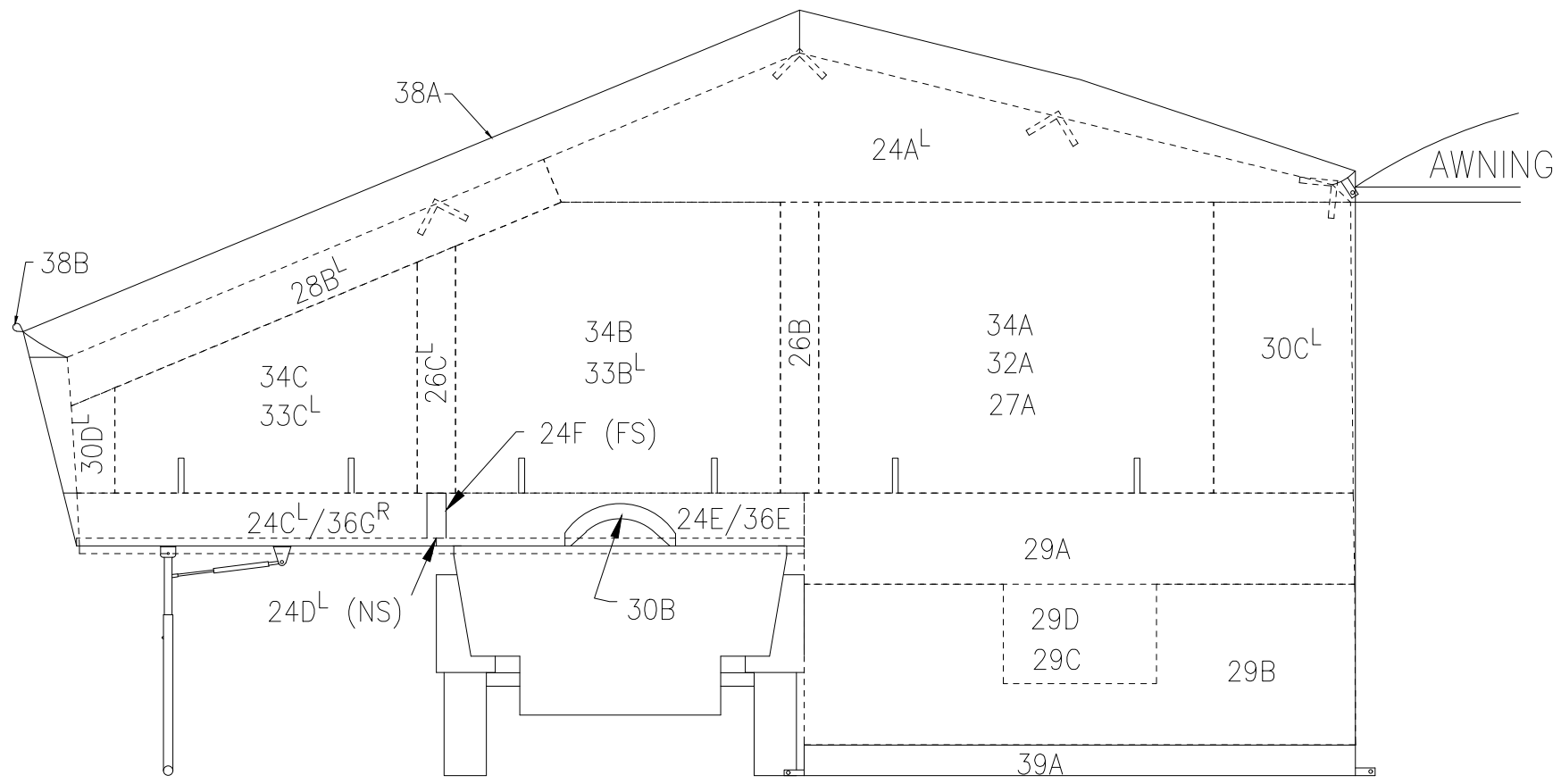
SHEET # 43	AutoSD, Inc. Meridian, MS	PROJECT	KING CAMP	DETAIL OF	OPTIONAL MINI DEN ROOM	DRAWN	CRH	CHECKED
		MATERIAL 600 DENIER URETHANE COATED & HEAVY MOSQUITO NETTING						



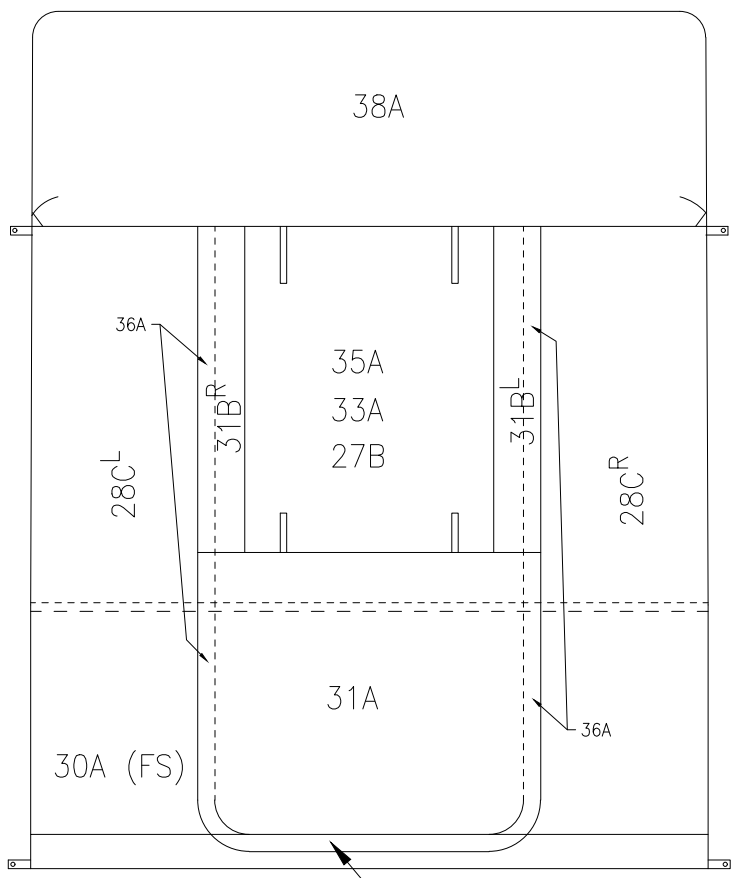
REAR VIEW



RIGHT SIDE VIEW

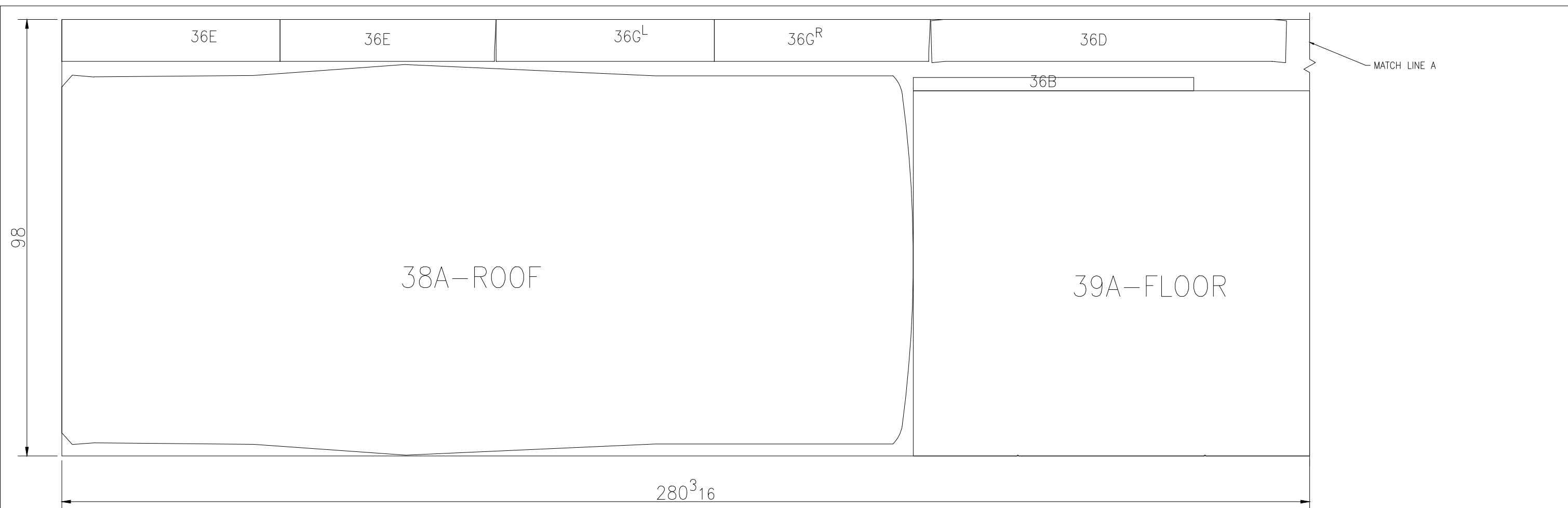


FRONT VIEW

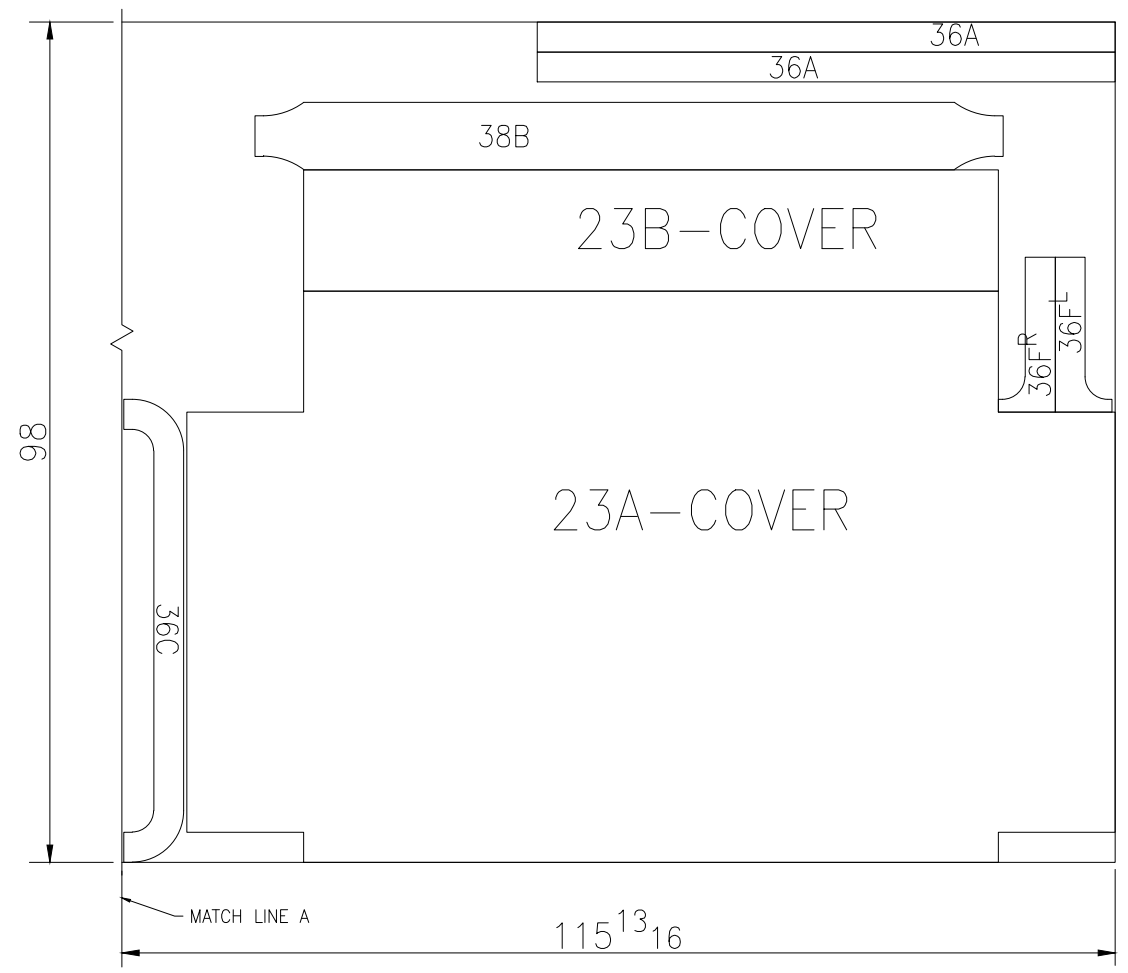


LEFT SIDE VIEW

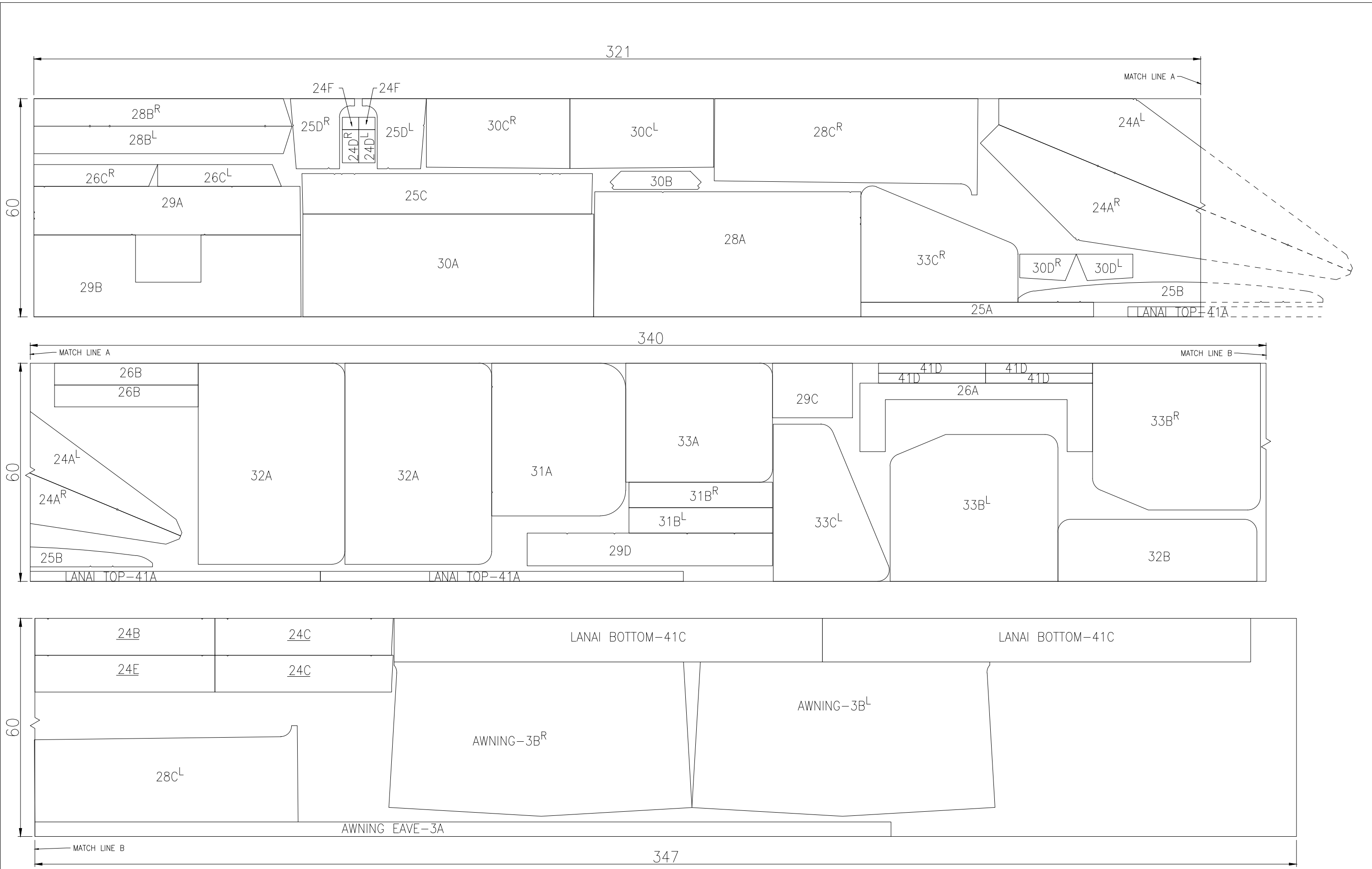
SHEET #	44	PROJECT	KING CAMP	DETAIL OF	PANEL PLACEMENT	DRAWN	CRH	CHECKED
			MATERIAL					



11 YDS



SHEET #	45	PROJECT	KING CAMP	DETAIL OF	ROOF, FLOOR & COVER	DRAWN	CRH	CHECKED
		MATERIAL	18 oz VINYL COATED POLESTER					
		AutoSD, Inc.						
		Meridian, MS						



321

MATCH LINE A

340

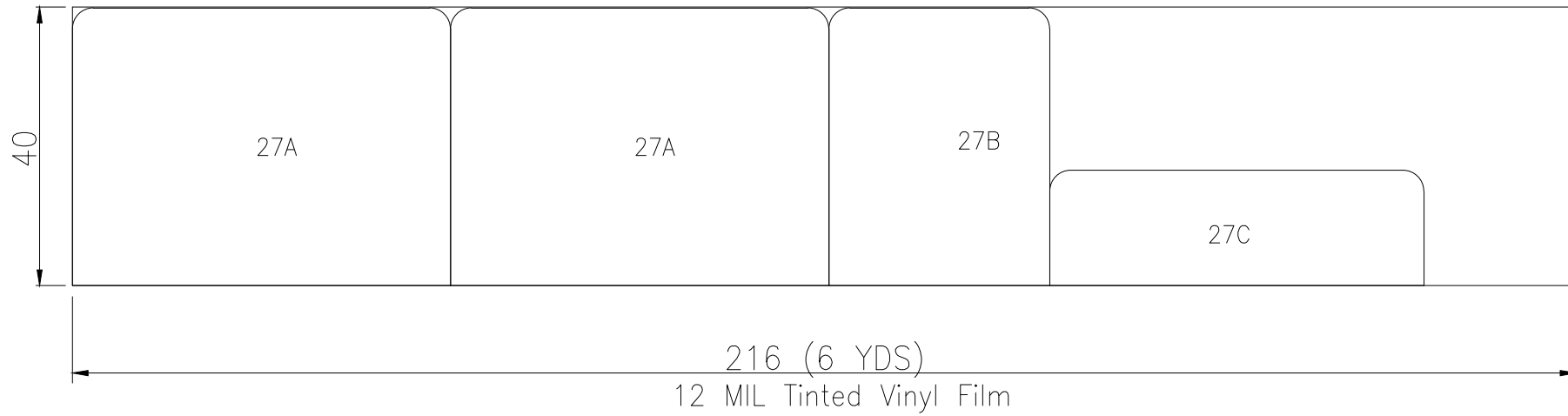
MATCH LINE B

347

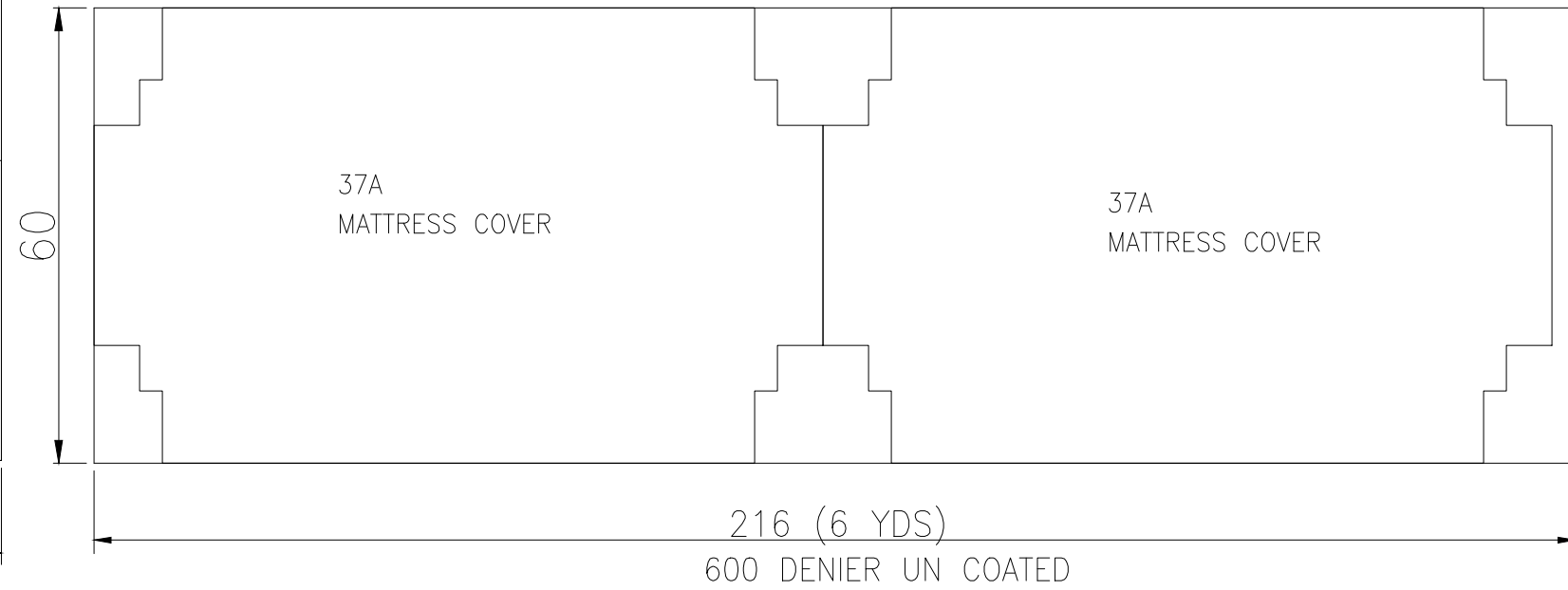
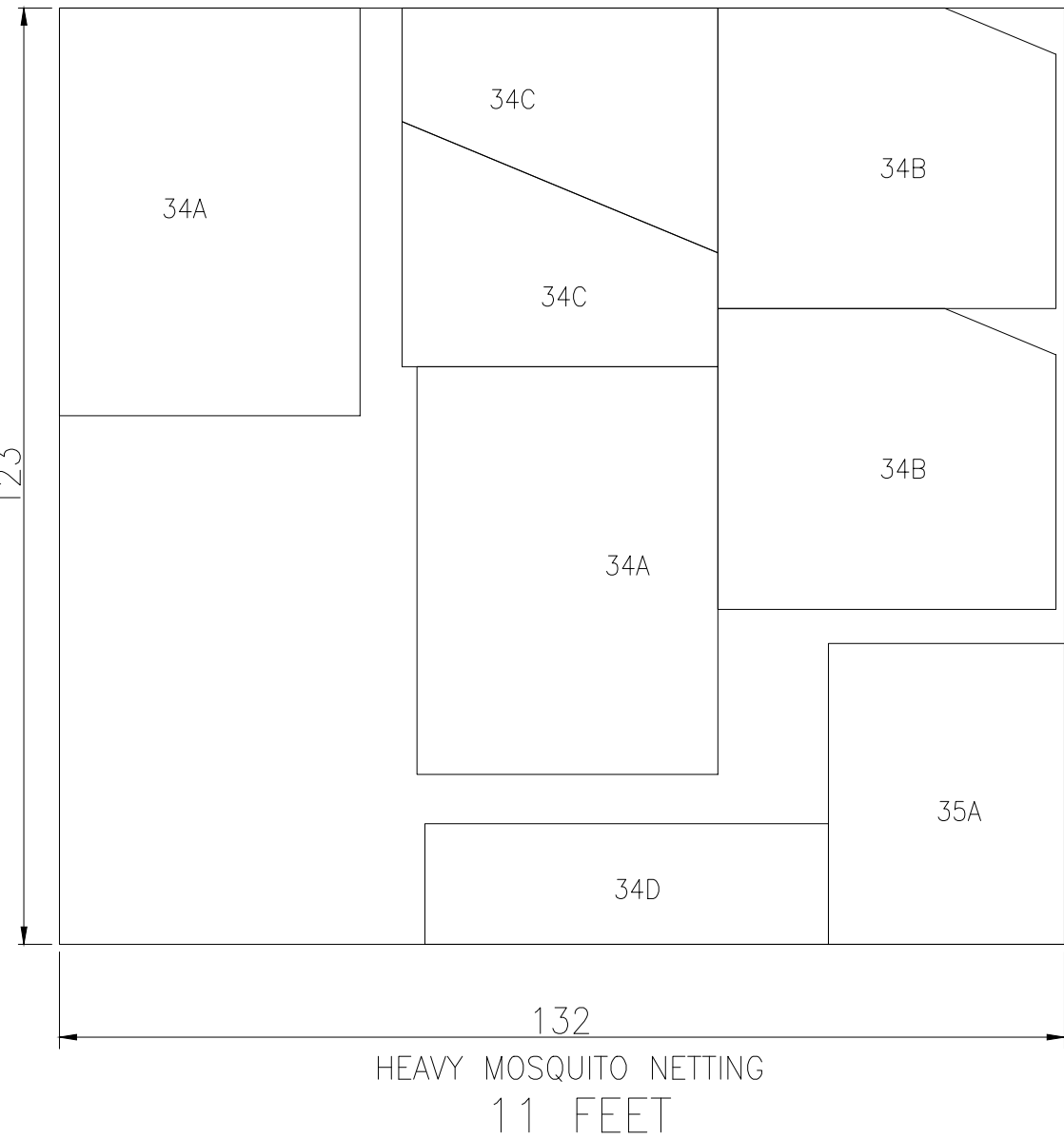
28 YDS

SHEET #	46
PROJECT	KING CAMP
MATERIAL	600 DENIER URETHANE COATED
DETAIL OF	SIDING LAYOUT
DRAWN	CRH
CHECKED	

AutoSD, Inc.
Meridian, MS



<http://veada.com/product/19-Tent-Camper-Materials/172--40-Tinted-Vinyl-Window-Smoked-Glass-Film-by-the-Yard.html>



CHECKED

DRAWN
CRH

DETAIL OF
MATTRESS COVER &
WINDOWS LAYOUT

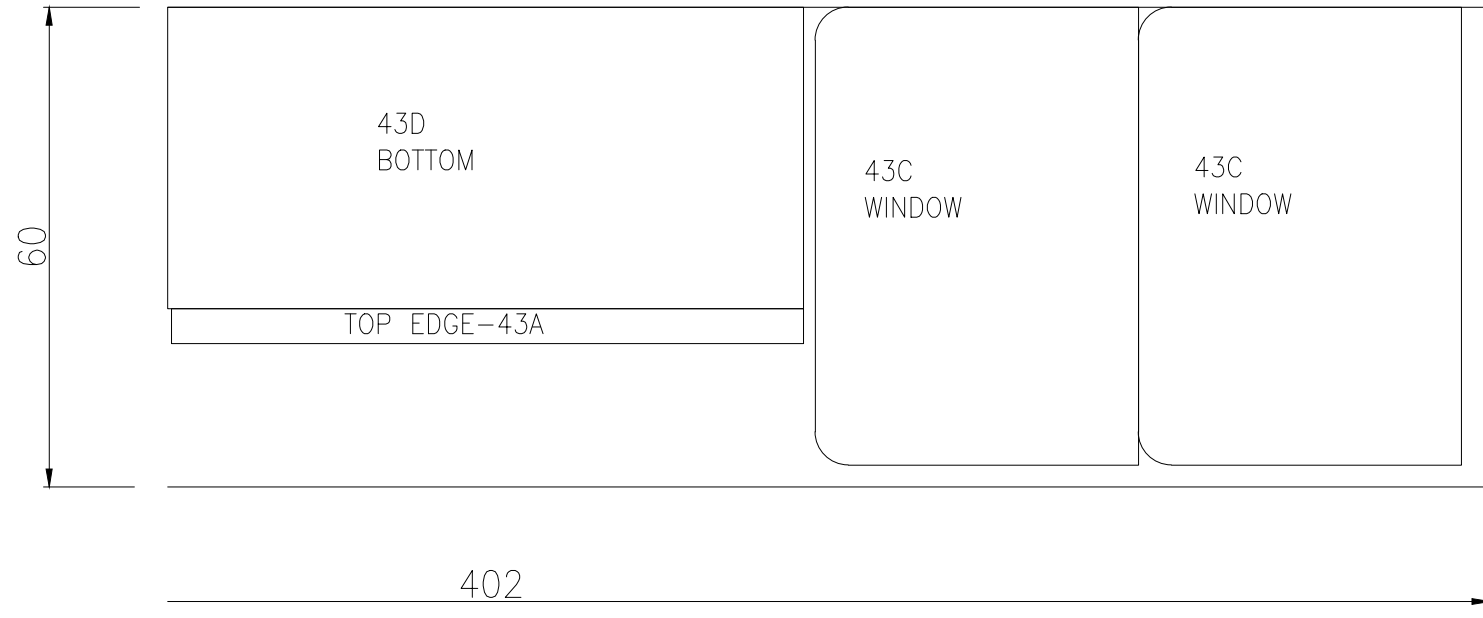
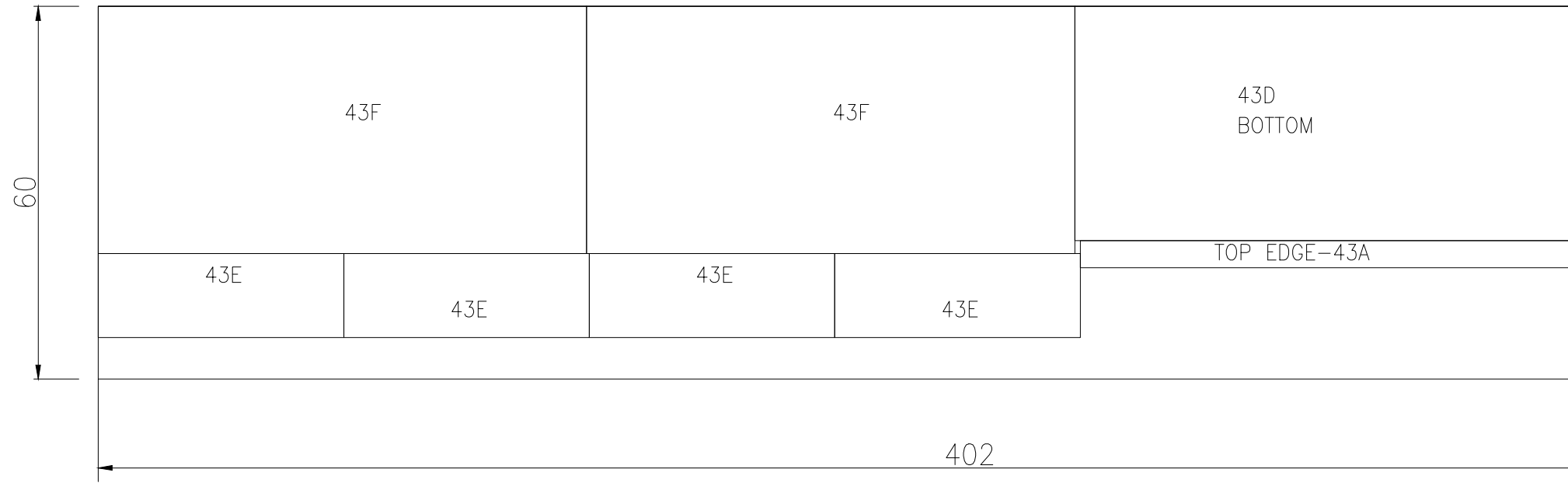
PROJECT KING CAMP

MATERIAL

AutoSD, Inc.
Meridian, MS

SHEET #

47



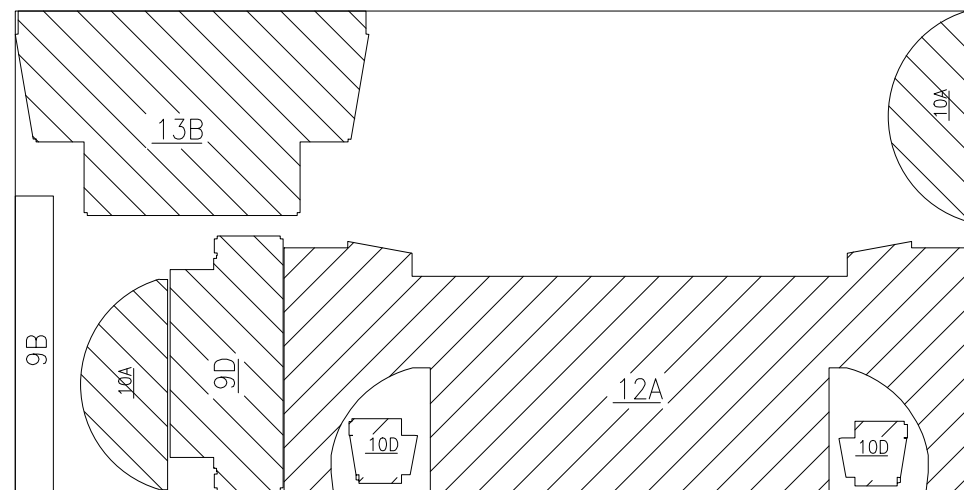
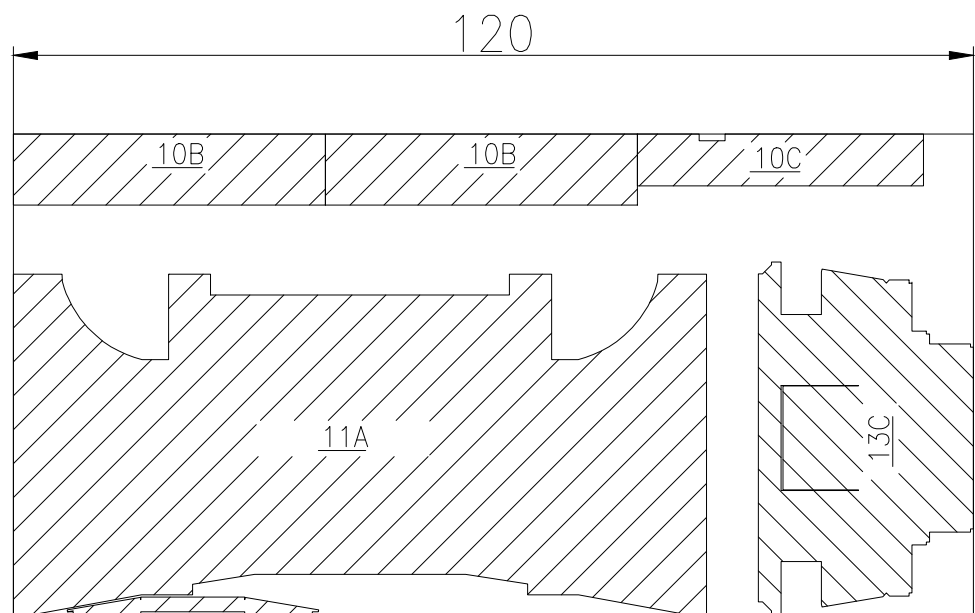
11¹/₄ YDS FOR MINI DEN & LANAI ENDS

SHEET #	48
PROJECT	KING CAMP
MATERIAL	600 DENIER URETHANE COATED
DETAIL OF MINI DEN LAYOUT	
DRAWN	CRH
CHECKED	

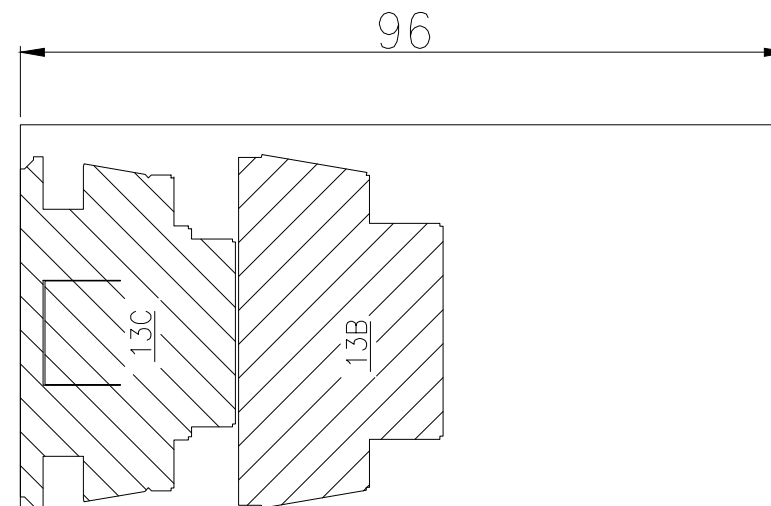
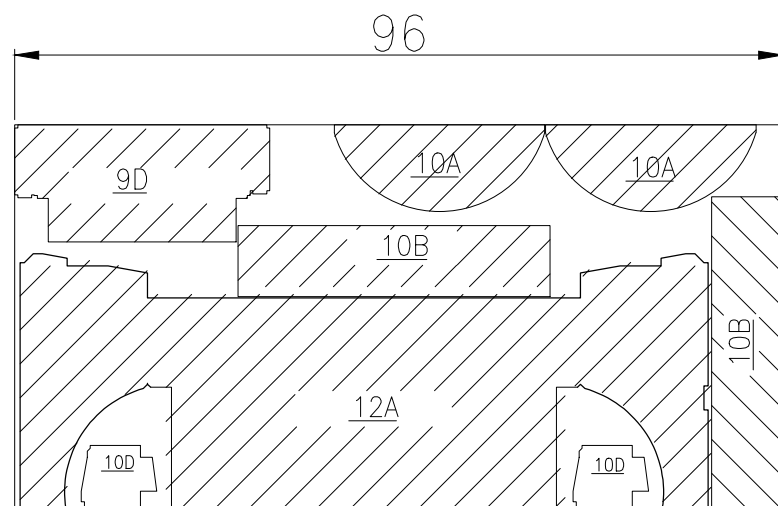
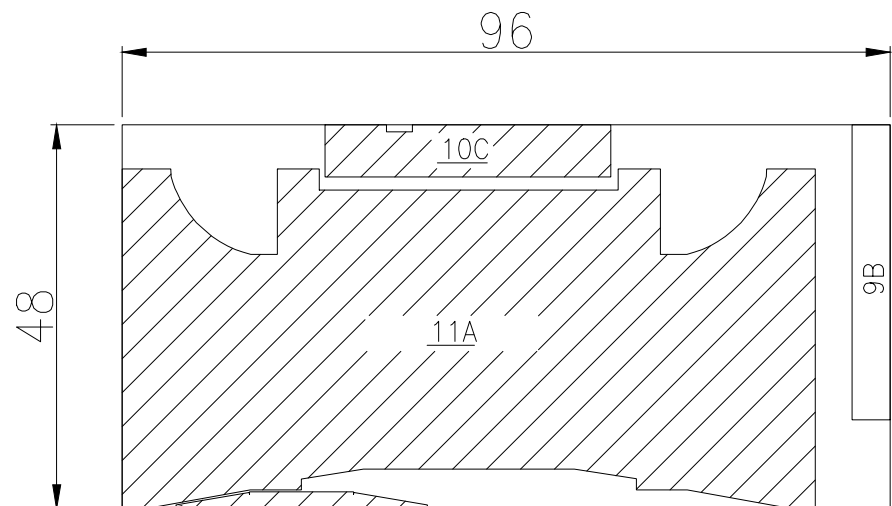


HEAVY MOSQUITO NETTING FOR LANAI & MINI DEN
15 FEET

SHEET # 49	AutoSD, Inc. Meridian, MS		PROJECT	KING CAMP	DETAIL OF LANAI & MINI DEN LAYOUT	DRAWN	CHECKED
			MATERIAL	HEAVY MOSQUITO NETTING			CRH



OPTION 4 - 5'x10' SHEETS



OPTION 5 - 4'x8' SHEETS

SHEET #	AutoSD, Inc. Meridian, MS	PROJECT	KING CAMP	DETAIL OF	DRAWN	CHECKED
51		MATERIAL	3003 H22	ALTERNATE BODY PANEL LAYOUTS	CRH	